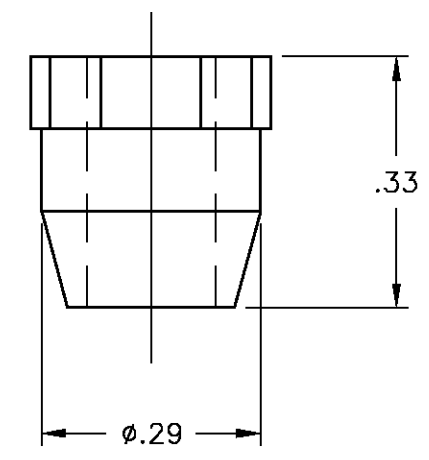
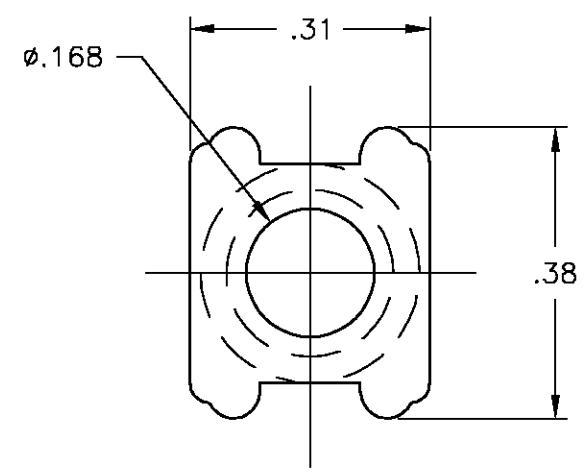


THIS DRAWING IS UNPUBLISHED. RELEASED FOR PUBLICATION
 © COPYRIGHT - BY TYCO ELECTRONICS CORPORATION. ALL RIGHTS RESERVED.

LOC	DIST	REVISIONS			
P	LTR	DESCRIPTION	DATE	DWN	APVD
	0	REVISED PER 0G3B-0139-05	2/10/05	SS	SRY

NOTES:
 1. MATERIAL: NYLON, BLACK.
 2. FOR USE WITH SSB6 & SSB7 BARRIER STRIPS.



L91	5-1437402-1
CATALOG NUMBER	PART NUMBER

THIS DRAWING IS A CONTROLLED DOCUMENT.		DWN S SCHLEGEL 2/10/05	BUCHANAN Tyco Electronics Corporation Harrisburg, Pa 17105-3608		
DIMENSIONS: INCHES		CHK S YODER 2/10/05			
		APVD S YODER 2/10/05	NAME VERTICAL BUSHING		
TOLERANCES UNLESS OTHERWISE SPECIFIED:		PRODUCT SPEC	-		
0 PLC ± -		APPLICATION SPEC	-		
1 PLC ± -		WEIGHT	-		
2 PLC ± .015		SIZE	CAGE CODE	DRAWING NO	RESTRICTED TO
3 PLC ± .005		A3	00779	C-5-1437402-1	-
4 PLC ± -		CUSTOMER DRAWING			
ANGLES ± 1'		SCALE	SHEET	OF	REV
MATERIAL - 1		NTS	1	1	0
FINISH -					