

4

3

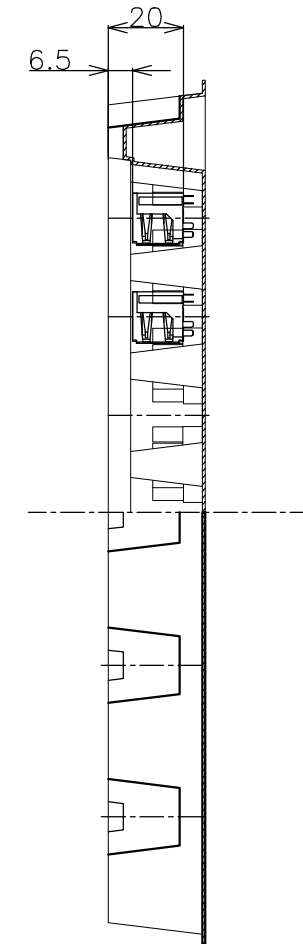
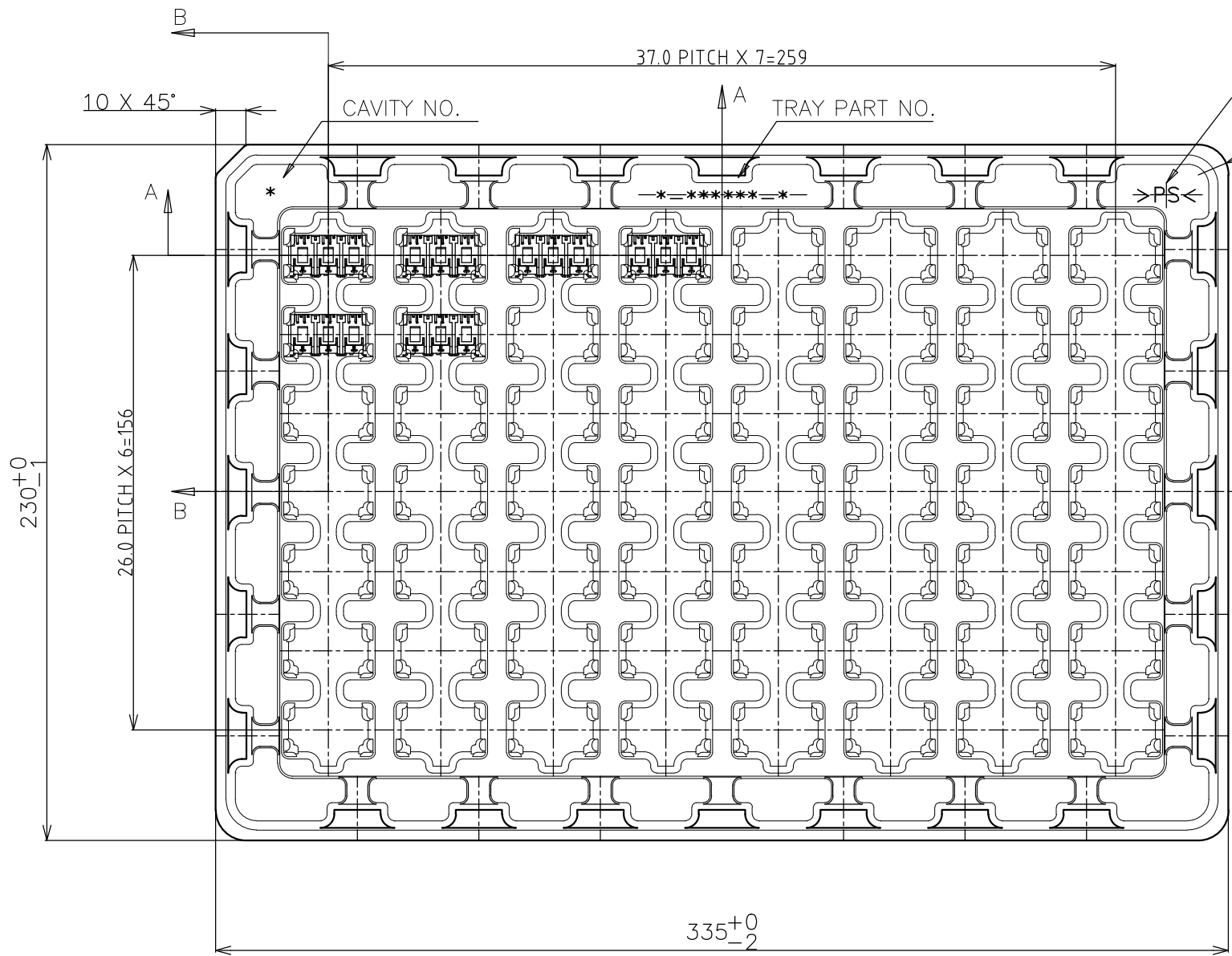
2

1

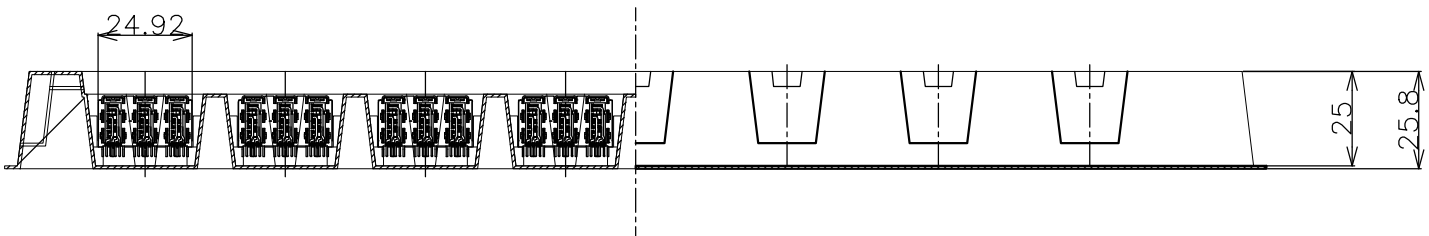
THIS DRAWING IS UNPUBLISHED. RELEASED FOR PUBLICATION

© COPYRIGHT 2004 BY TYCO ELECTRONICS CORPORATION. ALL RIGHTS RESERVED.

LOC	DIST	REVISIONS					
		P	LTR	DESCRIPTION	DATE	DWN	APVD
J	/	A1		REVISED ECR-15-016523	16NOV15	T.Z	H.W



SECTION B-B



SECTION A-A

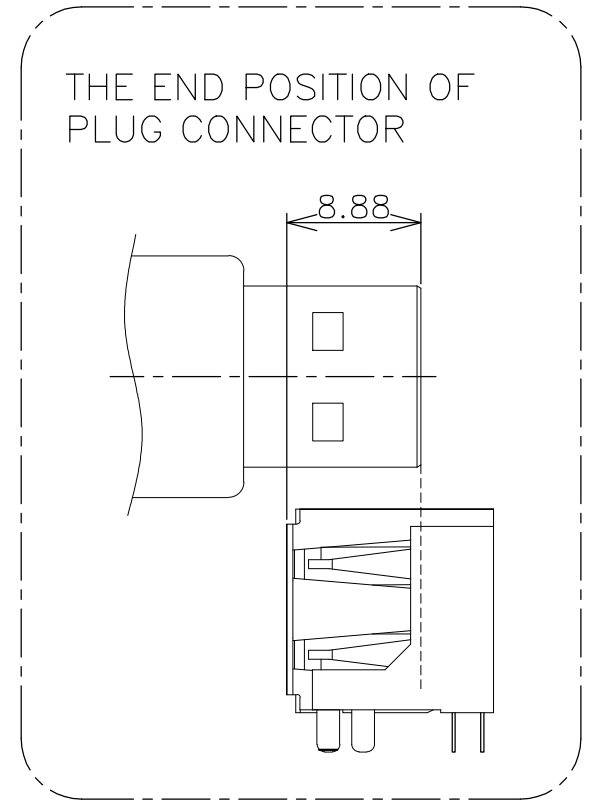
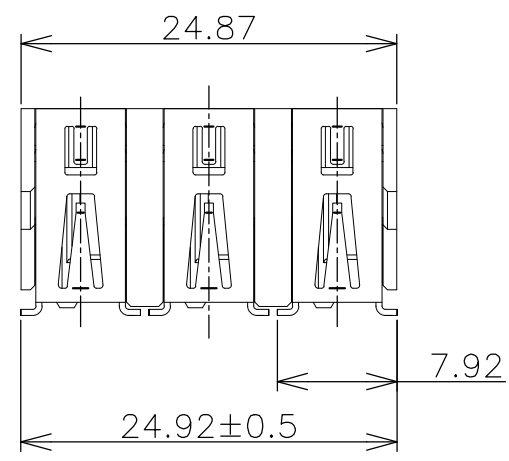
(A)	OBSOLETE	(A)	1674453-3
		FINISH	PART NO.

THIS DRAWING IS A CONTROLLED DOCUMENT.		DWN LEO ZHOU 13DEC04	<b>tyco</b> <b>Electronics</b>	Tyco Electronics AMP K.K.	
		CHK STEVEN YAO 13DEC04		Kawasaki, Japan	
DIMENSIONS: MM		APVD I. ENOMOTO 13DEC04	NAME		
TOLERANCES UNLESS OTHERWISE SPECIFIED:		PRODUCT SPEC	HARD TRAY ASSY USB CONNECTOR REC 3P		
0 PLC ± 0.3		APPLICATION SPEC	SIZE	CAGE CODE	DRAWING NO
1 PLC ± 0.3		WEIGHT	A3	00779	C-1674453
2 PLC ± 0.3			RESTRICTED TO		
3 PLC ± 0.3			SCALE 2:1 SHEET 1 OF 3 REV A1		
4 PLC ± 0.3					
ANGLES ± 3'					
MATERIAL	FINISH	CUSTOMER DRAWING			
(1)	(2)				

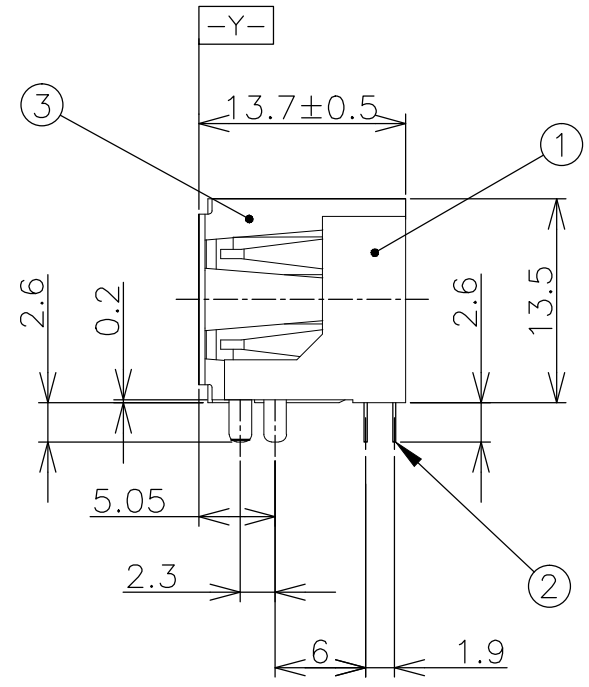
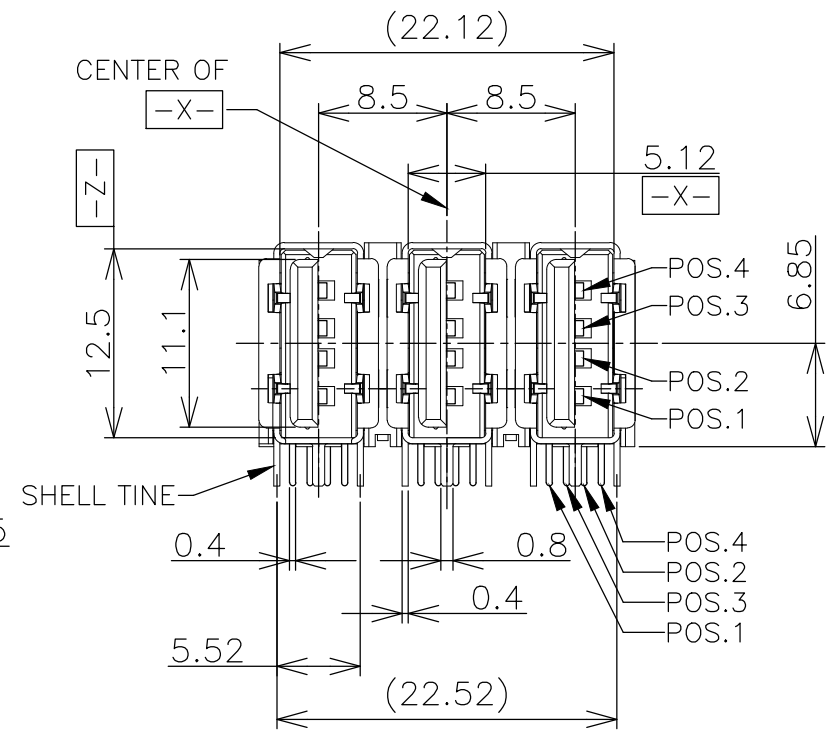
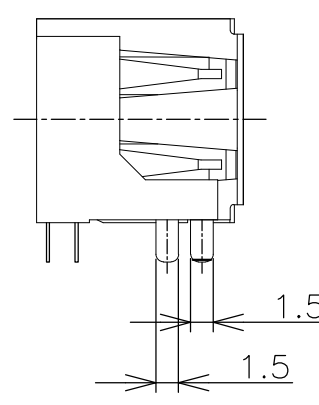
THIS DRAWING IS UNPUBLISHED. RELEASED FOR PUBLICATION  
 © COPYRIGHT 2004 BY TYCO ELECTRONICS CORPORATION. ALL RIGHTS RESERVED.

LOC	DIST	REVISIONS			
P	LTR	DESCRIPTION	DATE	DWN	APVD
J	/	SEE SHEET 1			

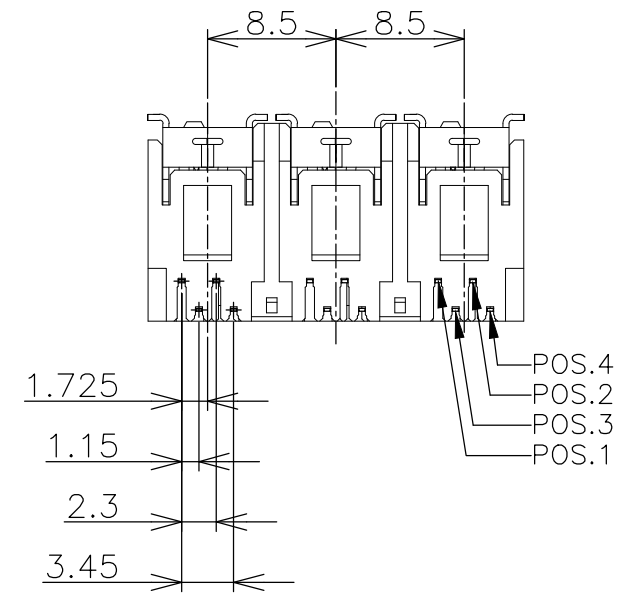
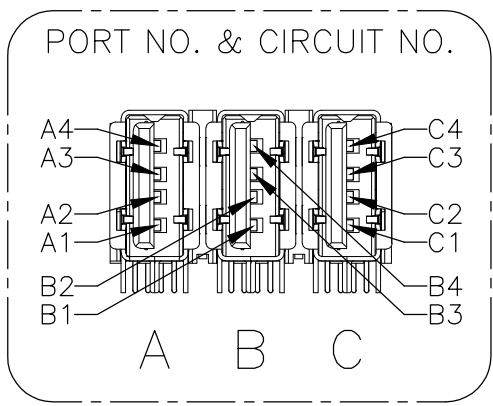
FRONT SHELL	③
CONTACT	②
HOUSING	①
NAME	ITEM No.



THE END POSITION OF PLUG CONNECTOR



- ① MATERIAL  
 HOUSING:THERMO-PLASTICS UL94V-0 NATURAL  
 CONTACT:COPPER ALLOY  
 FRONT SHELL:COPPER ALLOY
- ② FINISH  
 CONTACT:NICKEL UNDER PLATE ALL OVER.  
 CONTACT AREA:GOLD PLATE  
 TINE AREA:TIN PLATE  
 FRONT SHELL:TIN PLATE



THIS DRAWING IS A CONTROLLED DOCUMENT.

DIMENSIONS: MM	TOLERANCES UNLESS OTHERWISE SPECIFIED:
	0 PLC ± 0.3
	1 PLC ± 0.3
	2 PLC ± 0.3
	3 PLC ± 0.3
	4 PLC ± 0.3
	ANGLES ± 3°

DWN	CHK	APVD	PRODUCT SPEC	APPLICATION SPEC	WEIGHT	Tyco Electronics AMP K.K. Kawasaki, Japan	
NAME						HARD TRAY ASSY USB CONNECTOR REC 3P	
SIZE	CAGE CODE	DRAWING NO		RESTRICTED TO			
A3	00779	C-1674453				SCALE	SHEET
CUSTOMER DRAWING						2:1	2 OF 3
						REV	A1

