

# Test Procedure for the NCP3063 Boost – DFN



9/27/2006

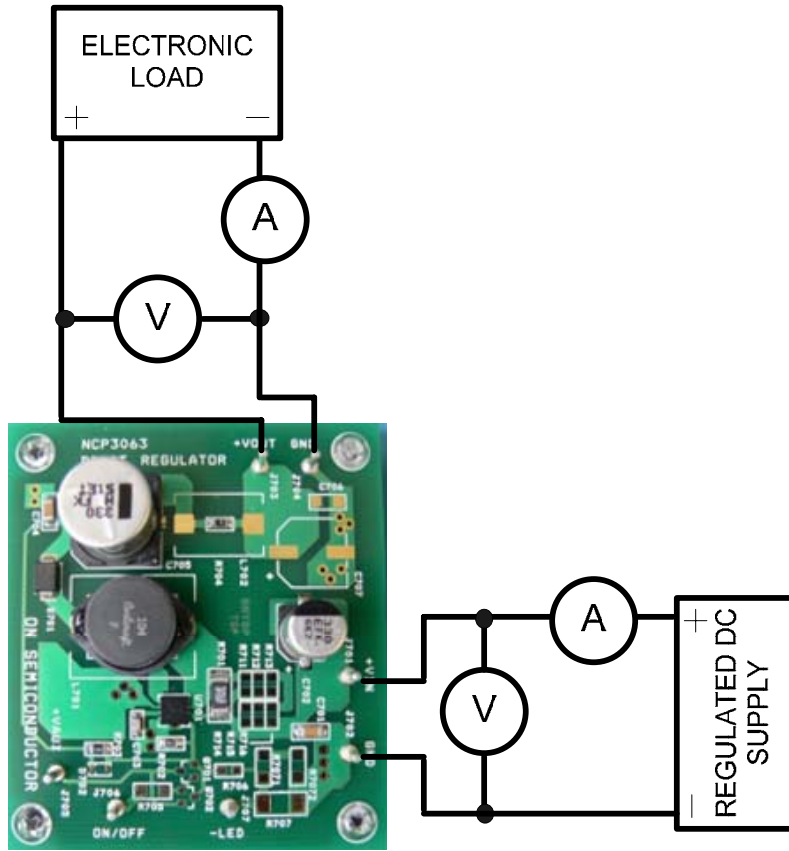


Figure 1: Test Setup DFN

Table 1: Required Equipment

Voltage Supply (12V, 3A)	Voltage Meter	Electronic Load
--------------------------	---------------	-----------------

**Test Procedure:**

- 1. Connect the test setup as shown in Figure 1.**
- 2. Apply an input voltage,  $V_{cc} = 12V$**
- 3. Apply  $I_{out} = 0mA$  load.**
- 4. Check that  $V_{out}$  is 24Vdc (23.9V – 24.1V)**
- 5. Increase  $I_{out}$  load to 350mA**
- 6. Check that  $V_{out}$  is 24V (23.9V – 24.1V)**
- 7. Power down the load**
- 8. Power down  $V_{cc}$**
- 9. End of test**