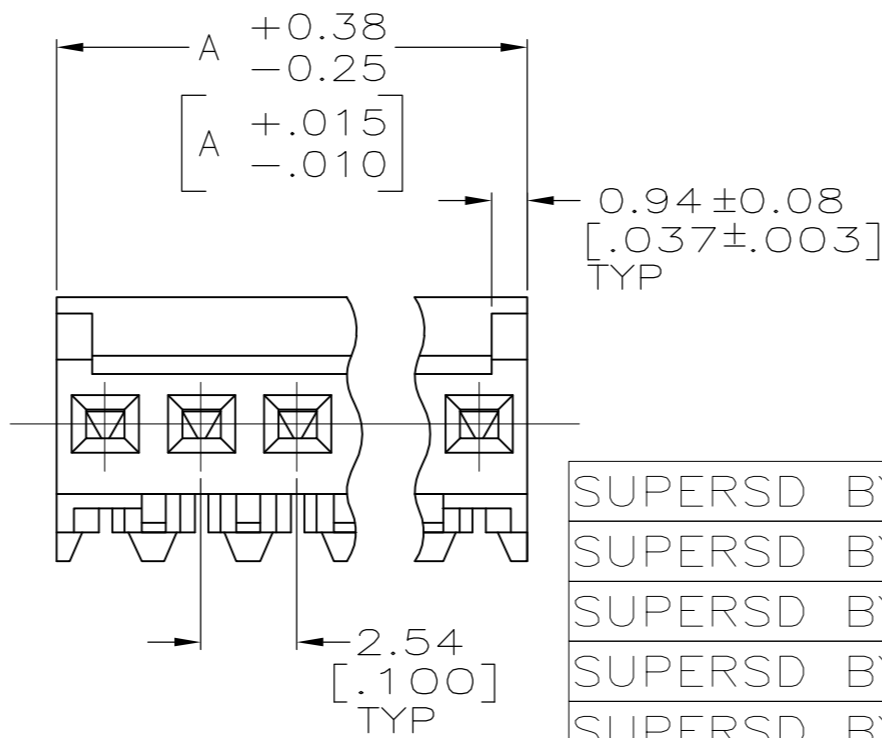
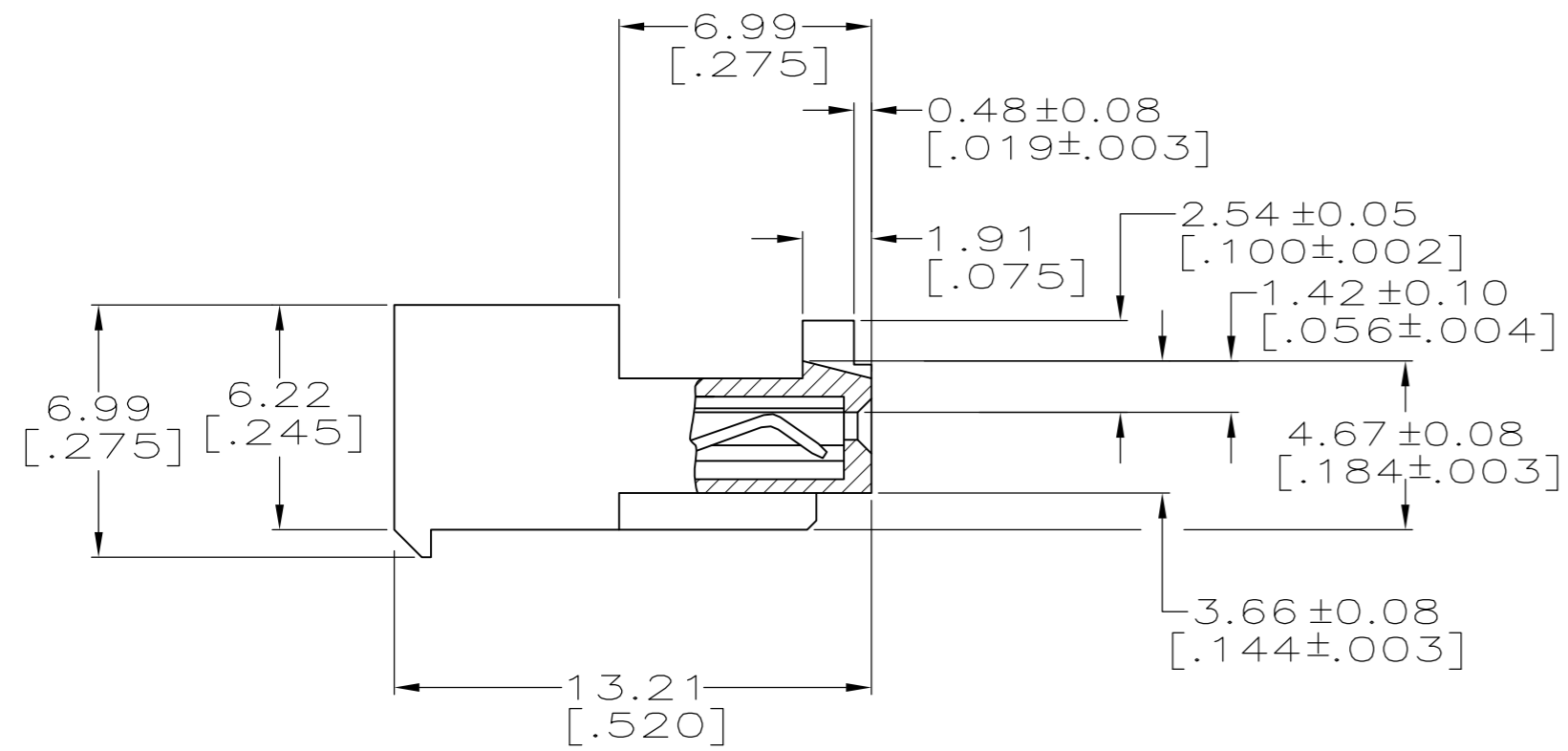
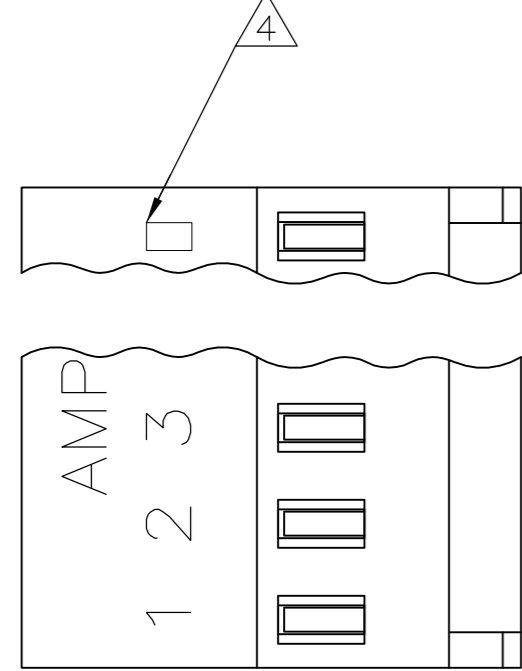


THIS DRAWING IS UNPUBLISHED. RELEASED FOR PUBLICATION
 © COPYRIGHT BY TYCO ELECTRONICS CORPORATION. ALL RIGHTS RESERVED.

LOC	DIST	REVISIONS					
CM	00	P	LTR	DESCRIPTION	DATE	DWN	APVD
		E		REVISION PER ECO-07-003728	23FEB07	KW	DB
		E1		REVISED PER ECO-10-000443	15JAN10	KK	AEG



LEAD FREE	LEAD	NO. OF POSN	ASSEMBLY
38.10 [1.500]	15	4-644313-5	
35.56 [1.400]	14	4-644313-4	
33.02 [1.300]	13	4-644313-3	
30.48 [1.200]	12	4-644313-2	
27.94 [1.100]	11	4-644313-1	
25.40 [1.000]	10	4-644313-0	
22.86 [.900]	9	3-644313-9	
20.32 [.800]	8	3-644313-8	
17.78 [.700]	7	3-644313-7	
15.24 [.600]	6	3-644313-6	
12.70 [.500]	5	3-644313-5	
10.16 [.400]	4	3-644313-4	
7.62 [.300]	3	3-644313-3	
5.08 [.200]	2	3-644313-2	

CONTAINS LEAD	LEAD FREE	NO. OF POSN	ASSEMBLY
SUPERSD BY 4-644313-5	38.10 [1.500]	15	4-644313-5
SUPERSD BY 4-644313-4	35.56 [1.400]	14	4-644313-4
SUPERSD BY 4-644313-3	33.02 [1.300]	13	4-644313-3
SUPERSD BY 4-644313-2	30.48 [1.200]	12	4-644313-2
SUPERSD BY 4-644313-1	27.94 [1.100]	11	4-644313-1
SUPERSD BY 4-644313-0	25.40 [1.000]	10	4-644313-0
SUPERSD BY 3-644313-9	22.86 [.900]	9	644313-9
SUPERSD BY 3-644313-8	20.32 [.800]	8	644313-8
SUPERSD BY 3-644313-7	17.78 [.700]	7	644313-7
SUPERSD BY 3-644313-6	15.24 [.600]	6	644313-6
SUPERSD BY 3-644313-5	12.70 [.500]	5	644313-5
SUPERSD BY 3-644313-4	10.16 [.400]	4	644313-4
	7.62 [.300]	3	644313-3
SUPERSD BY 3-644313-2	5.08 [.200]	2	644313-2

- 1. MATERIAL: CONNECTOR-NYLON UL94V-0 (BLACK).
 CONTACTS-0.30 [.012] THICK COPPER ALLOY
 BRIGHT TIN-LEAD 0.00203 [.000080] MIN THICK FOR CONTACTS
 644313-2 THRU 1-644313-5
 MATTE WHISKER MITIGATED TIN PLATE 0.00203 [.000080] MIN THICK
 OVER 0.00076 [.000030] MIN THICK NICKEL FOR CONTACTS
 3-644313-2 THRU 4-644313-5.

2. CONTACTS ACCEPT 26 AWG WIRE WITH 1.52 [.060] MAX INSULATION DIAMETER.

3. CONTACTS MUST ACCEPT 0.64±0.03 [.025±.001] SQUARE POST AND REMAIN LOCKED IN POSITION.

4. IDENTIFICATION NUMBER FOR LAST CIRCUIT MAY NOT APPEAR ON ALL ASSEMBLIES.

5. DIMENSIONS IN BRACKETS ARE IN INCHES.

6. HOUSING FEATURES ARE: CLOSED END WITH LOCKING RAMP AND WITH POLARIZING TAB.

7. OBSOLETE PARTS: OBSOLETE CIS STREAMLINING PER D.RENAUD/D.SINISI

METRIC

THIS DRAWING IS A CONTROLLED DOCUMENT.

DIMENSIONS: mm [INCHES]	TOLERANCES UNLESS OTHERWISE SPECIFIED: 0 PLC ± 1 PLC ± 2 PLC ± 3 PLC ± 4 PLC ± ANGLES ± FINISH	DWN S. HOOVER 06-DEC-2004 CHK D. BOSSI 03-DEC-2004 APVD D. BOSSI 03-DEC-2004	Tyco Electronics Corporation Harrisburg, Pa 17105-3608
MATERIAL		PRODUCT SPEC 108-1050 APPLICATION SPEC 114-1019	NAME MTA .100 CONNECTOR ASSEMBLY 26 AWG, UL94V-0, SPECIAL
		WEIGHT	SIZE A2 CAGE CODE 00779 DRAWING NO C=644313 RESTRICTED TO
		CUSTOMER DRAWING	SCALE 5:1 SHEET 1 OF 1 REV E1