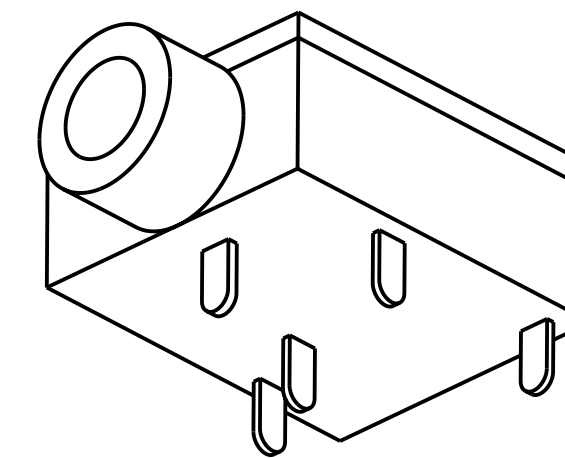
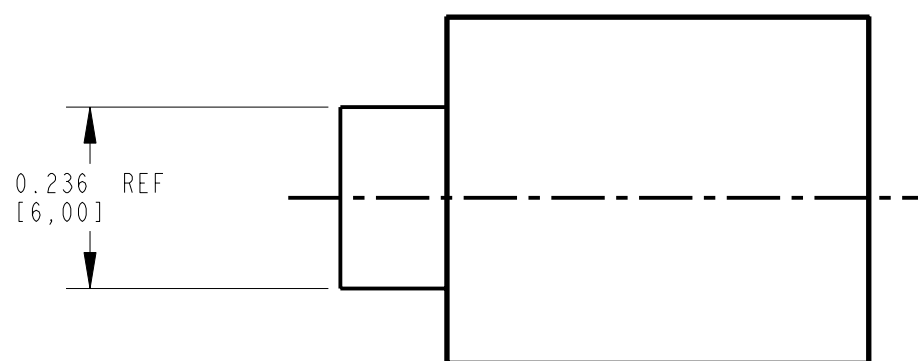


SPECIFICATIONS:

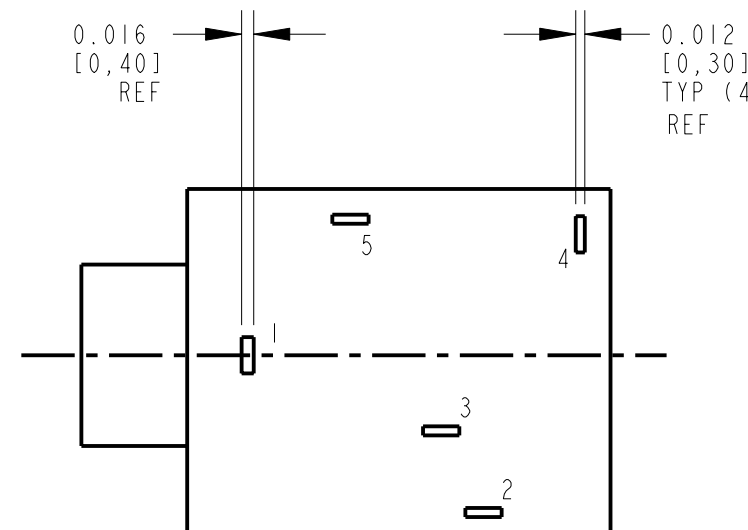
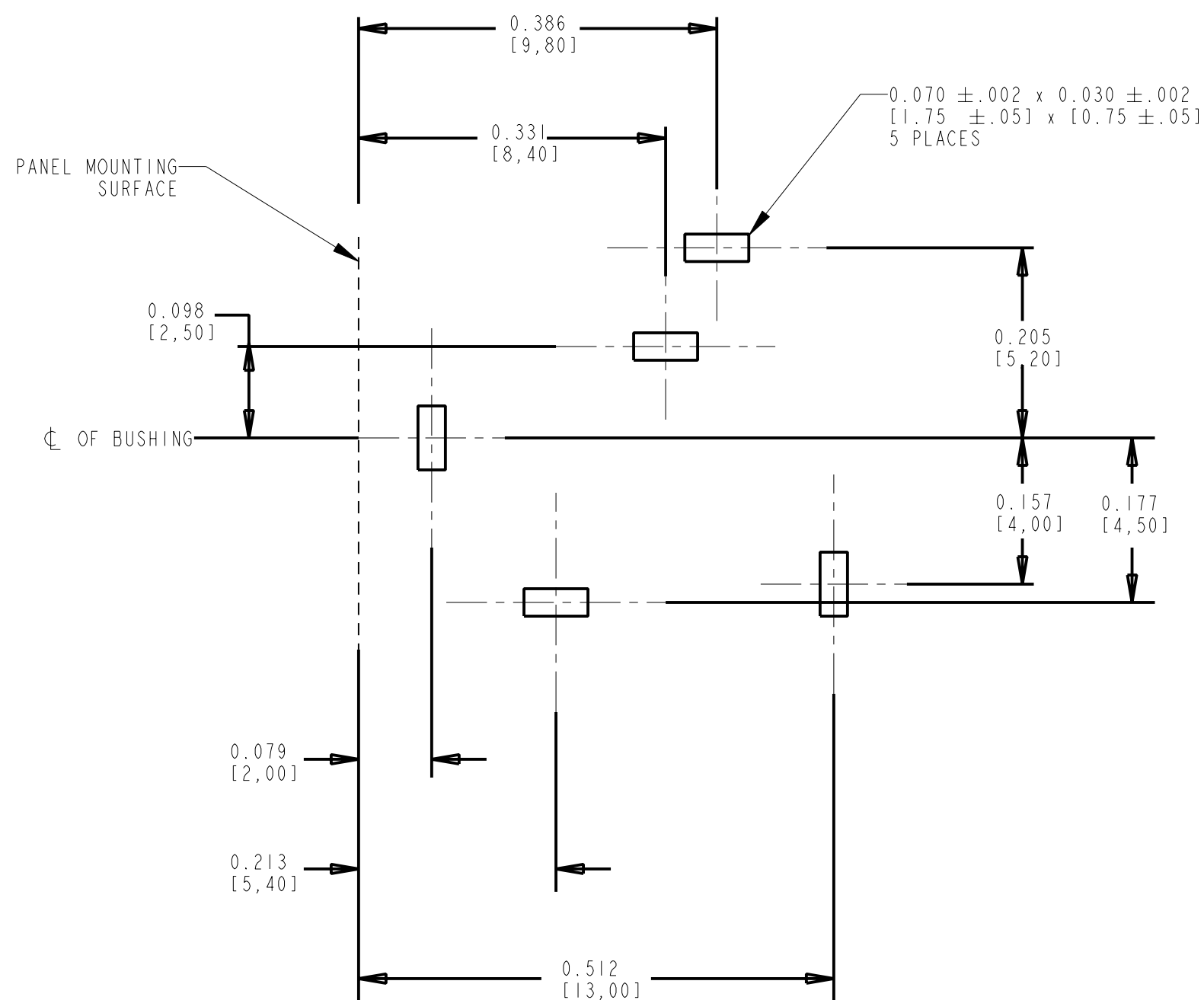
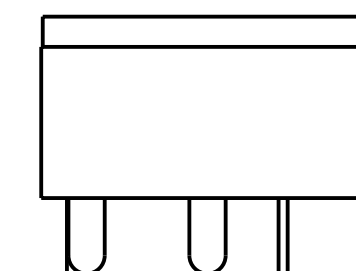
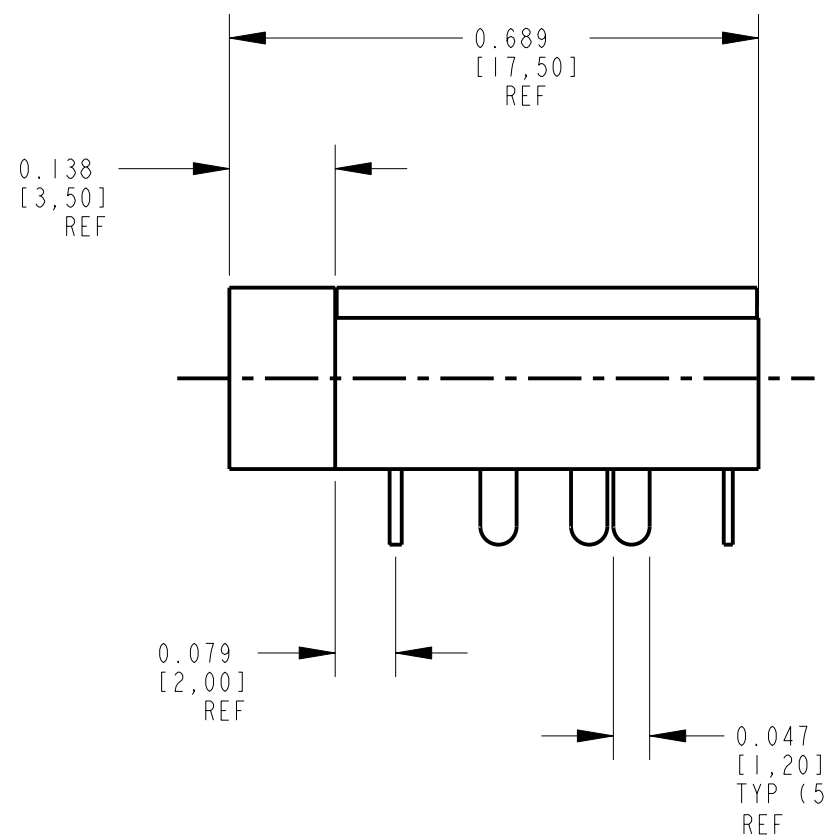
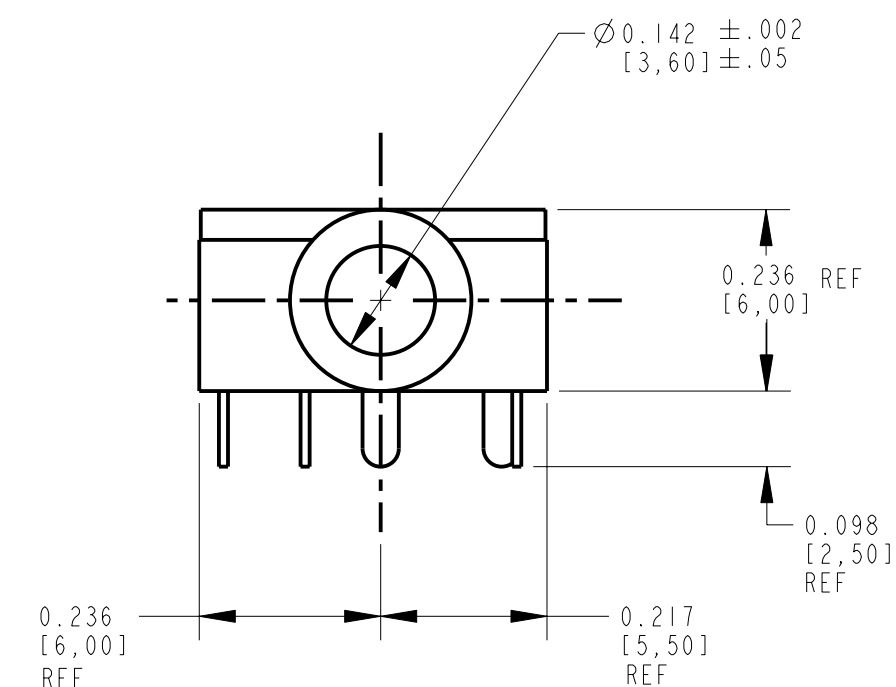
ELECTRICAL:
 CONTACT RESISTANCE: 20 MILLIOHMS MAX. INITIAL
 100 MILLIOHMS MAX. AFTER LIFE
 INSULATION RESISTANCE: 100 MEGAOHMS MIN.
 DIELECTRIC WITH STANDING VOLTAGE: 250 VAC.

MECHANICAL:
 LIFE: 5000 CYCLES
 INSERTION FORCE: 0, 4 KG TO 1, 6 KG
 WITHDRAWAL FORCE: 0, 4 KG TO 1, 4 KG

MATERIALS:
 HOUSING: NORYL BLACK, UL94V1
 BUSHING: BRASS, NICKEL PLATED
 SPRINGS: BRASS EXCEPT RING SPRING PHOSPHOR BRONZE, SILVER PLATED
 COVER: POLYCARBONATE, CLEAR, UL94V2



SCALE 4:1



PART NO.	SCHEMATIC
35RAPC3BHN3	
35RAPC4BHN3	
35RAPC2BHN3	
35RAPC2AHN3	

RECOMMENDED PC BOARD
 COMPONENT SIDE

CUSTOMER DRAWING

<p>★ STAR SYMBOL DENOTES CRITICAL DIMENSION</p> <p>UNLESS OTHERWISE SPECIFIED</p> <p>1. ALL DIMENSIONS IN INCHES - TWO PLACE DECIMALS ±0.01 - THREE PALCE DECIMALS ±0.005 - FRACTIONAL DIMENSIONS ±1/64 - ANGLES ±1° - ALL DIA. CONCENTRIC WITHIN 0.005 T.I.R.</p> <p>2. FEATURES ON THE SAME CENTERLINE MUST BE ALIGNED WITHIN ±0.002</p> <p>3. REMOVE ALL BURRS</p> <p>DO NOT SCALE DRAWING</p>				<p>THIS DRAWING DESCRIBES A DESIGN CONSIDERED PROPRIETARY IN NATURE, DEVELOPED AND MANUFACTURED BY SWITCHCRAFT INC. AND IS RELEASED ON A CONFIDENTIAL BASIS FOR IDENTIFICATION PURPOSES ONLY.</p> <p>SIZE WIDTH MULT LBS/M TEMPER</p> <p>FINISH MATERIAL</p> <p>SPEC No. SPEC No.</p> <p>FIRST USED ON SCALE 4:1</p> <p>DATE DRAWN BY CHKD APVD</p> <p>4-May-95 SG 5-8-95 5-8-95</p> <p>NAME 3.5 MM HORIZONTAL, NON THREADED BUSHING MONO/STEREO JACK PART No. 35RAPC_HN3 REV A</p>				
REV	ECO NUMBER	DATE	BY	APVD				
A	RELEASE TO MFG. ECO #19561	5-4-95	SG	GHJ				
REVISIONS								