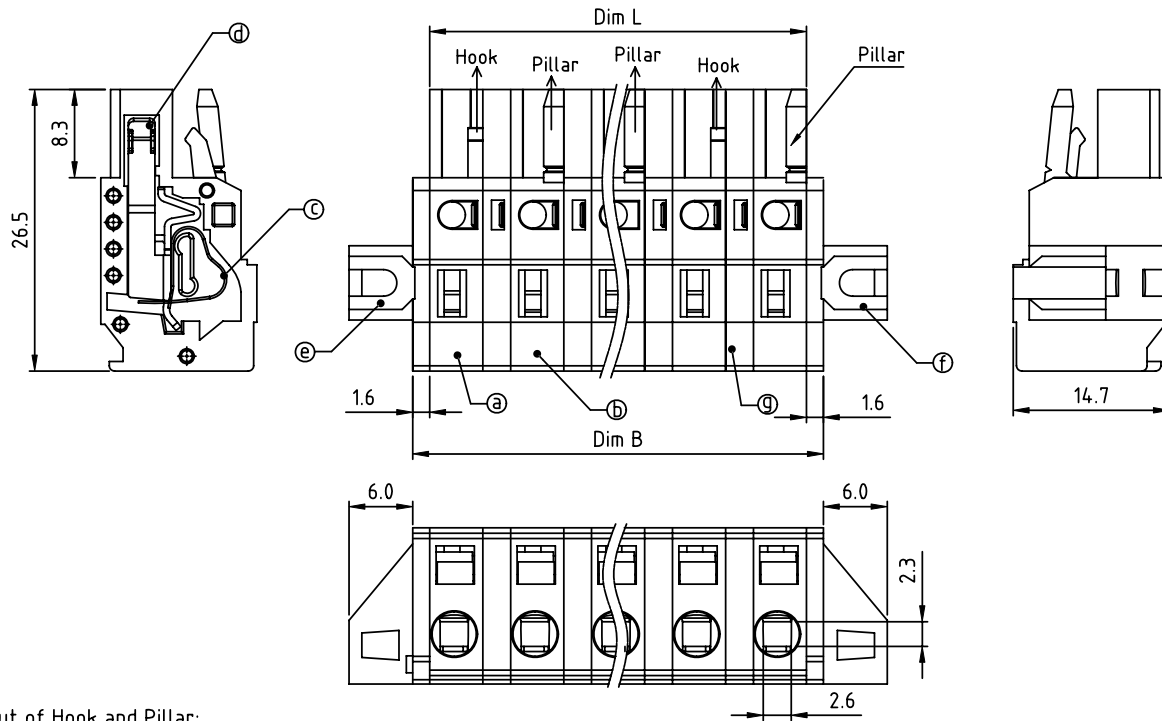
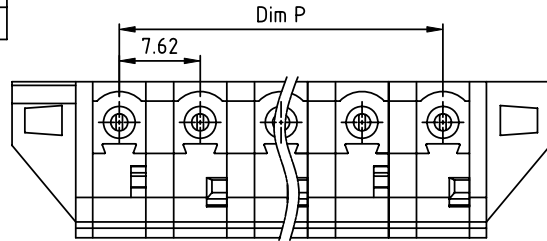


PRODUCT NUMBER	PITCH
Hlxx30x200J0G	7.62 mm



- Material:
- ItemⒶTerminal housing (With hook): Thermoplastic (UL94V-0)
 - ItemⒷTerminal housing (With Pillar): Thermoplastic (UL94V-0)
 - ItemⒸSpring Clamp: Stainless steel
 - ItemⒹFemale contact: PhBz.Tin plated
 - ItemⒺLeft cover with flange: Thermoplastic (UL94V-0)
 - ItemⒻRight cover with flange: Thermoplastic (UL94V-0)
 - ItemⒼPad board: Thermoplastic (UL94V-0)

- Electrical: cULus
- Voltage rating: 300 V
 - Current rating: 15 A (mated with OQ series)
 - Wire range:
 - Solid wire(AWG): 12-28
 - Stranded wire(AWG): 12-28
 - Wire strip length: 8-9 mm
 - Withstanding Voltage: 1.6KV
 - Operating temperature: -40°C to +115°C
 - Safety Approval:

Layout of Hook and Pillar:

2P	Hook+Pillar
3P	Hook+Hook+Pillar
4P	Hook+Pillar+Hook+Pillar
5P	Hook+Pillar+Pillar+Hook+Pillar
5P over	Hook+Pillar+...+Pillar+Hook+Pillar

DIMENSION	Poles	Tolerance
Dim L=N×7.62-2.62	2P-4P	±0.15
Dim P=(N-1)×7.62	5P-8P	±0.25
Dim B=N×7.62+0.58	9P-12P	±0.30
N=Number of poles	13P-16P	±0.40

PART NO.: HI xx 30 x 2 00J0 G

- End stackable 0
- No. of poles 2
- 02 2 poles 3
- 03 3 poles 4
- 5
- 16 16 poles 6
- Color Black (RAL9005)
- Red (RAL3001/D)
- Orange(RAL2011/P)
- Yellow(RAL1018/A)
- Green(RAL6018/T)
- Blue (RAL5015/A)
- 8 Grey(RAL7035/D)
- 9 White(RAL1102)
- C Green(RAL6018/U)
- RoHS compliant (lead<4% In copper Alloy)

mat'l. code		surface ASME Y14.5	tolerance ASME Y14.5	projection	product family
ltr	ecn no	dr	date		TERMINAL BLOCK
tolerances unless otherwise specified				MM	title
angles	0	X.±0.5		TERMINAL BLOCK	
0	1	X.X±0.3		SPRING CLAMP,PLUGGABLE PLUG,WITH FLANGE	
X°±1°	1	X.XX±0.1		scale	sheet 1 of 1 size
dr	EVIN ZHONG	051414			Hlxx30x200J0G
enr	EVIN ZHONG	051414			A4
chr	HANKE FENG	051414			
appd	SHI JUN	051414			type CUSTOMER Drawing
sheet index	revision sheet	A	1		