

Evaluating the ADAU7002 Using the EVAL-ADAU7002Z

EVALUATION KIT CONTENTS

- ADAU7002 evaluation board (EVAL-ADAU7002Z)
- EVAL-ADUSB2EBZ (USBi) communications adapter
- USB cable with Mini-B plug
- UG-533 user guide

DOCUMENTS NEEDED

- ADAU7002 data sheet
- UG-533 user guide
- AN-1006 Applications Note, *Using the EVAL-ADUSB2EBZ*

GENERAL DESCRIPTION

This user guide explains the design and setup of the ADAU7002 evaluation board. This evaluation board provides full access to all inputs and outputs on the ADAU7002. This evaluation board can be powered by a single 3.8 V to 6 V supply or by VDD of the pulse density modulation (PDM) input. The PC board is a 4-layer design, with a single ground plane and a single power plane on the inner layers. The board contains connectors for external microphones and headers for PDM input and I²S output.

EVALUATION BOARD TOP SIDE AND BOTTOM SIDE

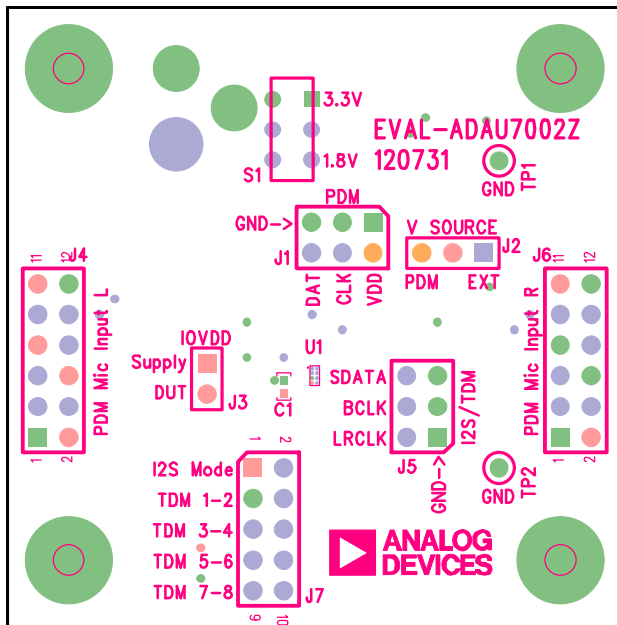


Figure 1. Evaluation Board Top Side

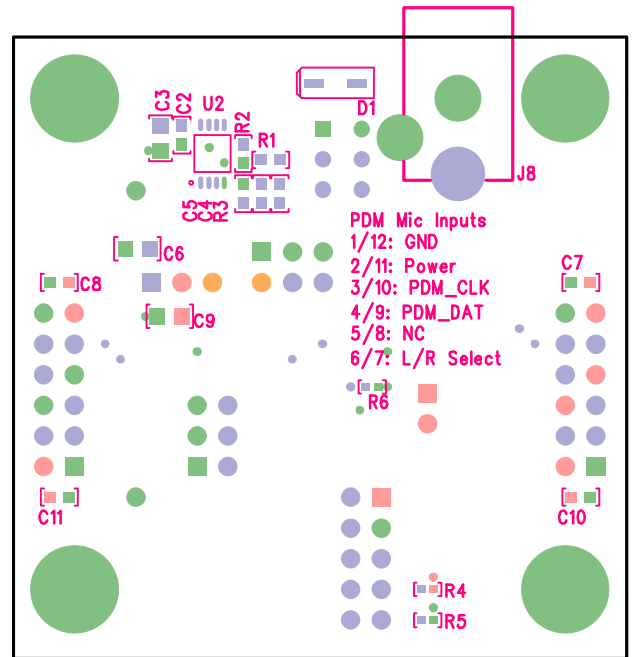


Figure 2. Evaluation Board Bottom Side

TABLE OF CONTENTS

Evaluation Kit Contents.....	1	Using the Evaluation Board	6
Documents Needed.....	1	Power.....	6
General Description	1	Inputs and Outputs	6
Evaluation Board Top Side and Bottom Side.....	1	Serial Audio Interface	6
Revision History	2	Mode Select	6
Evaluation Board Block Diagrams	3	Hardware Description.....	7
Setting Up the Evaluation Board	5	Jumpers	7
Default Switch and Jumper Settings	5	Integrated Circuits (IC)	7
Powering Up the Board	5	Evaluation Board Schematics and Artwork.....	8
Connecting the Cables.....	5	Bill of Materials.....	12

REVISION HISTORY

2/13—Revision 0: Initial Version

EVALUATION BOARD BLOCK DIAGRAMS

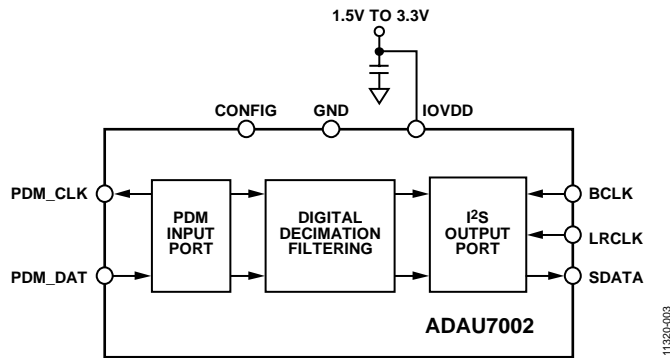


Figure 3. Functional Block Diagram

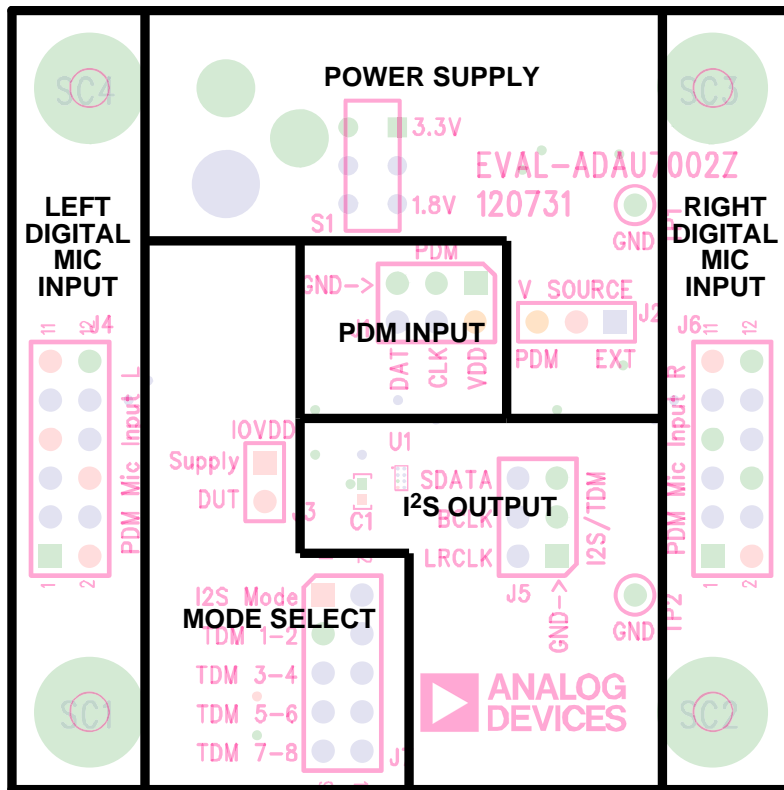


Figure 4. Board Layout Block Diagram

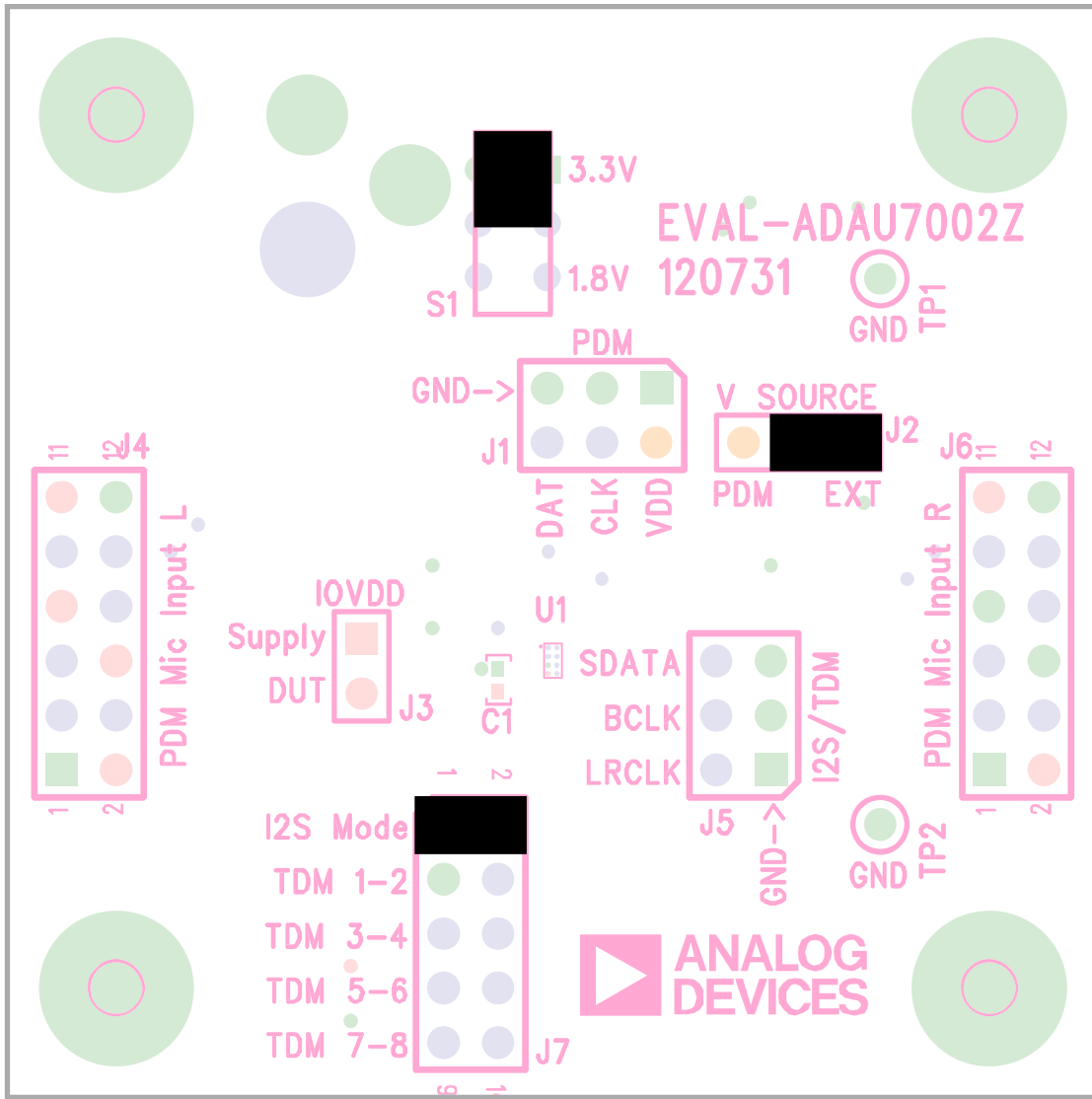


Figure 5. Default Jumpers and Switches

11320-005

SETTING UP THE EVALUATION BOARD

DEFAULT SWITCH AND JUMPER SETTINGS

Header J2 selects whether the board is to be powered by VDD of the PDM input or by an external source. The default setting for J2 is EXT—that is, to be powered from an external source (see Figure 5). Switch S1 selects whether the ADAU7002 is to be powered from 3.3 V or 1.8 V. Put the switch in the up position (the default position) to set the voltage level to 3.3 V (see Figure 5).

The default mode for the EVAL-ADAU7002Z board is I²S output. Put a jumper across the top row of Header J7 (see Figure 5).

POWERING UP THE BOARD

To power up the board, connect a tip positive 3.8 V dc to 6 V dc power supply to Connector J8 on the bottom of the board (see Figure 6).

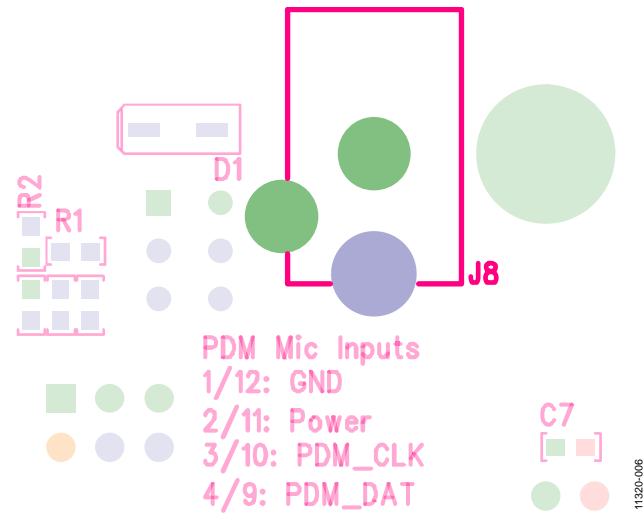


Figure 6. Power Connector J8

CONNECTING THE CABLES

Connect a PDM audio source to the board via Header J1. Because the board is being powered externally, leave the VDD jumper open (see Figure 7).

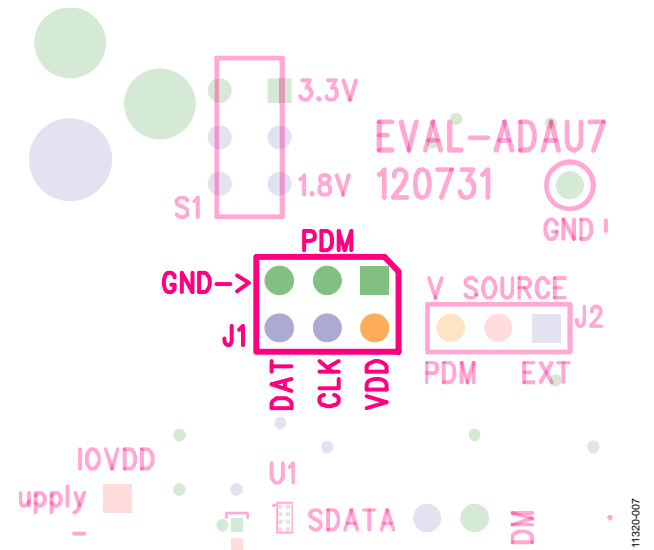


Figure 7. PDM Header

Connections for I²S/TDM output are located on Header J5. Connect SDATA, BCLK, and LRCLK accordingly (see Figure 8).

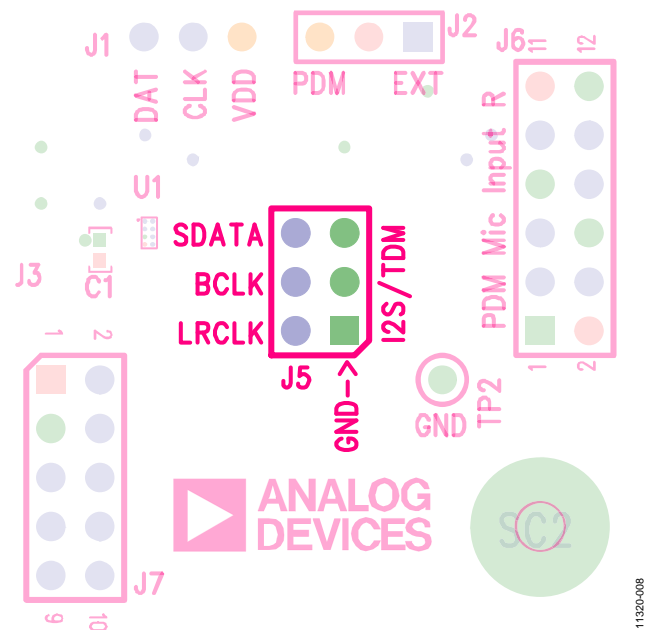


Figure 8. I²S/TDM Header

USING THE EVALUATION BOARD

POWER

Power can be supplied to the [EVAL-ADAU7002Z](#) in two ways:

- When Header J2 is in the EXT position, power can be supplied by connecting a tip positive 3.8 V dc to 6 V dc power supply to Connector J8 on the bottom of the board.
- When Header J2 is in the PDM position, power can be supplied from the VDD output of your PDM source to the VDD pins on Header J1 (see Figure 9).

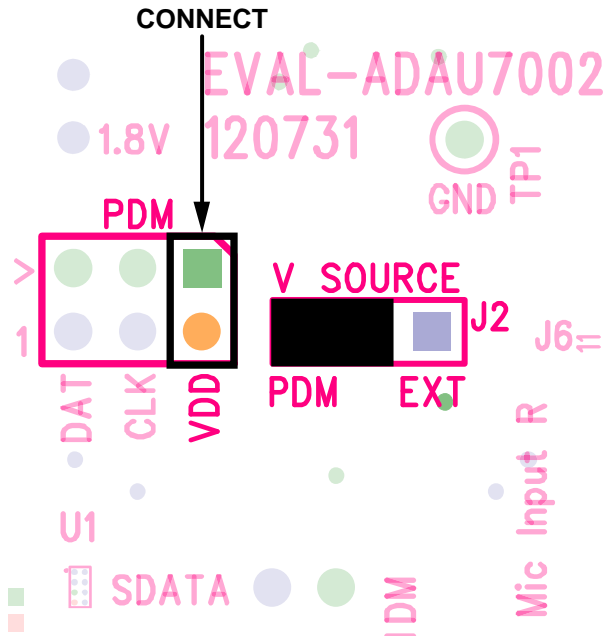


Figure 9. PDM VDD Power

INPUTS AND OUTPUTS

The board has two audio inputs and one audio output. The [ADAU7002](#) is capable of up to two channels of PDM input as well as eight channels of serial audio output in either I²S or TDM format.

Digital Microphones

PDM digital microphones connect to the J4 and J6 standard 0.100" headers (see Figure 10). For example, the Analog Devices, Inc., [ADMP521](#) digital microphone on the [EVAL-ADMP521Z](#) can plug directly into the header (see the [ADMP521Z Evaluation Board](#) Web page for more information).

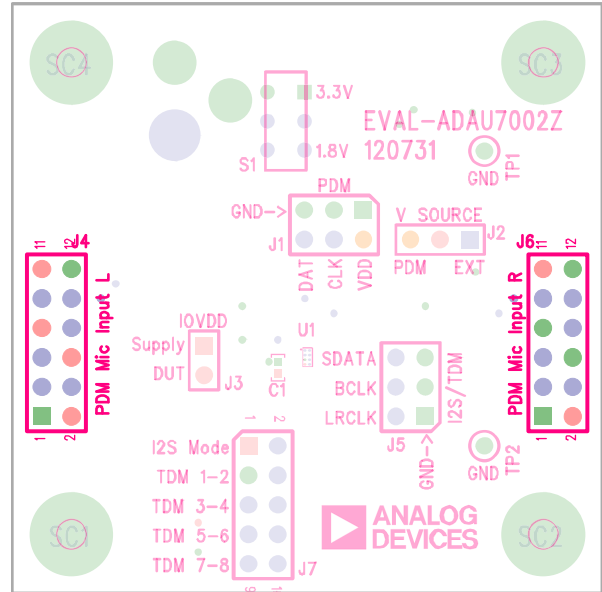


Figure 10. PDM Microphone Headers

SERIAL AUDIO INTERFACE

Serial audio signals in I²S or TDM format can be output via the serial audio interface header, J5 (see Figure 8). The [ADAU7002](#) always operates in slave mode and must be provided LRCLK and BCLK.

MODE SELECT

The mode select configuration header (J7) determines which slots of the TDM stream to output in. If the top row of the header has a jumper across it, the part is in I²S mode. The bottom four rows of Header J7 put the chip in TDM mode. The [ADAU7002](#) outputs two channels of left-justified serial PCM audio on the TDM channels specified by the silkscreen. Row 2 outputs on Slot 1 and Slot 2, Row 3 outputs on Slot 3 and Slot 4, Row 4 outputs on Slot 5 and Slot 6, and Row 5 outputs on Slot 7 and Slot 8 (see Figure 11).

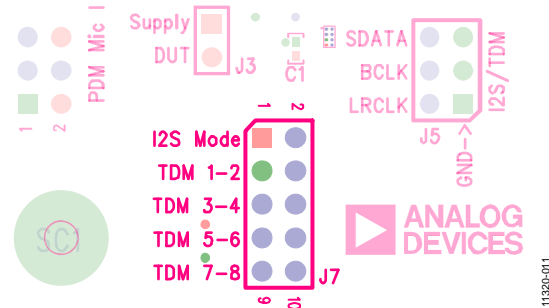


Figure 11. Mode Select Header

HARDWARE DESCRIPTION

JUMPERS

Table 1. Connector and Jack Descriptions

Reference	Functional Name	Description
J1	PDM input	Jumper used for PDM input signals and VDD source.
J2	Voltage source	Header used to choose powering the board from the PDM input or from the on-board regulator.
J3	IOVDD	Unpopulated header used for measuring IOVDD current.
J4, J6	PDM microphone inputs	Headers that allow digital microphones to be connected to the evaluation board.
J5	I ² S/TDM	Jumper used for serial audio output in either I ² S or TDM format.
J7	Mode select	Jumper used to choose between different modes of operation. See the Mode Select section.
J8	Power connector	Tip positive 3.8 V dc to 6 V dc power connector.

INTEGRATED CIRCUITS (IC)

Table 2. IC Descriptions

Reference	Functional Name	Description
U1	ADAU7002	PDM to I ² S/TDM converter.
U2	ADP3336	Adjustable output low dropout regulator.

EVALUATION BOARD SCHEMATICS AND ARTWORK

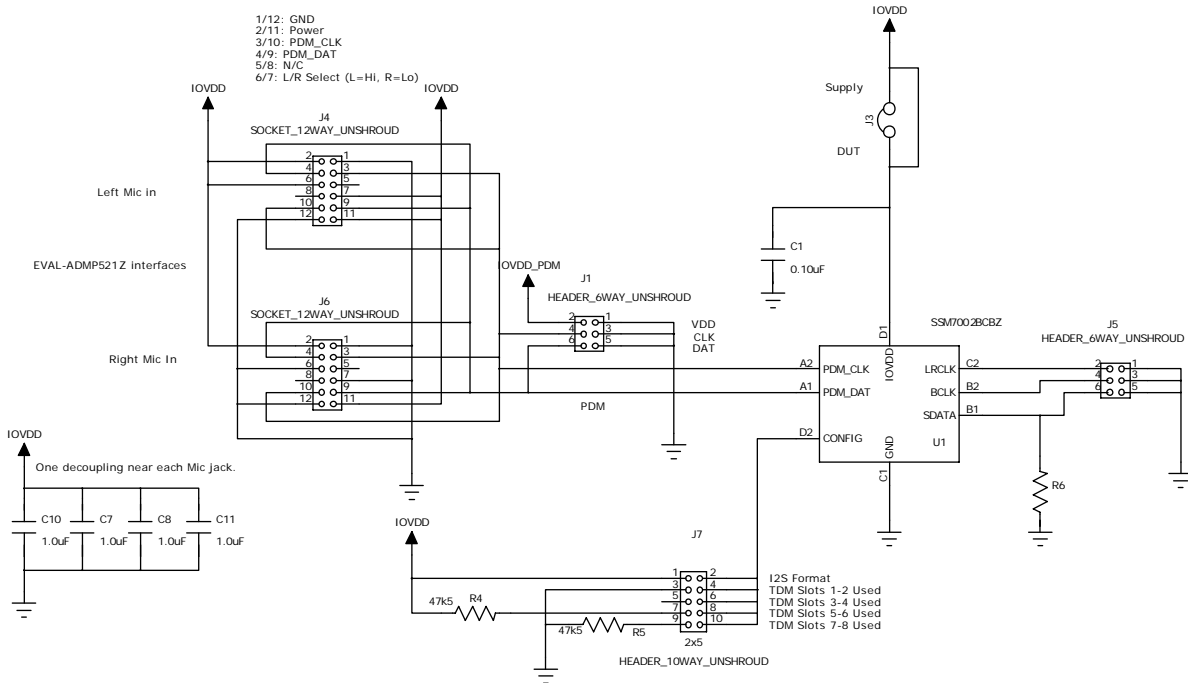


Figure 12. Evaluation Board Schematic

11320-012

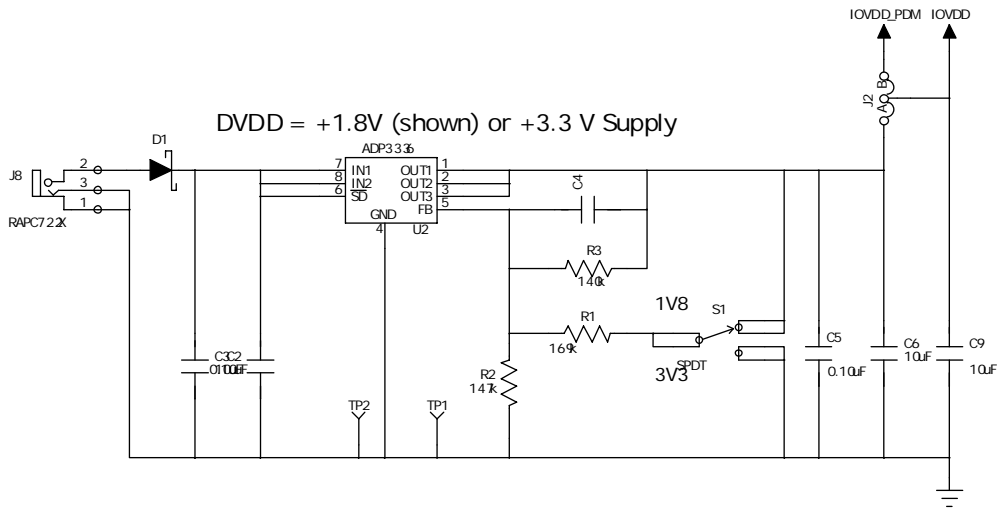


Figure 13. Evaluation Board Schematic—Power Supply

11320-013

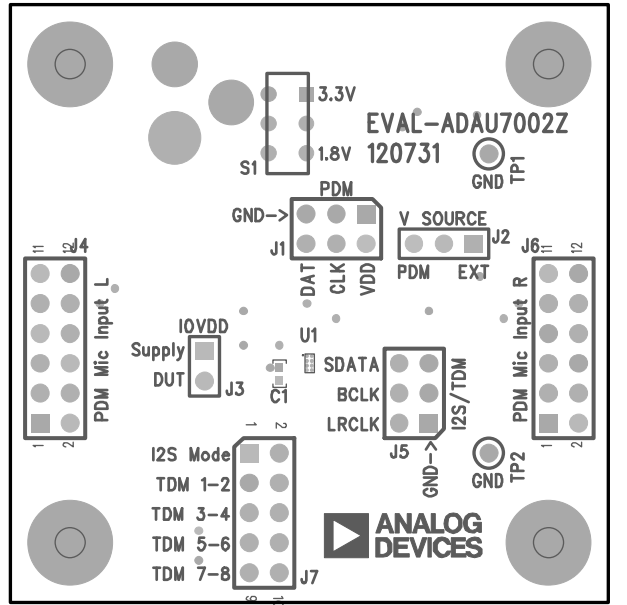


Figure 14. Evaluation Board Layout—Top Assembly

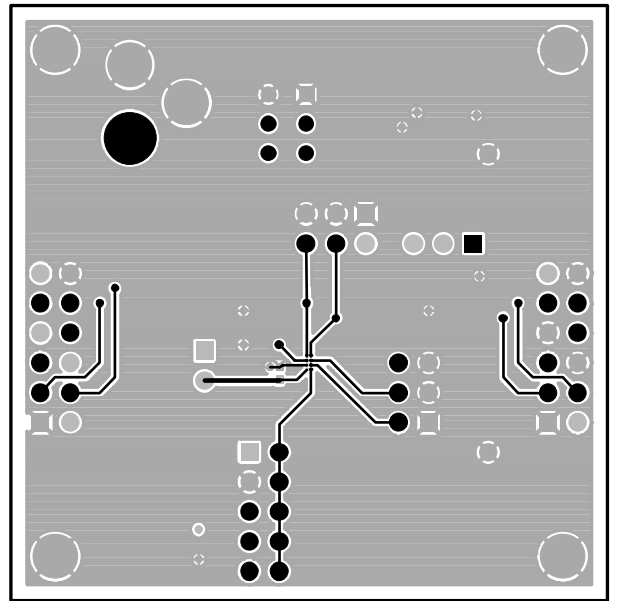
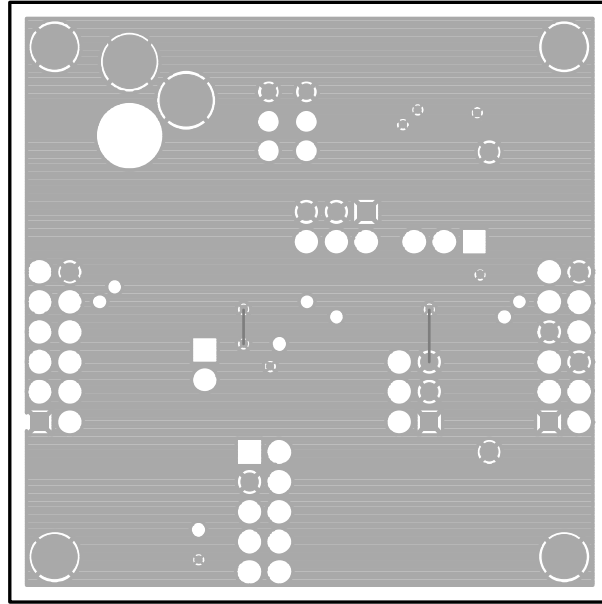
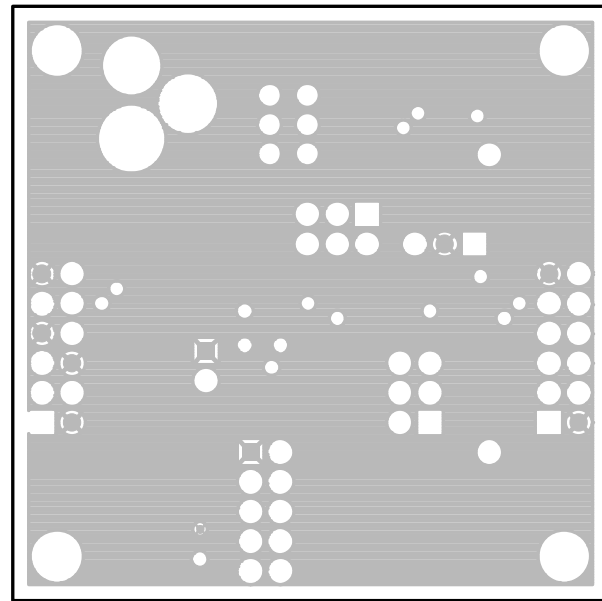


Figure 15. Evaluation Board Layout—Top Copper



11320-016

Figure 16. Evaluation Board Layout—Power Plane



11320-017

Figure 17. Evaluation Board Layout—Ground Plane

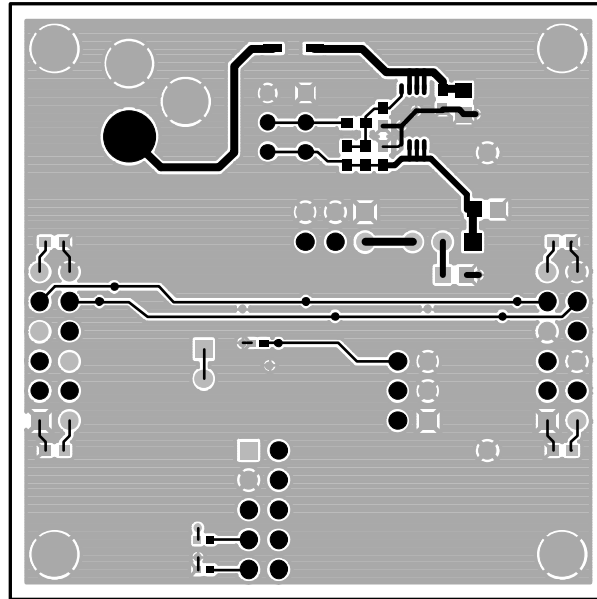


Figure 18. Evaluation Board Layout—Bottom Copper

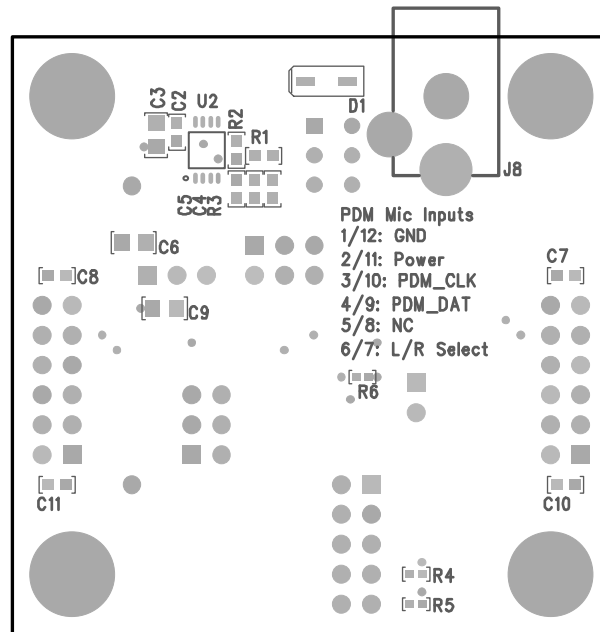


Figure 19. Evaluation Board Layout—Bottom Assembly

BILL OF MATERIALS

Table 3.

Qty.	Reference	Value	Description	Part Number	Manufacturer
1	C1	0.10 μ F	Multilayer ceramic 16 V X7R (0402)	GRM155R71C104KA88D	Murata ENA
2	C2, C5	0.10 μ F	Multilayer ceramic 50 V X7R (0603)	ECJ-1VB1H104K	Panasonic EC
4	C7, C8, C10, C11	1.0 μ F	Multilayer ceramic 16 V X7R (0603)	GRM188R71C105KA12D	Murata ENA
1	C4	10 nF	Multilayer ceramic 25 V NP0 (0603)	C1608C0G1E103J	TDK Corp
3	C3, C6, C9	10 μ F	Multilayer ceramic 10 V X7R (0805)	GRM21BR71A106KE51L	Murata ENA
1	R3	140 k Ω	Chip resistor 1% 100 mW thick film 0603	ERJ-3EKF1403V	Panasonic EC
1	R2	147 k Ω	Chip resistor 1% 100 mW thick film 0603	ERJ-3EKF1473V	Panasonic EC
1	R1	169 k Ω	Chip resistor 1% 100 mW thick film 0603	ERJ-3EKF1693V	Panasonic EC
3	R4, R5, R6	4.75 k Ω	Chip resistor 1% 63 mW thick film 0402	RMCF0402FT4K75	Stackpole
1	U1			ADAU7002BCBZ	Analog Devices
1	U2		Adjustable low dropout voltage regulator	ADP3336ARMZ-REEL7	Analog Devices
1	J7		10-way (2 \times 5) unshrouded header	PBC05DAAN, or cut PBC36DAAN	3M
2	J1, J5		6-way (2 \times 3) unshrouded header	PBC06DAAN, or cut PBC36DAAN	3M
1	J2		3-position SIP header	PBC03SAAN, or cut PBC36SAAN	Sullins
1	D1		Schottky 30 V 0.5 A SOD123 diode	MBR0530T1G	ON Semiconductor
1	J8		Mini power jack 0.08" R/A TH	RAPC722X	Switchcraft, Inc.
2	J4, J6		12-way (2 \times 6) socket unshrouded	PPPC062LFBN-RC	3M
1	S1		SPDT slide switch PC mount	EG1271	E-Switch
2	TP1, TP2		Mini test point white 0.1" outer diameter	5002	Keystone Electronics



ESD Caution

ESD (electrostatic discharge) sensitive device. Charged devices and circuit boards can discharge without detection. Although this product features patented or proprietary protection circuitry, damage may occur on devices subjected to high energy ESD. Therefore, proper ESD precautions should be taken to avoid performance degradation or loss of functionality.

Legal Terms and Conditions

By using the evaluation board discussed herein (together with any tools, components documentation or support materials, the "Evaluation Board"), you are agreeing to be bound by the terms and conditions set forth below ("Agreement") unless you have purchased the Evaluation Board, in which case the Analog Devices Standard Terms and Conditions of Sale shall govern. Do not use the Evaluation Board until you have read and agreed to the Agreement. Your use of the Evaluation Board shall signify your acceptance of the Agreement. This Agreement is made by and between you ("Customer") and Analog Devices, Inc. ("ADI"), with its principal place of business at One Technology Way, Norwood, MA 02062, USA. Subject to the terms and conditions of the Agreement, ADI hereby grants to Customer a free, limited, personal, temporary, non-exclusive, non-sublicensable, non-transferable license to use the Evaluation Board FOR EVALUATION PURPOSES ONLY. Customer understands and agrees that the Evaluation Board is provided for the sole and exclusive purpose referenced above, and agrees not to use the Evaluation Board for any other purpose. Furthermore, the license granted is expressly made subject to the following additional limitations: Customer shall not (i) rent, lease, display, sell, transfer, assign, sublicense, or distribute the Evaluation Board; and (ii) permit any Third Party to access the Evaluation Board. As used herein, the term "Third Party" includes any entity other than ADI, Customer, their employees, affiliates and in-house consultants. The Evaluation Board is NOT sold to Customer; all rights not expressly granted herein, including ownership of the Evaluation Board, are reserved by ADI. CONFIDENTIALITY. This Agreement and the Evaluation Board shall all be considered the confidential and proprietary information of ADI. Customer may not disclose or transfer any portion of the Evaluation Board to any other party for any reason. Upon discontinuation of use of the Evaluation Board or termination of this Agreement, Customer agrees to promptly return the Evaluation Board to ADI. ADDITIONAL RESTRICTIONS. Customer may not disassemble, decompile or reverse engineer chips on the Evaluation Board. Customer shall inform ADI of any occurred damages or any modifications or alterations it makes to the Evaluation Board, including but not limited to soldering or any other activity that affects the material content of the Evaluation Board. Modifications to the Evaluation Board must comply with applicable law, including but not limited to the RoHS Directive. TERMINATION. ADI may terminate this Agreement at any time upon giving written notice to Customer. Customer agrees to return to ADI the Evaluation Board at that time. LIMITATION OF LIABILITY. THE EVALUATION BOARD PROVIDED HEREUNDER IS PROVIDED "AS IS" AND ADI MAKES NO WARRANTIES OR REPRESENTATIONS OF ANY KIND WITH RESPECT TO IT. ADI SPECIFICALLY DISCLAIMS ANY REPRESENTATIONS, ENDORSEMENTS, GUARANTEES, OR WARRANTIES, EXPRESS OR IMPLIED, RELATED TO THE EVALUATION BOARD INCLUDING, BUT NOT LIMITED TO, THE IMPLIED WARRANTY OF MERCHANTABILITY, TITLE, FITNESS FOR A PARTICULAR PURPOSE OR NON-INFRINGEMENT OF INTELLECTUAL PROPERTY RIGHTS. IN NO EVENT WILL ADI AND ITS LICENSORS BE LIABLE FOR ANY INCIDENTAL, SPECIAL, INDIRECT, OR CONSEQUENTIAL DAMAGES RESULTING FROM CUSTOMER'S POSSESSION OR USE OF THE EVALUATION BOARD, INCLUDING BUT NOT LIMITED TO LOST PROFITS, DELAY COSTS, LABOR COSTS OR LOSS OF GOODWILL. ADI'S TOTAL LIABILITY FROM ANY AND ALL CAUSES SHALL BE LIMITED TO THE AMOUNT OF ONE HUNDRED US DOLLARS (\$100.00). EXPORT. Customer agrees that it will not directly or indirectly export the Evaluation Board to another country, and that it will comply with all applicable United States federal laws and regulations relating to exports. GOVERNING LAW. This Agreement shall be governed by and construed in accordance with the substantive laws of the Commonwealth of Massachusetts (excluding conflict of law rules). Any legal action regarding this Agreement will be heard in the state or federal courts having jurisdiction in Suffolk County, Massachusetts, and Customer hereby submits to the personal jurisdiction and venue of such courts. The United Nations Convention on Contracts for the International Sale of Goods shall not apply to this Agreement and is expressly disclaimed.