

PART NUMBER CODING

SBH11- BPC-D -ST-

INSULATOR MATERIAL

N = NYLON 6T
 PROCESSING TEMP.: 230° C FOR 60 SECONDS MAX.
 (260° C FOR 10 SECONDS MAX.)

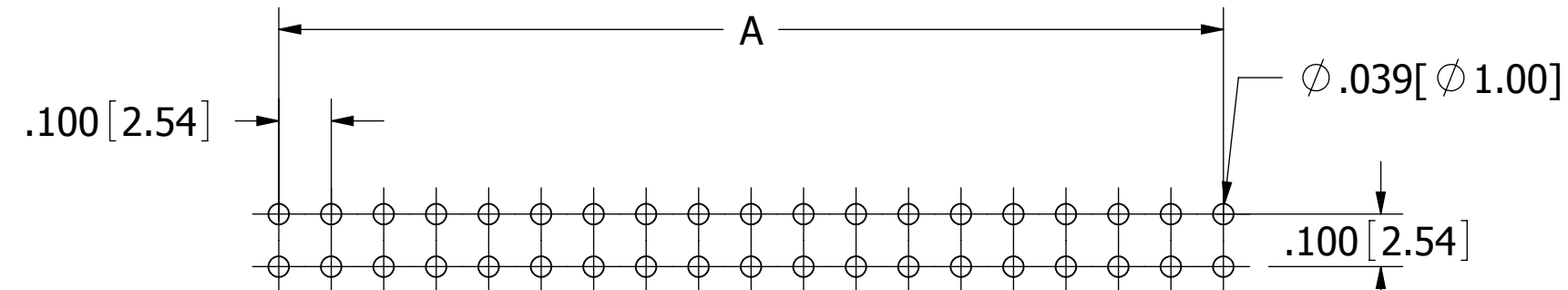
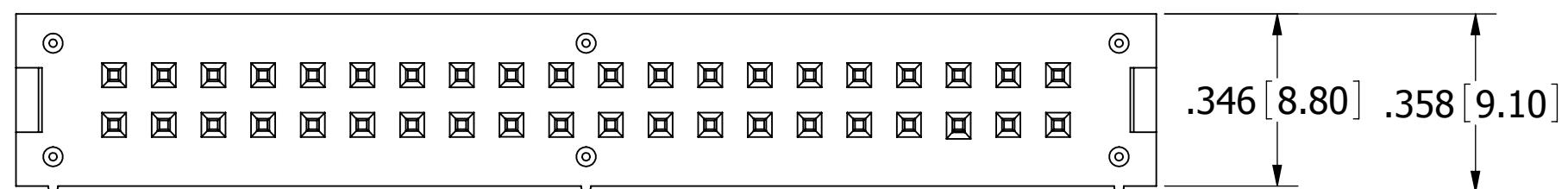
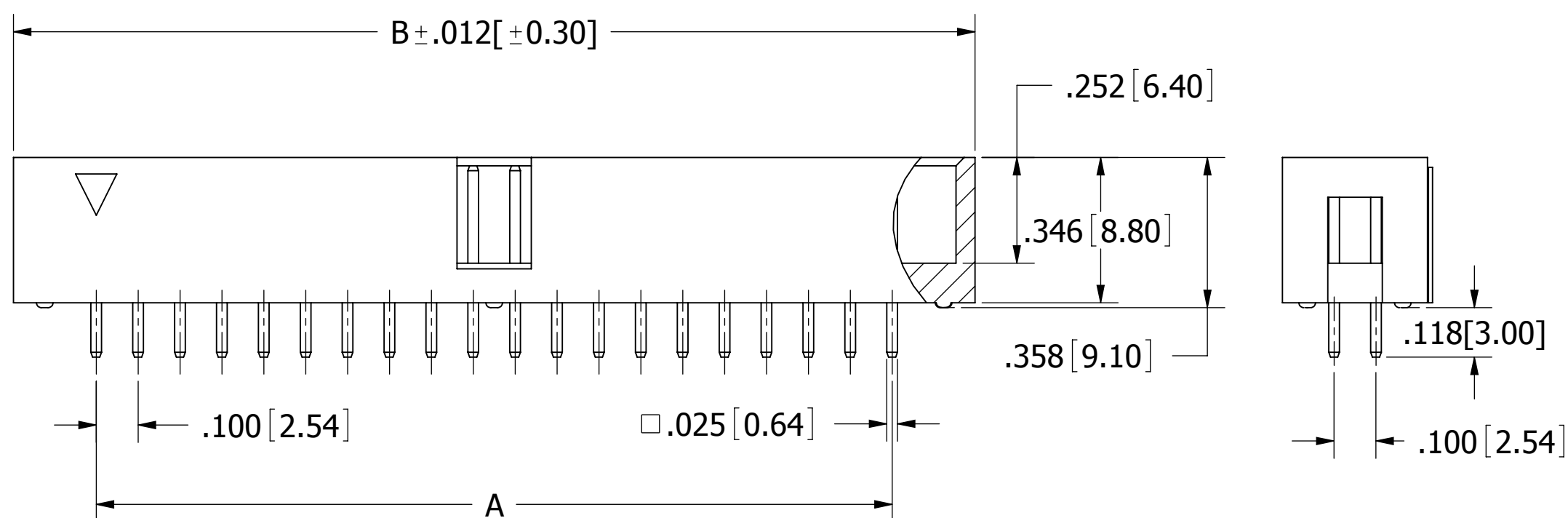
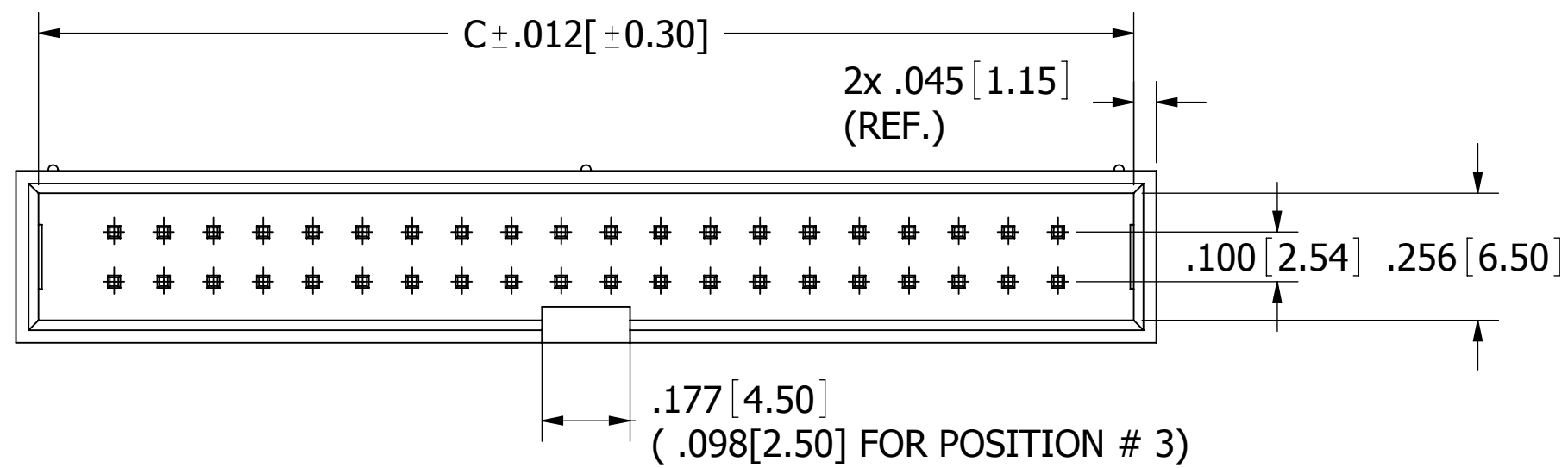
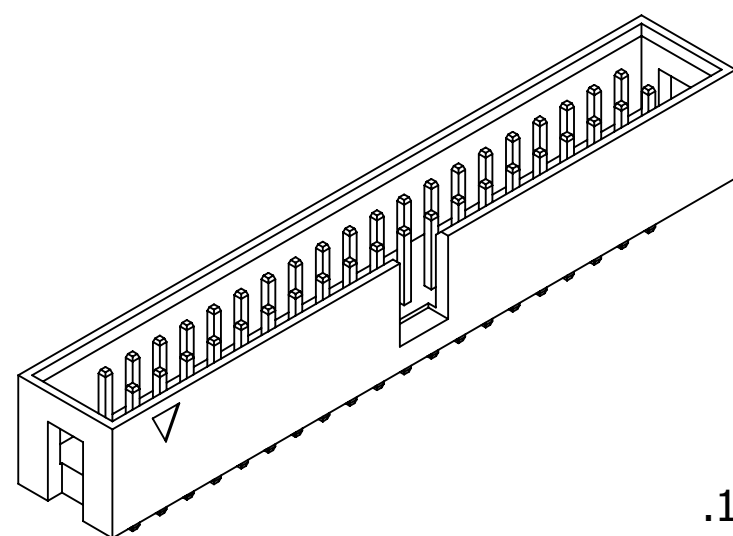
P = PBT
 PROCESSING TEMP.: WAVE ONLY.

NUMBER OF POSITIONS
 (CONTACTS PER ROW)

TERMINATION
 STRAIGHT

COLOR

BK= BLACK
 YE= YELLOW
 RE= RED
 BL= BLUE
 GR= GREEN
 GY= GREY
 WH= WHITE
 OR= ORANGE

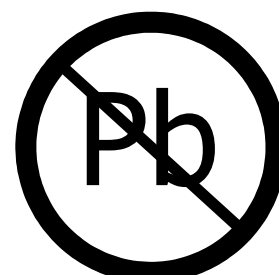


RECOMMENDED PCB LAYOUT

PART NUMBER	POSITIONS/ CONTACTS	A		B		C	
		INCH	MM	INCH	MM	INCH	MM
SBH11- BPC-D03-ST-__	03/06	0.200	5.08	0.595	15.12	0.505	12.82
SBH11- BPC-D04-ST-__	04/08	0.300	7.62	0.695	17.66	0.605	15.36
SBH11- BPC-D05-ST-__	05/10	0.400	10.16	0.795	20.20	0.705	17.90
SBH11- BPC-D06-ST-__	06/12	0.500	12.70	0.895	22.74	0.805	20.44
SBH11- BPC-D07-ST-__	07/14	0.600	15.24	0.995	25.28	0.905	22.98
SBH11- BPC-D08-ST-__	08/16	0.700	17.78	1.095	27.82	1.005	25.52
SBH11- BPC-D10-ST-__	10/20	0.900	22.86	1.295	32.90	1.205	30.60
SBH11- BPC-D12-ST-__	12/24	1.100	27.94	1.495	37.98	1.405	35.68
SBH11- BPC-D13-ST-__	13/26	1.200	30.48	1.595	40.52	1.505	38.22
SBH11- BPC-D15-ST-__	15/30	1.400	35.56	1.795	45.60	1.705	43.30
SBH11- BPC-D17-ST-__	17/34	1.600	40.64	1.995	50.68	1.905	48.38
SBH11- BPC-D20-ST-__	20/40	1.900	48.26	2.295	58.30	2.205	56.00
SBH11- BPC-D22-ST-__	22/44	2.100	53.34	2.495	63.38	2.405	61.08
SBH11- BPC-D25-ST-__	25/50	2.400	60.96	2.795	71.00	2.705	68.70
SBH11- BPC-D30-ST-__	30/60	2.900	73.66	3.295	83.70	3.205	81.40
SBH11- BPC-D32-ST-__	32/64	3.100	78.74	3.495	88.78	3.405	86.48

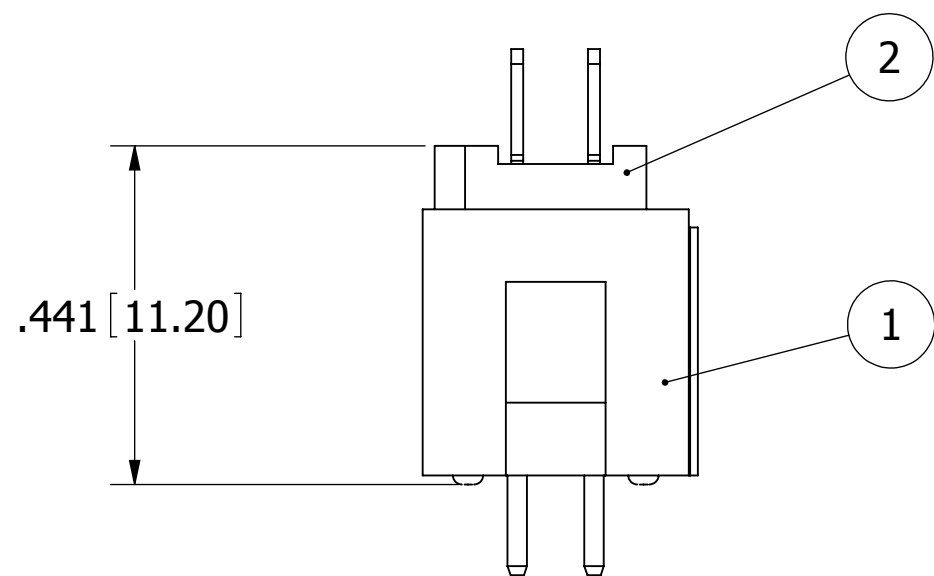
NOTES:

- INSULATOR MATERIAL: SEE PART NUMBER CODING, UL 94V-0.
 COLOR: SEE PART NUMBER CODING.
- CONTACT MATERIAL: BRASS.
- CONTACT PLATING: .000030"~.000050" NICKEL UNDERPLATE, GOLD FLASH OVERALL.
- OPERATING TEMPERATURE: -40° C TO + 85° C.
- CONTACT RESISTANCE: 20 MILLIOHMS MAX.
- CURRENT RATING: 3 AMPS PER CONTACT.
- DIELECTRIC WITHSTANDING: 500 V AC.
- INSULATOR RESISTANCE: 1000 MEGOHMS MIN.
- MATES WITH SFH11, SFH210 & SFH213 IDC SOCKET SERIES.

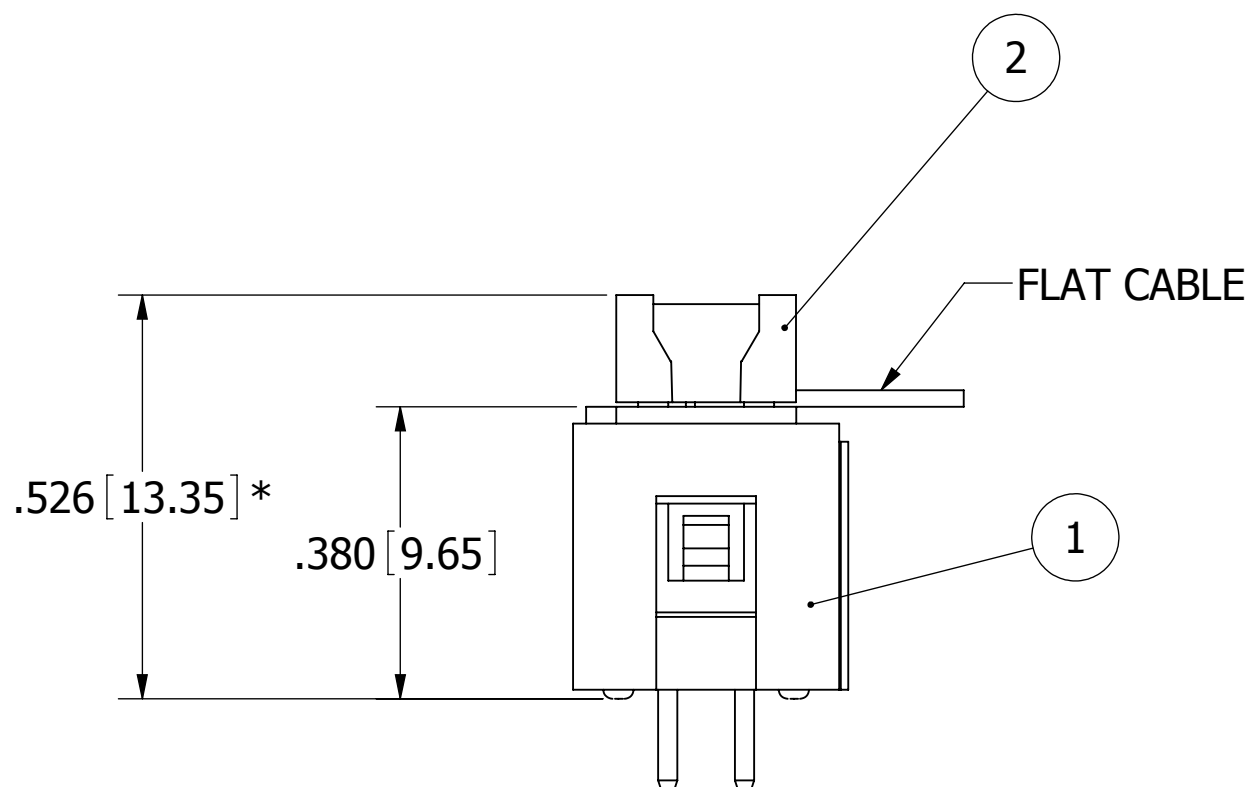


RoHS COMPLIANT

UNLESS OTHERWISE SPECIFIED: DIMENSIONS ARE IN INCHES [MM]	DRAWN	DATE	NAME	
		05/08/2008	VJ	
TOLERANCES:				TITLE BOX HEADER, .100[2.54] CC/RS, ST PART NUMBER SBH11- BPC-D __-ST-__
ANGULAR:				
DECIMALS				SIZE C
.XX = ± .012 [.3]				CAGE CODE 54453
.XXX = ± .008 [.20]				DWG. NO. 11091
.XXXX = ± .0040 [.100]				REV E
SCALE: 4:1				SHEET 1 OF 2

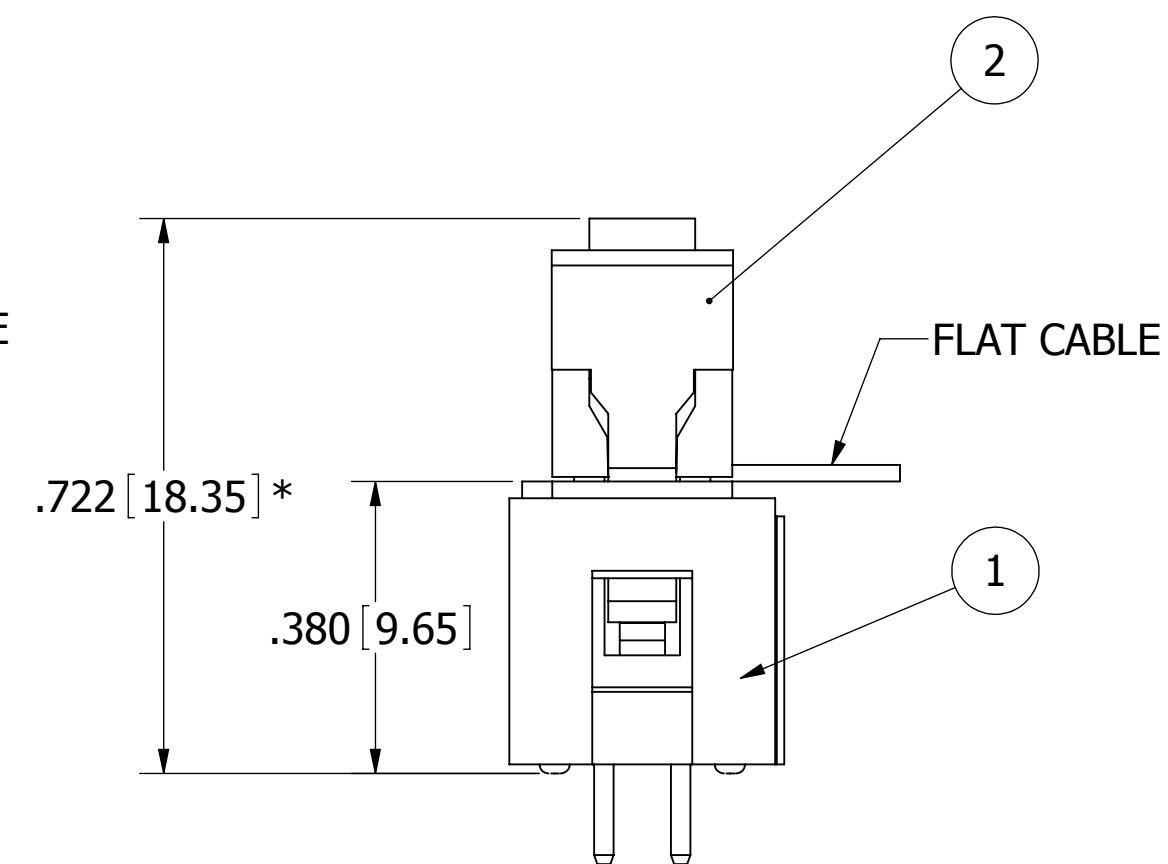


ITEM 1	SBH11- BPC-D __ -ST- __
ITEM 2 (MATES)	SFH11-P __ C-D __ -ST- __ (with polarizing key)
	SFH11-P __ C-D __ -ST- __ -M181 (without polarizing key)



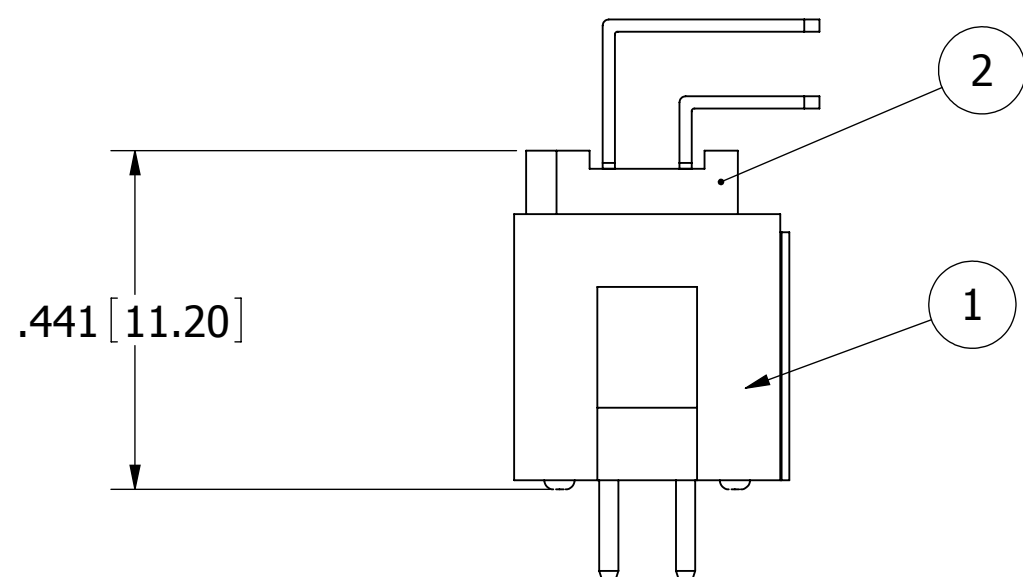
ITEM 1	SBH11- BPC-D __ -ST- __
ITEM 2** (MATES)	SFH210-PP_C-D __ -ID-BK (with polarizing key & without strain relief)
	SFH210-PP_C-D __ -ID-BK-M181 (without polarizing key & strain relief)

** COMPONENTS FOR POSITION # 3-25 AS SHOWN
* APPROXIMATE FOR ALL AVAILABEL POSITION #

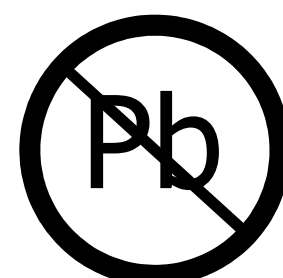


ITEM 1	SBH11- BPC-D __ -ST- __
ITEM 2** (MATES)	SFH213-PP_C-D __ -ID-BK (with polarizing key & strain relief)
	SFH213-PP_C-D __ -ID-BK-M181 (without polarizing key & with strain relief)

** COMPONENTS FOR POSITION # 3-25 AS SHOWN
* APPROXIMATE FOR ALL AVAILABEL POSITION #



ITEM 1	SBH11- BPC-D __ -ST- __
ITEM 2 (MATES)	SFH11-P __ C-D __ -RA- __ (with polarizing key)
	SFH11-P __ C-D __ -RA- __ -M181 (without polarizing key)



RoHS COMPLIANT

UNLESS OTHERWISE SPECIFIED: DIMENSIONS ARE IN INCHES [MM]	DRAWN	DATE	NAME	
		05/08/2008	VJ	
TOLERANCES: ANGULAR: DECIMALS .XX= ± .012 [.3] .XXX= ± .008 [.20] .XXXX= ± .0040 [.100]	<small>THE INFORMATION HEREIN CONTAINS PROPRIETARY INFORMATION OF SULLINS ELECTRONICS AND IS NOT TO BE REPRODUCED, USED OR DISCLOSED TO OTHERS FOR ANY PURPOSE EXCEPT AS SPECIFICALLY AUTHORIZED IN WRITING BY AN OFFICER OF SULLINS ELECTRONICS.</small>			TITLE
				BOX HEADER, .100[2.54] CC/RS, ST
	PART NUMBER			SBH11- BPC-D __ -ST- __
	SIZE	CAGE CODE	DWG. NO.	REV
	C	54453	11091	E
	SCALE: 2:1			SHEET 2 OF 2