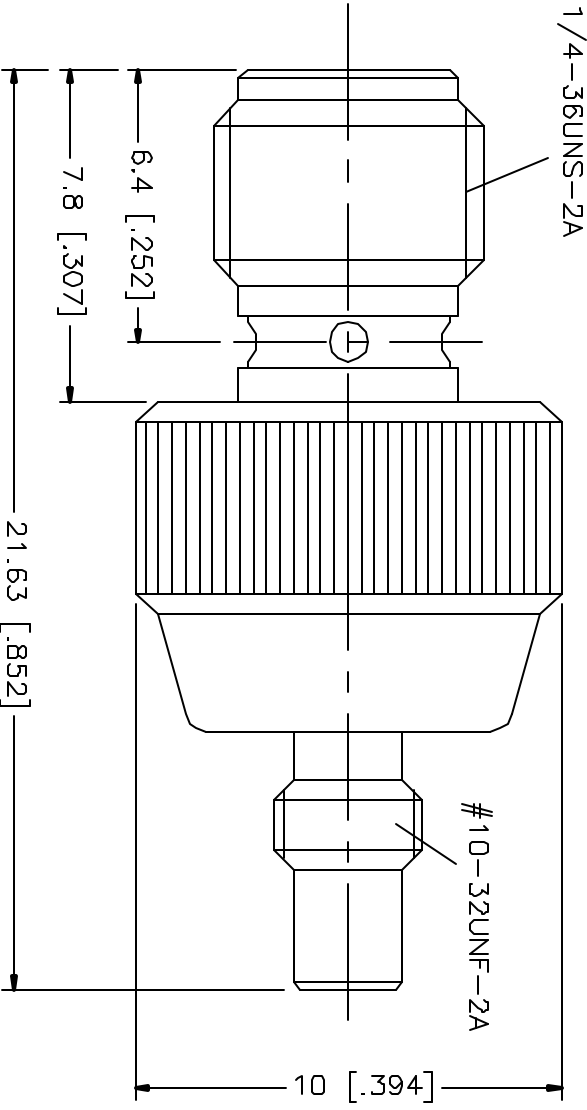


REV.	DATE	DESCRIPTION
NC	10/31/01	INITIAL RELEASE



DESCRIPTION	MATERIAL	FINISH	UNLESS OTHERWISE SPECIFIED DIMENSIONS ARE IN MILLIMETERS DIMENSIONS IN [ ] ARE IN INCHES FOR CUSTOMER REFERENCE ONLY	APPROVALS	DATE	TITLE	SIZE	FORM NO	PART NO.	DWG NO	REV.	
8			UNLESS OTHERWISE SPECIFIED DIMENSIONS ARE IN MILLIMETERS DIMENSIONS IN [ ] ARE IN INCHES FOR CUSTOMER REFERENCE ONLY	DRAWN	10/31/01	SMA JACK TO SMC JACK ADAPTOR <b>comnex</b> Connector Corporation	A	99001	242176	242176.DWG	NC	
7			UNLESS OTHERWISE SPECIFIED DIMENSIONS ARE IN MILLIMETERS DIMENSIONS IN [ ] ARE IN INCHES FOR CUSTOMER REFERENCE ONLY	CHECKED								
6			UNLESS OTHERWISE SPECIFIED DIMENSIONS ARE IN MILLIMETERS DIMENSIONS IN [ ] ARE IN INCHES FOR CUSTOMER REFERENCE ONLY	ISSUED								
5			UNLESS OTHERWISE SPECIFIED DIMENSIONS ARE IN MILLIMETERS DIMENSIONS IN [ ] ARE IN INCHES FOR CUSTOMER REFERENCE ONLY									
4			UNLESS OTHERWISE SPECIFIED DIMENSIONS ARE IN MILLIMETERS DIMENSIONS IN [ ] ARE IN INCHES FOR CUSTOMER REFERENCE ONLY									
3	CONTACT PIN	BER COPPER	0.5-6 = ± 0.2 6-30 = ± 0.4									
2	INSULATOR	TEFLON	30-120 = ± 0.6 120-315 = ± 1 315-1000 = ± 1.6 1000-2000 = ± 2.4									
1	BODY	BRASS										
	DESCRIPTION	MATERIAL	FINISH	DO NOT SCALE DRAWING								