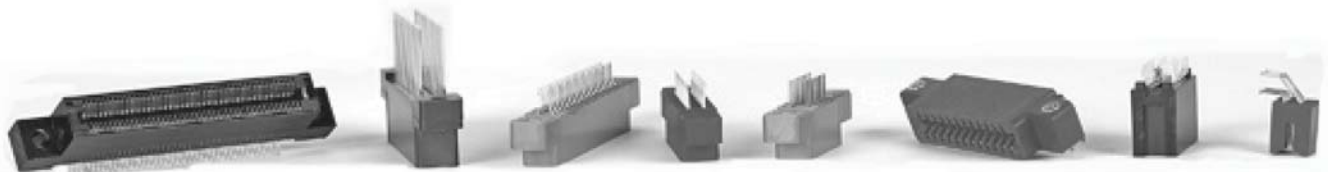




Micro Plastics Edgecards

GENERAL SPECIFICATIONS	82
PART NUMBER OPTIONS	83
.100" [2.54 mm] Contact Centers	
.431" Profile, Dip Solder	84
.431" Profile, Card Extender	86
.431" Profile, Eyelet	88
.610" Profile, Wire Wrap & Dip Solder	90
.550" Profile, .025" Square Card Extender	92
.610" Profile, Right Angle	94
.610" Profile, Special 18/31 with Barrier, Dip Solder/ Wire Wrap [ISA]	96
.125" [3.18 mm] Contact Centers	
.431" Profile, Dip Solder	98
.431" Profile, Card Extender	100
.431" Profile, Eyelet	102
.610" Profile, Wire Wrap & Dip Solder	104
.550" Profile, .025" Square Card Extender	106
.610" Profile, Right Angle	108
.150" [3.81 mm] Contact Centers	
.550" Profile, .025" Square & .026" Round Dip Solder	110
.156" [3.96 mm] Contact Centers	
.431" Profile, Dip Solder	112
.431" Profile, Card Extender	114
.431" Profile, Eyelet	116
.610" Profile, Wire Wrap & Dip Solder	118
.550" Profile, .025" Square Card Extender	120
.610" Profile, Right Angle	122
.720" Profile, .045" Square Wire Wrap	124
Polarizing Keys	
Polarizing Keys, In Between Contact & In Contact	126
Part Number Index	127





GENERAL SPECIFICATIONS

RoHS COMPLIANT



RoHS
COMPLIANT

All parts are currently manufactured with recommended materials to meet RoHS standards. All contacts have 50u" of nickel underplating, and a large selection of plating options: Pure tin matte, overall gold, or selective gold plating. For complete part number information or operating/processing temperature parameters, visit the RoHS section of our website, or refer to page 83 of this catalog.

MATERIALS

To determine Assembly Operating Temperature, take the lower of two temperatures

Insulator:			Operating Temperature	Processing Temperature
Standard	PBT, Valox*	Glass filled Thermoplastic Polyester	-65°C to +130°C	260°C / 10 Seconds
Special	PPS, Ryton*	Glass/Mineral filled Polyphenylene Sulfide, Green	-65°C to +220°C	260°C / 120 Seconds
Special	PPS, Ryton*	Glass filled Polyphenylene Sulfide, Brown	-65°C to +200°C	260°C / 120 Seconds
Special	PA9T	High Temperature Polyamide	-65°C to +150°C	260°C / 120 Seconds
Special	Peek	Glass filled Polyetheretherketone	-65°C to +250°C	

Contacts:

Standard	Phosphor Bronze (Available in All Contact Styles)	-65°C to +125°C
Special	Beryllium Copper (Consult Factory)	-65°C to +150°C
Special	Spinodal** (Consult Factory)	-65°C to +200°C
Special	Beryllium Nickel (Consult Factory)	-65°C to +300°C

Plating:

Gold and/or Tin over .000050" Nickel Underplate, Lead Free

UL/CUL File Number: E64287 Section 2

Cage Code: 31223

* Or equivalent.

** Consult factory for special soldering guidelines.

MECHANICAL

Board Insertion Force 16 oz Maximum per contact pair using .062"[1.58mm] thick steel test blade

Board Withdrawal Force 1 oz Minimum per contact pair using .062"[1.58mm] thick steel test blade

Special Insertion/Withdrawal forces available upon request

ELECTRICAL PERFORMANCE (Per Mil-C-21097C)

Insulation Resistance: 5,000 Mega Ohm

Dielectric Withstanding Voltage

Contact Centers:	.100"[2.54mm]	.125"[3.18mm]	.150"[3.81mm]	.156"[3.96mm]
Voltage:	600 VDC	800 VDC	1500 VDC	1800 VDC
	750 VAC	750 VAC	900 VAC	950 VAC

Current Rating: 3 to 5 amper (amps) per contact

Voltage Drop: 30 Milli volt at rated current

Contact Resistance: 30 Milli ohm maximum at rated current

Registered Trademarks

Sabic Innovative Plastics: Valox	Phillips 66: Ryton	RTP Compounder: PEEK	Sullins Electronics: Sullins
Gardner-Denver Co.: Wire Wrap	Ametek: Spinodal	Underwriters Labs: UL	Sullins Electronics: Zero Lead Time



MP - 0 100 - 22 - D W - 5 xxx

PLATING - RoHS Compliant

ALL PLATINGS ARE LEAD FREE AND HAVE
.000050" NICKEL UNDERPLATE

	Contact Surface	Termination
*MPSL =	.000010" Gold	.000100" Pure Tin Matte
*EMPSL =	.000010" Gold	.000100" Pure Tin Matte
*MPL =	.000100" Overall Pure Tin, Matte	
*EMPL =	.000100" Overall Pure Tin, Matte	
MP =	.000010" Overall Gold	
EMP =	.000010" Overall Gold	
MPP =	Spinodal Contact Material (Overall Gold Only)	
EMPP =	Spinodal Contact Material (Overall Gold Only)	

*** Requires 'K' Modification Code**

Platings that start with 'E' are for Economy Eyelet Only
Other Plating and thicknesses available upon request.

INSULATOR MATERIAL

All Materials are U.L. Approved 94V-0

0 =	PBT, Blue
1 =	PPS, Brown
2 =	PBT, Green
3 =	PBT, Black
4 =	PA9T, Black
5 =	PPS, Black
6 =	PPS, Green
7 =	PPS, Brown
8 =	Peek, Natural

CONTACT CENTERS

100 =	.100" [2.54mm]
125 =	.125" [3.18mm]
150 =	.150" [3.84mm]
156 =	.156" [3.96mm]

NUMBER OF POSITIONS

02 - 70 Contacts Per Row

READOUT

D = Dual Row

TERMINATION TYPE

FS =	.045" Square Tails - .720" Insulator Height
P =	Solder Eyelet - .431" Insulator Height
PE =	Economy Eyelet - .431" Insulator Height, Card Extender, .156" only
R =	.026" Round Tails - .610" Insulator Height,
S =	Dip Solder - .431" Insulator Height
SE =	Card Extender - .431" Insulator Height
W =	.025" Square Wire Wrap - .610" Insulator Height
WE =	.025" Square Card Extender - .610" Insulator Height

MOUNTING STYLE

- 1 = **.125" Clearance Holes**
.245" Ears, .431" Insulator Height
.250" Flush Ears, .610" Insulator Height
- 2 = **#4-40 Threaded Insert**
.245" Ears, .431" Insulator Height
.250" Flush Ears, .610" Insulator Height
- 3 = **Floating Bobbin**
.220" Ears not Including Bobbin
on All Connectors
(Flush Ears on .610 Insulator Height)
- 4 = **No Mounting Ears**
All Connectors
- 5 = **Raised with .125" Clearance Holes**
Wire Wrap Only, .610" Insulator Height
- 6 = **Raised with #4-40 Threaded Insert**
Wire Wrap Only, .610" Insulator Height
- 8 = **.125" Side Holes (Cross Drilled)**
- 9 = **One Ear, .125" Clearance Hole**
Dip Solder & Eyelet
- 10 = **One Ear, #4-40 Threaded Insert**
Dip Solder & Eyelet
- 11 = **.142" Mounting Holes**
.431" Insulator Height, Dip Solder, Eyelet
.610" Insulator Height, Wire Wrap
- 12 = **.128" Clearance Holes**
.431" Insulator Height, Dip Solder & Eyelet
.610" Insulator Height, Wire Wrap
- 13 = **Flush Ears, .128" Clearance Holes**
.430" Ears with Pad on .610" Insulator
Height, Wire Wrap Only
- 14 = **.142" Side Holes (Cross Drilled)**
.431" Insulator Height, Dip Solder, Eyelet
.610" Insulator Height, Wire Wrap
- 15 = **Flush Ears, .125" Clearance Holes**
.190" Ears, No Pad
.610" Insulator Height, Wire Wrap Only
- 16 = **Flush .250" Ears to top of the
Card Entry Side of the Connector,**
.610" Insulator Height, Wire Wrap Only
- 18 = **Flush Ears, .125" Side Holes**
(Cross Drilled)
- 19 = **.152" Clearance Holes**
.610" Insulator Height, Wire Wrap Only
- 58 = **Raised Ears, .125" Side Holes**
(Cross Drilled)
- 81 = **Flush Ears, .125" Side Holes**
.250" Ears with Pad, .610" Insulator Height,
Wire Wrap
- 86 = **Side Holes with #4-40 Threaded Insert**
.250" Ears with Pad, .610" Insulator Height

MODIFICATION CODE

CONSULT FACTORY FOR OTHER OPTIONS

- A = **Contacts Loaded one side only**
- B = **Center Barrier for 28/56 -**
.156" Dip Solder & Eyelet
- C = **.030" Longer Cardslot and
Mounting Hole Centers for 22/44,**
All .156" (Consult Factory)
- D = **.000050" Gold Plating -**
(Consult Factory)
- E9 = **.200" Row Spacing on .156"
Contact Centers**
- F = **6.802" Cardslot for 43/86**
.156" Eyelet & Wire Wrap Only
- F9 = **6.802" Cardslot and .200" Row
Spacing for 43/86 Dip Solder Only**
- G = **.000030" Gold Plating**
- H = **.190" Contact Length for .025"
Square & .026" Round Contacts**
.250" Contact Length without
Standoffs
- J = **Low Insertion Force**
- K = **MPSL - Selective Gold with Pure
Tin, Matte Plating on Tails**
MPL - Overall Pure Tin, Matte
- L = **.140" Contact Length for**
.156" Dip Solder Only
- M = **Pad on Bottom of Mounting Ears**
for .156", .431" Insulator Height,
Dip Solder & Eyelet Only
- N = **Hi-light Contact ID on Bottom**
(Consult Factory)
- P = **Engraving Reversed**
(Consult Factory)
- Q = **Right Angle Connector Contacts
Untrimmed**
(Requires 'R' Modification Code)
- R = **Right Angle Connectors**
- S = **Shorter Overall Length**
- T = **Center Standoffs Removed**
.100" & .125" Wire Wrap Only
- TT = **No Standoffs**
- U = **.000020" Gold Plating**
- X9 = **.200" Row Spacing for**
.100" & .156" Dip Solder Only
.250" Row Spacing for
.125" Dip Solder Only
- Y = **Beryllium Copper Contacts**
- Z = **Standoffs on .156" Wire Wrap**

Micro Plastics Edgards

See applicable specification pages for more information.

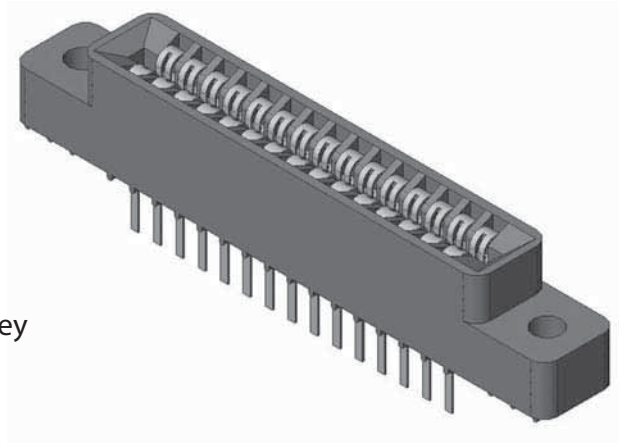
Specifications are subject to change without notice.



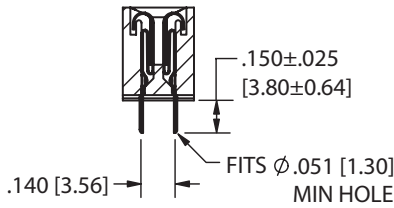
**.100" Contact Centers, .431" Insulator Height,
Dip Solder**

SPECIFICATIONS

- Accommodates $.062" \pm .008"$ [1.57 ± 0.20] PC Board
- Insulator Material available in PBT, PPS or PA9T
- 3 Amp Current Rating per contact
- Insulator / Contact Specifications and Part Number Coding See Page 82-83
- Row Spacing Available in .140" or .200" (Use Modification Code 'X9' for .200")
- P/N 04-0003-000 for In Between Contact Position Key See Page 126 (Sold Separately)
- Molded-in Key Available - Consult Factory

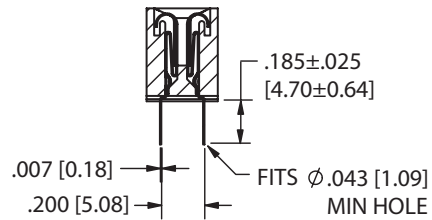


TERMINATION TYPE



**DIP SOLDER (S)
.140" ROW SPACING**

Example P/N: MP~~S~~L-0100-10-DS-1K

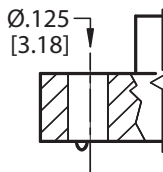


**DIP SOLDER (S)
.200" ROW SPACING
USE 'X9' MODIFICATION CODE**

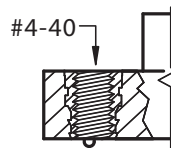
Example P/N: MP~~S~~L-0100-10-DS-1X9K

Micro Plastics Edgards

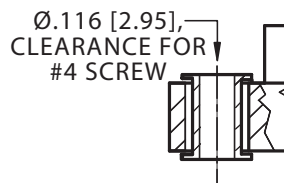
MOUNTING STYLE



(STYLE 1)



(STYLE 2)



(STYLE 3)



(STYLE 4)



PART NUMBER CODING

MPSL - 0 100 - 10 - D S - 1 K

PLATING - RoHS Compliant
All Platings are Lead Free and have .000050" Nickel Underplate

Contact Surface Termination

*MPSL = .000010" Gold .000100" Pure Tin, Matte
*MPL = .000100" Overall Pure Tin, Matte
MP = .000010" Overall Gold

***Requires 'K' Modification Code**

INSULATOR MATERIAL**
0 = PBT

CONTACT CENTERS
100 = .100" [2.54mm]

NUMBER OF POSITIONS
Contacts Per Row (See Position Chart Below)

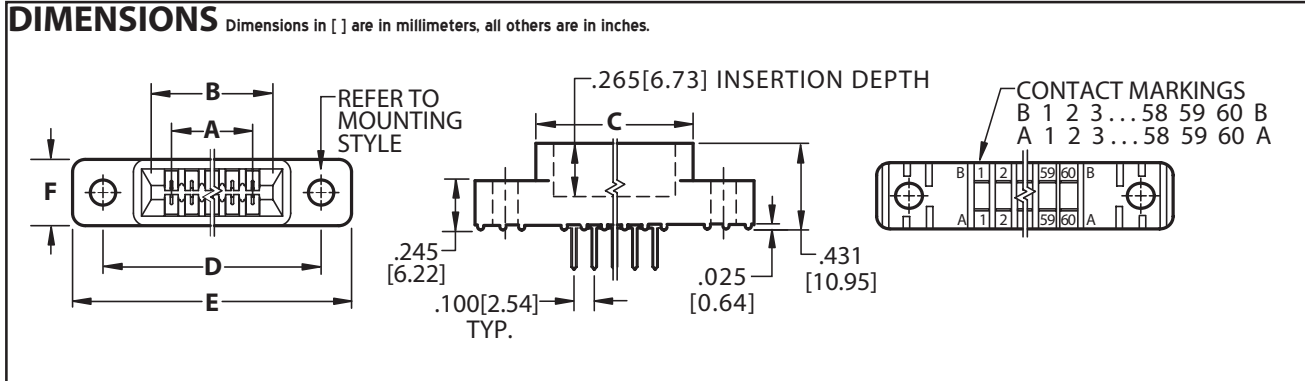
MODIFICATION CODE**
K = Required on MPSL or MPL Plating
Omit for MP Plating (Overall Gold)
X9 = .200" Row Spacing

MOUNTING STYLE (See Opposite Page)
1 = .125" Clearance Hole
2 = #4-40 Threaded Insert
3 = Floating Bobbin
4 = No Mounting

TERMINATION TYPE (See Opposite Page)
S = Dip Solder

READOUT
D = Dual

**** SEE PAGES 82-83 FOR SPECIFICATIONS AND OTHER VARIATIONS**



POSITIONS/ CONTACTS	INCHES					F±.005	[MILLIMETERS]					F±0.13
	A±.008	B±.008	C±.015	D±.010	E±.020		A±0.20	B±0.20	C±0.38	D±0.25	E±0.51	
05/10	0.400	0.600	0.775	1.075	1.375	0.330	10.16	15.24	19.69	27.31	34.93	8.38
06/12	0.500	0.700	0.875	1.175	1.475		12.70	17.78	22.23	29.85	37.47	
07/14	0.600	0.800	0.975	1.275	1.575		15.24	20.32	24.77	32.39	40.01	
08/16	0.700	0.900	1.075	1.375	1.675		17.78	22.86	27.31	34.93	42.55	
10/20	0.900	1.100	1.275	1.575	1.875		22.86	27.94	32.39	40.01	47.63	
12/24	1.100	1.300	1.475	1.775	2.075		27.94	33.02	37.47	45.09	52.71	
13/26	1.200	1.400	1.575	1.875	2.175		30.48	35.56	40.01	47.63	55.25	
15/30	1.400	1.600	1.775	2.075	2.375		35.56	40.64	45.09	52.71	60.33	
17/34	1.600	1.800	1.975	2.275	2.575		40.64	45.72	50.17	57.79	65.41	
18/36	1.700	1.900	2.075	2.375	2.675		43.18	48.26	52.71	60.33	67.95	
19/38	1.800	2.000	2.175	2.475	2.775		45.72	50.80	55.25	62.87	70.49	
20/40	1.900	2.100	2.275	2.575	2.875		48.26	53.34	57.79	65.41	73.03	
22/44	2.100	2.300	2.475	2.775	3.075		53.34	58.42	62.87	70.49	78.11	
25/50	2.400	2.600	2.775	3.075	3.375		60.96	66.04	70.49	78.11	85.73	
26/52	2.500	2.700	2.875	3.175	3.475		63.50	68.58	73.03	80.65	88.27	
28/56	2.700	2.900	3.075	3.375	3.675		68.58	73.66	78.11	85.73	93.35	
30/60	2.900	3.100	3.275	3.575	3.875		73.66	78.74	83.19	90.81	98.43	
31/62	3.000	3.200	3.375	3.675	3.975		76.20	81.28	85.73	93.35	100.97	
35/70	3.400	3.600	3.775	4.075	4.375		86.36	91.44	95.89	103.51	111.13	
36/72	3.500	3.700	3.875	4.175	4.475	88.90	93.98	98.43	106.05	113.67		
40/80	3.900	4.100	4.275	4.575	4.875	99.06	104.14	108.59	116.21	123.83		
43/86	4.200	4.400	4.575	4.875	5.175	106.68	111.76	116.21	123.83	131.45		
44/88	4.300	4.500	4.675	4.975	5.275	109.22	114.30	118.75	126.37	133.99		
49/98	4.800	5.000	5.175	5.475	5.775	121.92	127.00	131.45	139.07	146.69		
50/100	4.900	5.100	5.275	5.575	5.875	124.46	129.54	133.99	141.61	149.23		
60/120	5.900	6.100	6.275	6.575	6.875	149.86	154.94	159.39	167.01	174.63		
65/130	6.400	6.600	6.775	7.075	7.375	162.56	167.64	172.09	179.71	187.33		

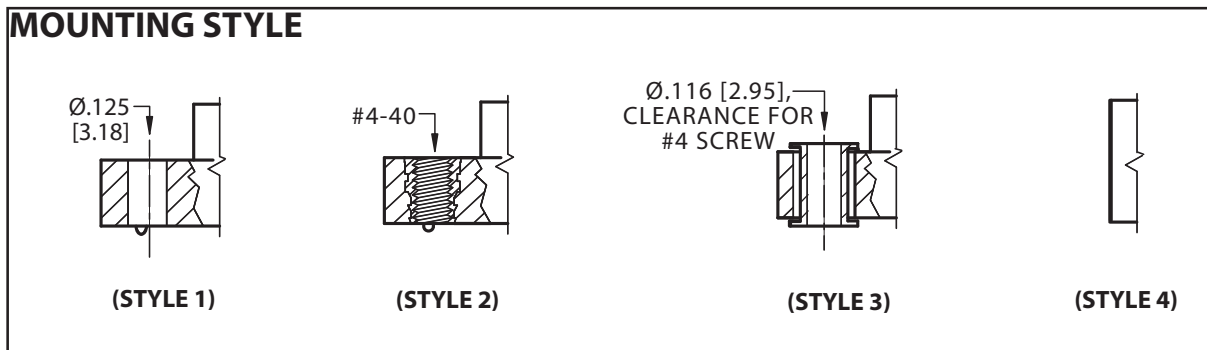
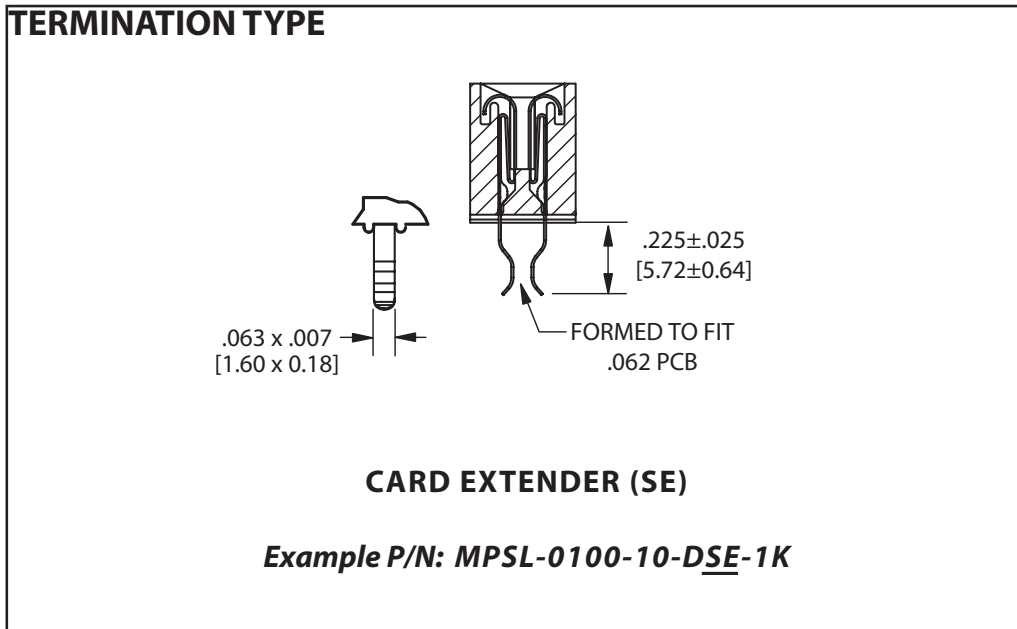
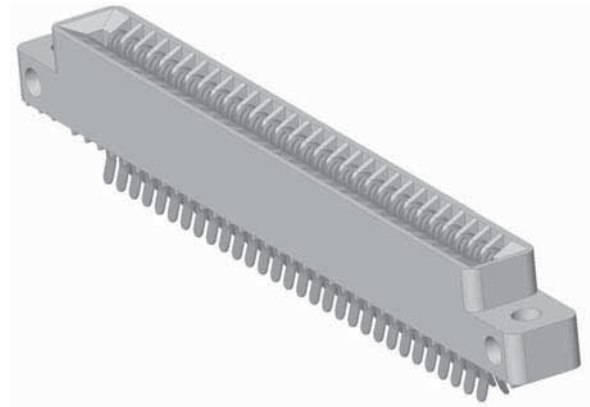
Micro Plastics Edgecards



**.100" Contact Centers, .431" Insulator Height,
Card Extender**

SPECIFICATIONS

- Accommodates $.062" \pm .008"$ [1.57 ± 0.20] PC Board
- Insulator Material available in PBT, PPS or PA9T
- 3 Amp Current Rating per contact
- Insulator / Contact Specifications and Part Number Coding See Page 82-83
- P/N 04-0003-000 for In Between Contact Position Key See Page 126 (Sold Separately)
- Molded-in Key Available - Consult Factory



Micro Plastics Edgards



PART NUMBER CODING

MPSL - 0 100 - 10 - D SE - 1 K

PLATING - RoHS Compliant

All Platings are Lead Free and have .000050" Nickel Underplate

Contact Surface Termination

*MPSL = .000010" Gold .000100" Pure Tin Matte

*MPL = .000100" Overall Pure Tin, Matte

MP = .000010" Overall Gold

*** Requires 'K' Modification Code**

Other Plating and thicknesses available upon request

INSULATOR MATERIAL**

0 = PBT

CONTACT CENTERS

100 = .100" [2.54mm]

NUMBER OF POSITIONS

Contacts Per Row (See Position Chart Below)

PLATING MODIFICATION CODE**

K = Required on Tin Plating

Omit for MP Plating (Overall Gold)

MOUNTING STYLE (See Opposite Page)

1 = .125" Clearance Hole

2 = #4-40 Threaded Insert

3 = Floating Bobbin

4 = No Mounting

TERMINATION TYPE (See Opposite Page)

SE = Card Extender

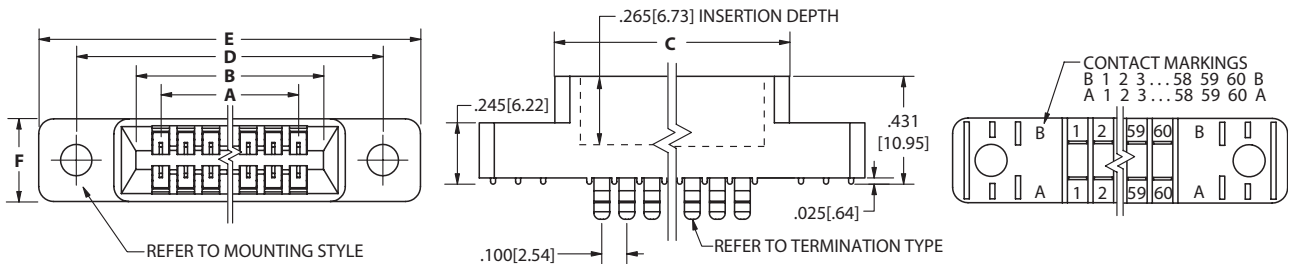
READOUT

D = Dual

**** SEE PAGES 82-83 FOR SPECIFICATIONS AND OTHER VARIATIONS**

DIMENSIONS

Dimensions in [] are in millimeters, all others are in inches.



POSITIONS/ CONTACTS	INCHES					[MILLIMETERS]						
	A±.008	B±.008	C±.015	D±.010	E±.020	F±.005	A±0.20	B±0.20	C±0.38	D±0.25	E±0.51	F±0.13
05/10	0.400	0.600	0.775	1.075	1.375	0.330	10.16	15.24	19.69	27.31	34.93	8.38
06/12	0.500	0.700	0.875	1.175	1.475		12.70	17.78	22.23	29.85	37.47	
07/14	0.600	0.800	0.975	1.275	1.575		15.24	20.32	24.77	32.39	40.01	
08/16	0.700	0.900	1.075	1.375	1.675		17.78	22.86	27.31	34.93	42.55	
10/20	0.900	1.100	1.275	1.575	1.875		22.86	27.94	32.39	40.01	47.63	
12/24	1.100	1.300	1.475	1.775	2.075		27.94	33.02	37.47	45.09	52.71	
13/26	1.200	1.400	1.575	1.875	2.175		30.48	35.56	40.01	47.63	55.25	
15/30	1.400	1.600	1.775	2.075	2.375		35.56	40.64	45.09	52.71	60.33	
17/34	1.600	1.800	1.975	2.275	2.575		40.64	45.72	50.17	57.79	65.41	
18/36	1.700	1.900	2.075	2.375	2.675		43.18	48.26	52.71	60.33	67.95	
19/38	1.800	2.000	2.175	2.475	2.775		45.72	50.80	55.25	62.87	70.49	
20/40	1.900	2.100	2.275	2.575	2.875		48.26	53.34	57.79	65.41	73.03	
22/44	2.100	2.300	2.475	2.775	3.075		53.34	58.42	62.87	70.49	78.11	
25/50	2.400	2.600	2.775	3.075	3.375		60.96	66.04	70.49	78.11	85.73	
26/52	2.500	2.700	2.875	3.175	3.475		63.50	68.58	73.03	80.65	88.27	
28/56	2.700	2.900	3.075	3.375	3.675	68.58	73.66	78.11	85.73	93.35		
30/60	2.900	3.100	3.275	3.575	3.875	73.66	78.74	83.19	90.81	98.43		
31/62	3.000	3.200	3.375	3.675	3.975	76.20	81.28	85.73	93.35	100.97		
35/70	3.400	3.600	3.775	4.075	4.375	86.36	91.44	95.89	103.51	111.13		
36/72	3.500	3.700	3.875	4.175	4.475	88.90	93.98	98.43	106.05	113.67		
40/80	3.900	4.100	4.275	4.575	4.875	99.06	104.14	108.59	116.21	123.83		
43/86	4.200	4.400	4.575	4.875	5.175	106.68	111.76	116.21	123.83	131.45		
44/88	4.300	4.500	4.675	4.975	5.275	109.22	114.30	118.75	126.37	133.99		
49/98	4.800	5.000	5.175	5.475	5.775	121.92	127.00	131.45	139.07	146.69		
50/100	4.900	5.100	5.275	5.575	5.875	124.46	129.54	133.99	141.61	149.23		
60/120	5.900	6.100	6.275	6.575	6.875	149.86	154.94	159.39	167.01	174.63		
65/130	6.400	6.600	6.775	7.075	7.375	162.56	167.64	172.09	179.71	187.33		

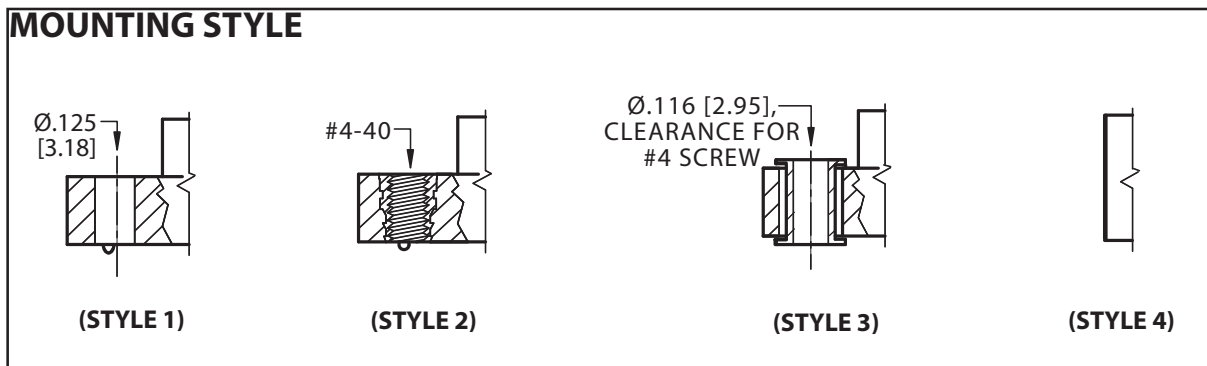
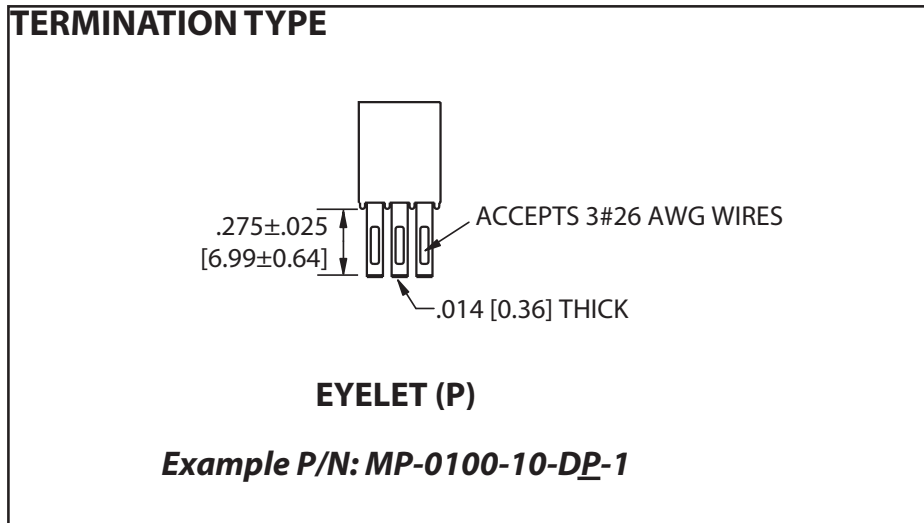
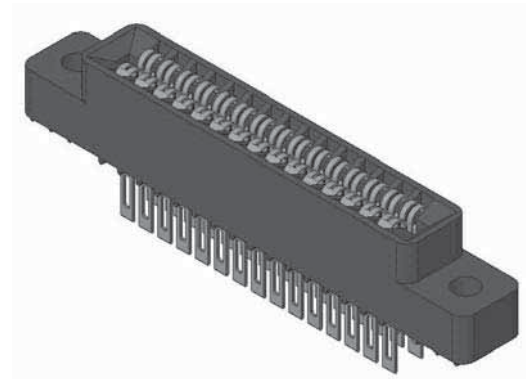
Micro Plastics Edgcards



**.100" Contact Centers, .431" Insulator Height,
Eyelet**

SPECIFICATIONS

- Accommodates $.062" \pm .008"$ [1.57 ± 0.20] PC Board
- Insulator Material available in PBT, PPS or PA9T
- 3 Amp Current Rating per contact
- Insulator / Contact Specifications and
- Part Number Coding See Page 82-83
- P/N 04-0003-000 for In Between Contact Position Key See Page 126 (Sold Separately)
- Molded-in Key Available - Consult Factory



Micro Plastics Edgards



PART NUMBER CODING

MPL - 0 100 - 10 - D P - 1 K

PLATING - RoHS Compliant

All Platings are Lead Free and have .000050" Nickel Underplate
 *MPL = .000100" Overall Pure Tin, Matte
 MP = .000010" Overall Gold
 * Requires 'K' Modification Code
 Other Plating and thicknesses available upon request

INSULATOR MATERIAL**

0 = PBT

CONTACT CENTERS

100 = .100" [2.54mm]

NUMBER OF POSITIONS

Contacts Per Row (See Position Chart Below)

PLATING MODIFICATION CODE**

K = Required on Tin Plating
 Omit for MP Plating (Overall Gold)

MOUNTING STYLE (See Opposite Page)

- 1 = .125" Clearance Hole
- 2 = #4-40 Threaded Insert
- 3 = Floating Bobbin
- 4 = No Mounting

TERMINATION TYPE (See Opposite Page)

P = Pierced Eyelet, .014" Thick

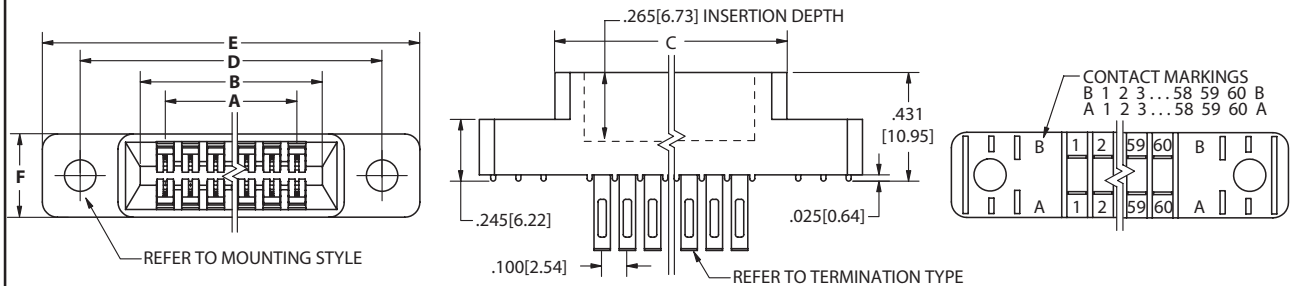
READOUT

D = Dual

**** SEE PAGES 82-83 FOR SPECIFICATIONS AND OTHER VARIATIONS**

DIMENSIONS

Dimensions in [] are in millimeters, all others are in inches.



POSITIONS/ CONTACTS	INCHES						[MILLIMETERS]					
	A±.008	B±.008	C±.015	D±.010	E±.020	F±.005	A±0.20	B±0.20	C±0.38	D±0.25	E±0.51	F±0.13
05/10	0.400	0.600	0.775	1.075	1.375	0.330	10.16	15.24	19.69	27.31	34.93	8.38
06/12	0.500	0.700	0.875	1.175	1.475		12.70	17.78	22.23	29.85	37.47	
07/14	0.600	0.800	0.975	1.275	1.575		15.24	20.32	24.77	32.39	40.01	
08/16	0.700	0.900	1.075	1.375	1.675		17.78	22.86	27.31	34.93	42.55	
10/20	0.900	1.100	1.275	1.575	1.875		22.86	27.94	32.39	40.01	47.63	
12/24	1.100	1.300	1.475	1.775	2.075		27.94	33.02	37.47	45.09	52.71	
13/26	1.200	1.400	1.575	1.875	2.175		30.48	35.56	40.01	47.63	55.25	
15/30	1.400	1.600	1.775	2.075	2.375		35.56	40.64	45.09	52.71	60.33	
17/34	1.600	1.800	1.975	2.275	2.575		40.64	45.72	50.17	57.79	65.41	
18/36	1.700	1.900	2.075	2.375	2.675		43.18	48.26	52.71	60.33	67.95	
19/38	1.800	2.000	2.175	2.475	2.775		45.72	50.80	55.25	62.87	70.49	
20/40	1.900	2.100	2.275	2.575	2.875		48.26	53.34	57.79	65.41	73.03	
22/44	2.100	2.300	2.475	2.775	3.075		53.34	58.42	62.87	70.49	78.11	
25/50	2.400	2.600	2.775	3.075	3.375		60.96	66.04	70.49	78.11	85.73	
26/52	2.500	2.700	2.875	3.175	3.475		63.50	68.58	73.03	80.65	88.27	
28/56	2.700	2.900	3.075	3.375	3.675		68.58	73.66	78.11	85.73	93.35	
30/60	2.900	3.100	3.275	3.575	3.875		73.66	78.74	83.19	90.81	98.43	
31/62	3.000	3.200	3.375	3.675	3.975	76.20	81.28	85.73	93.35	100.97		
35/70	3.400	3.600	3.775	4.075	4.375	86.36	91.44	95.89	103.51	111.13		
36/72	3.500	3.700	3.875	4.175	4.475	88.90	93.98	98.43	106.05	113.67		
40/80	3.900	4.100	4.275	4.575	4.875	99.06	104.14	108.59	116.21	123.83		
43/86	4.200	4.400	4.575	4.875	5.175	106.68	111.76	116.21	123.83	131.45		
44/88	4.300	4.500	4.675	4.975	5.275	109.22	114.30	118.75	126.37	133.99		
49/98	4.800	5.000	5.175	5.475	5.775	121.92	127.00	131.45	139.07	146.69		
50/100	4.900	5.100	5.275	5.575	5.875	124.46	129.54	133.99	141.61	149.23		
60/120	5.900	6.100	6.275	6.575	6.875	149.86	154.94	159.39	167.01	174.63		
65/130	6.400	6.600	6.775	7.075	7.375	162.56	167.64	172.09	179.71	187.33		

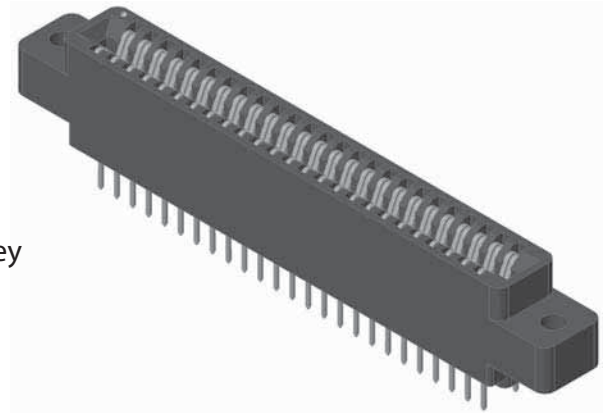
Micro Plastics Edgcards



**.100" Contact Centers, .610" Insulator Height,
Wire Wrap & Dip Solder**

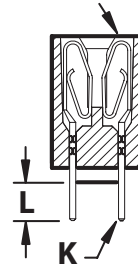
SPECIFICATIONS

- Accommodates .062" ± .008" [1.57 ± 0.20] PC Board
- Insulator Material available in PBT, PPS or PA9T
- 3 Amp Current Rating per contact
- Insulator / Contact Specifications and Part Number Coding See Page 82-83
- P/N 04-0004-000 for In Between Contact Position Key See Page 126 (Sold Separately)
- Molded-in Key Available - Consult Factory



TERMINATION TYPE

LOOP BELLOWS

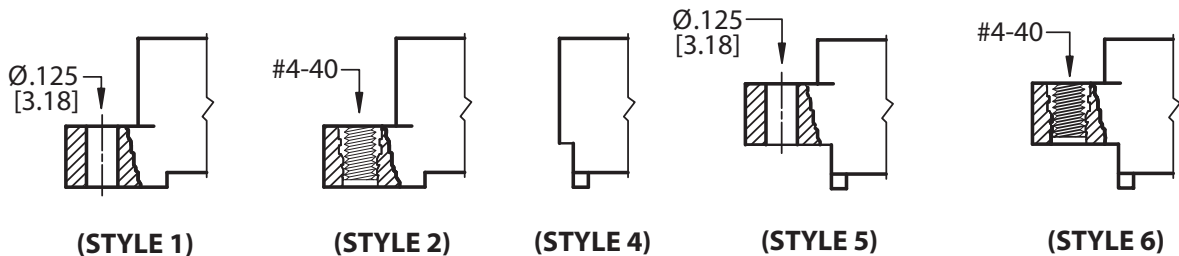


LOOP BELLOWS

TERMINATION CODE	MODIFICATION CODE	TYPE	POST CROSS SECTION K	POST LENGTH L	FITS MIN. HOLE SIZE	EXAMPLE PART NUMBER
R	H	Dip Solder	.026 [0.66] Round	.190 [4.83]	.030 [0.76]	<i>MPSL-0100-10-DR-1HK</i>
R	H(.165)	Dip Solder	.026 [0.66] Round	.165 [4.19]	.030 [0.76]	<i>MPSL-0100-10-DR-1HK(.165)</i>
W	H	Dip Solder	.025 [0.64] Square	.190 [4.83]	.040 [1.02]	<i>MPSL-0100-10-DW-1HK</i>
W	OMIT	Wire Wrap	.025 [0.64] Square	.560 [14.20]	.040 [1.02]	<i>MPSL-0100-10-DW-1K</i>

Micro Plastics Edgards

MOUNTING STYLE



**.100" Contact Centers, .610" Insulator Height,
Wire Wrap & Dip Solder**



PART NUMBER CODING

MPSL - 0 100 - 10 - D W - 1 H K

PLATING - RoHS Compliant
All Platings are Lead Free and have .000050" Nickel Underplate

Contact Surface Termination

*MPSL = .000010" Gold .000100" Pure Tin, Matte
*MPL = .000100" Overall Pure Tin, Matte
MP = .000010" Overall Gold

***Requires 'K' Modification Code**

INSULATOR MATERIAL**
0 = PBT

CONTACT CENTERS
100 = .100" [2.54mm]

NUMBER OF POSITIONS
Contacts Per Row (See Position Chart Below)

READOUT
D = Dual

PLATING MODIFICATION CODE**
K = Required on MPSL or MPL Plating
Omit for MP Plating (Overall Gold)

MODIFICATION CODE**
(See Opposite Page)
H = Dip Solder .190[4.83] Tail Length
(.026 Round or .025 Square)
H(.165) = Dip Solder .165[4.19] Tail Length
(.026 Round Only)

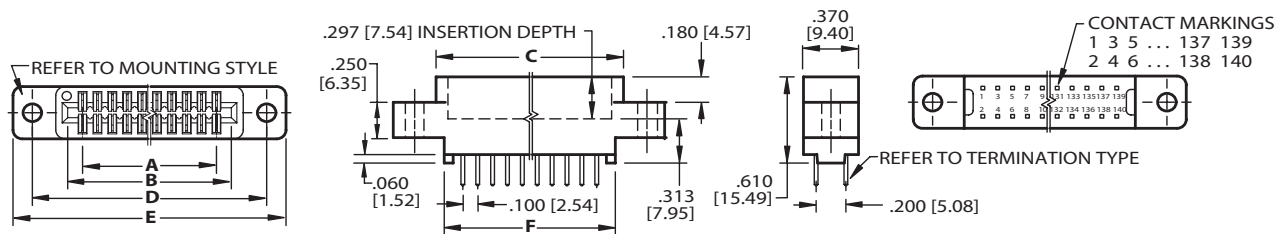
MOUNTING STYLE (See Opposite Page)
1 = .125" Clearance Hole
2 = #4-40 Threaded Insert
4 = No Mounting
5 = Raised, .125" Clearance Hole
6 = Raised, #4-40 Threaded Insert

TERMINATION TYPE (See Opposite Page)
LOOP BELLOWS
R = .026[.66mm] Round
W = .025[.64mm] Square

**** SEE PAGES 82-83 FOR SPECIFICATIONS AND OTHER VARIATIONS**

DIMENSIONS

Dimensions in [] are in millimeters, all others are in inches.



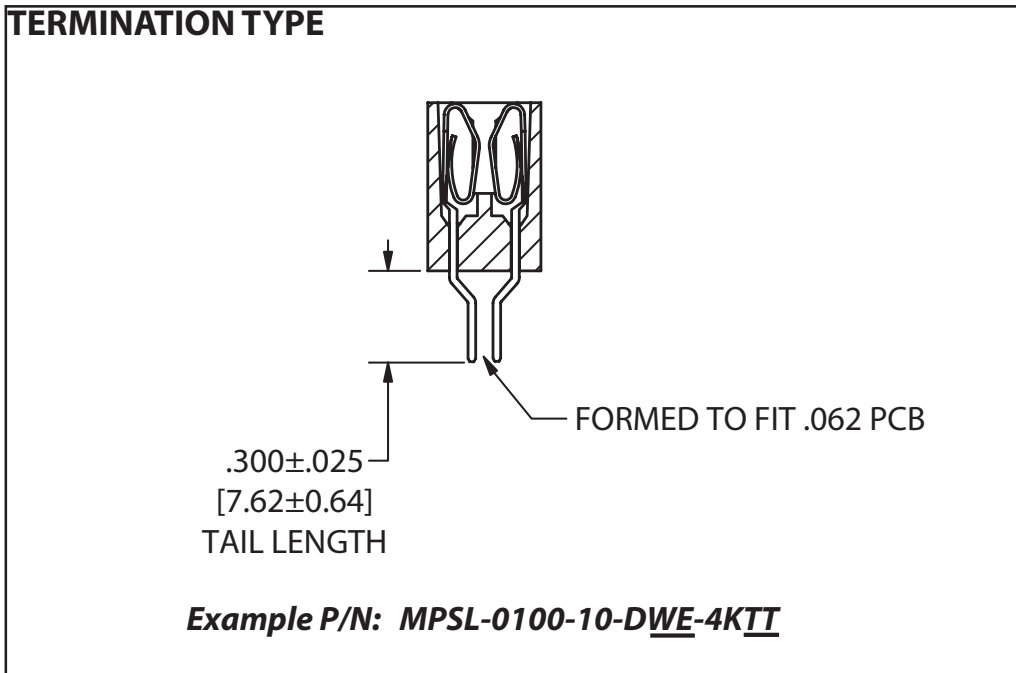
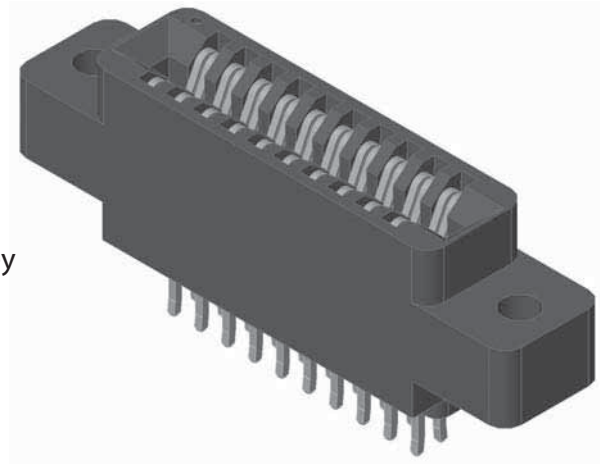
POSITIONS/ CONTACTS	INCHES						[MILLIMETERS]					
	A±.008	B±.008	C±.015	D±.010	E±.020	F±.015	A±0.20	B±0.20	C±0.38	D±0.25	E±0.51	F±0.38
06/12	0.500	0.700	0.860	1.175	1.435	0.750	12.70	17.78	21.84	29.85	36.45	19.05
08/16	0.700	0.900	1.060	1.375	1.635	0.950	17.78	22.86	26.92	34.93	41.53	24.13
10/20	0.900	1.100	1.260	1.575	1.835	1.150	22.86	27.94	32.00	40.01	46.61	29.21
12/24	1.100	1.300	1.460	1.775	2.035	1.350	27.94	33.02	37.08	45.09	51.69	34.29
13/26	1.200	1.400	1.560	1.875	2.135	1.450	30.48	35.56	39.62	47.63	54.23	36.83
15/30	1.400	1.600	1.760	2.075	2.335	1.650	35.56	40.64	44.70	52.71	59.31	41.91
17/34	1.600	1.800	1.960	2.275	2.535	1.850	40.64	45.72	49.78	57.79	64.39	46.99
18/36	1.700	1.900	2.060	2.375	2.635	1.950	43.18	48.26	52.32	60.33	66.93	49.53
20/40	1.900	2.100	2.260	2.575	2.835	2.150	48.26	53.34	57.40	65.41	72.01	54.61
22/44	2.100	2.300	2.460	2.775	3.035	2.350	53.34	58.42	62.48	70.49	77.09	59.69
24/48	2.300	2.500	2.660	2.975	3.235	2.550	58.42	63.50	67.56	75.57	82.17	64.77
25/50	2.400	2.600	2.760	3.075	3.335	2.650	60.96	66.04	70.10	78.11	84.71	67.31
28/56	2.700	2.900	3.060	3.375	3.635	2.950	68.58	73.66	77.72	85.73	92.33	74.93
30/60	2.900	3.100	3.260	3.575	3.835	3.150	73.66	78.74	82.80	90.81	97.41	80.01
31/62	3.000	3.200	3.360	3.675	3.935	3.250	76.20	81.28	85.34	93.35	99.95	82.55
35/70	3.400	3.600	3.760	4.075	4.335	3.650	86.36	91.44	95.50	103.51	110.11	92.71
36/72	3.500	3.700	3.860	4.175	4.435	3.750	88.90	93.98	98.04	106.05	112.65	95.25
40/80	3.900	4.100	4.260	4.575	4.835	4.150	99.06	104.14	108.20	116.21	122.81	105.41
43/86	4.200	4.400	4.560	4.875	5.135	4.450	106.68	111.76	115.82	123.83	130.43	113.03
44/88	4.300	4.500	4.660	4.975	5.235	4.550	109.22	114.30	118.36	126.37	132.97	115.57
50/100	4.900	5.100	5.260	5.575	5.835	5.150	124.46	129.54	133.60	141.61	148.21	130.81
55/110	5.400	5.600	5.760	6.075	6.335	5.650	137.16	142.24	146.30	154.31	160.91	143.51
60/120	5.900	6.100	6.260	6.575	6.835	6.150	149.86	154.94	159.00	167.01	173.61	156.21
61/122	6.000	6.200	6.360	6.675	6.935	6.250	152.40	157.48	161.54	169.55	176.15	158.75
65/130	6.400	6.600	6.760	7.075	7.335	6.650	162.56	167.64	171.70	179.71	186.31	168.91
70/140	6.900	7.100	7.260	7.575	7.835	7.150	175.26	180.34	184.40	192.41	199.01	181.61



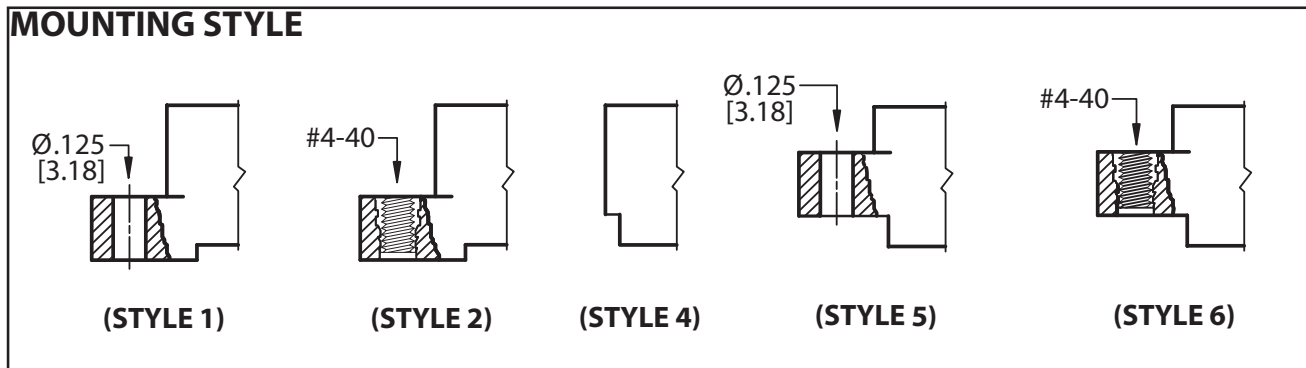
**.100" Contact Centers, .550" Insulator Height,
.025" Square Card Extender**

SPECIFICATIONS

- Accommodates $.062" \pm .008"$ [1.57 ± 0.20] PC Board
- Insulator Material available in PBT, PPS or PA9T
- 3 Amp Current Rating per contact
- Insulator / Contact Specifications and Part Number Coding See Page 82-83
- P/N 04-0004-000 for In Between Contact Position Key See Page 126 (Sold Separately)
- Molded-in Key Available - Consult Factory



Micro Plastics Edgards





PART NUMBER CODING

MPSL - 0 100 - 10 - D WE - 4 K TT

PLATING - RoHS Compliant
All Platings are Lead Free and have .000050" Nickel Underplate

Contact Surface	Termination
*MPSL = .000010" Gold	.000100" Pure Tin, Matte
*MPL = .000100" Overall Pure Tin, Matte	
MP = .000010" Overall Gold	

*Requires 'K' Modification Code

INSULATOR MATERIAL **
0 = PBT

CONTACT CENTERS
100 = .100" [2.54mm]

NUMBER OF POSITIONS
Contacts Per Row (See Position Chart Below)

READOUT
D = Dual

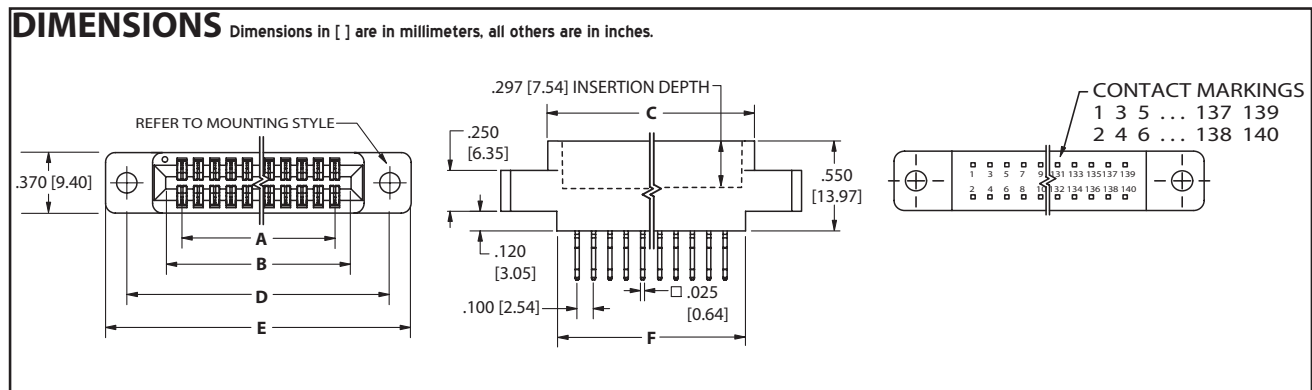
MODIFICATION CODE**
TT = No Standoffs

PLATING MODIFICATION CODE**
K = Required on MPSL or MPL Plating
Omit for MP Plating (Overall Gold)

MOUNTING STYLE (See Opposite Page)
1 = .125" Clearance Hole
2 = #4-40 Threaded Insert
4 = No Mounting
5 = Raised, .125" Clearance Hole
6 = Raised, #4-40 Threaded Insert

TERMINATION TYPE (See Opposite Page)
WE = Card Extender

** SEE PAGES 82-83 FOR SPECIFICATIONS AND OTHER VARIATIONS



POSITIONS/ CONTACTS	INCHES						[MILLIMETERS]					
	A±.008	B±.008	C±.015	D±.010	E±.020	F±.015	A±0.20	B±0.20	C±0.38	D±0.25	E±0.51	F±0.38
06/12	0.500	0.700	0.860	1.175	1.435	0.750	12.70	17.78	21.84	29.85	36.45	19.05
08/16	0.700	0.900	1.060	1.375	1.635	0.950	17.78	22.86	26.92	34.93	41.53	24.13
10/20	0.900	1.100	1.260	1.575	1.835	1.150	22.86	27.94	32.00	40.01	46.61	29.21
12/24	1.100	1.300	1.460	1.775	2.035	1.350	27.94	33.02	37.08	45.09	51.69	34.29
13/26	1.200	1.400	1.560	1.875	2.135	1.450	30.48	35.56	39.62	47.63	54.23	36.83
15/30	1.400	1.600	1.760	2.075	2.335	1.650	35.56	40.64	44.70	52.71	59.31	41.91
17/34	1.600	1.800	1.960	2.275	2.535	1.850	40.64	45.72	49.78	57.79	64.39	46.99
18/36	1.700	1.900	2.060	2.375	2.635	1.950	43.18	48.26	52.32	60.33	66.93	49.53
20/40	1.900	2.100	2.260	2.575	2.835	2.150	48.26	53.34	57.40	65.41	72.01	54.61
22/44	2.100	2.300	2.460	2.775	3.035	2.350	53.34	58.42	62.48	70.49	77.09	59.69
24/48	2.300	2.500	2.660	2.975	3.235	2.550	58.42	63.50	67.56	75.57	82.17	64.77
25/50	2.400	2.600	2.760	3.075	3.335	2.650	60.96	66.04	70.10	78.11	84.71	67.31
28/56	2.700	2.900	3.060	3.375	3.635	2.950	68.58	73.66	77.72	85.73	92.33	74.93
30/60	2.900	3.100	3.260	3.575	3.835	3.150	73.66	78.74	82.80	90.81	97.41	80.01
31/62	3.000	3.200	3.360	3.675	3.935	3.250	76.20	81.28	85.34	93.35	99.95	82.55
35/70	3.400	3.600	3.760	4.075	4.335	3.650	86.36	91.44	95.50	103.51	110.11	92.71
36/72	3.500	3.700	3.860	4.175	4.435	3.750	88.90	93.98	98.04	106.05	112.65	95.25
40/80	3.900	4.100	4.260	4.575	4.835	4.150	99.06	104.14	108.20	116.21	122.81	105.41
43/86	4.200	4.400	4.560	4.875	5.135	4.450	106.68	111.76	115.82	123.83	130.43	113.03
44/88	4.300	4.500	4.660	4.975	5.235	4.550	109.22	114.30	118.36	126.37	132.97	115.57
50/100	4.900	5.100	5.260	5.575	5.835	5.150	124.46	129.54	133.60	141.61	148.21	130.81
55/110	5.400	5.600	5.760	6.075	6.335	5.650	137.16	142.24	146.30	154.31	160.91	143.51
60/120	5.900	6.100	6.260	6.575	6.835	6.150	149.86	154.94	159.00	167.01	173.61	156.21
61/122	6.000	6.200	6.360	6.675	6.935	6.250	152.40	157.48	161.54	169.55	176.15	158.75
65/130	6.400	6.600	6.760	7.075	7.335	6.650	162.56	167.64	171.70	179.71	186.31	168.91
70/140	6.900	7.100	7.260	7.575	7.835	7.150	175.26	180.34	184.40	192.41	199.01	181.61

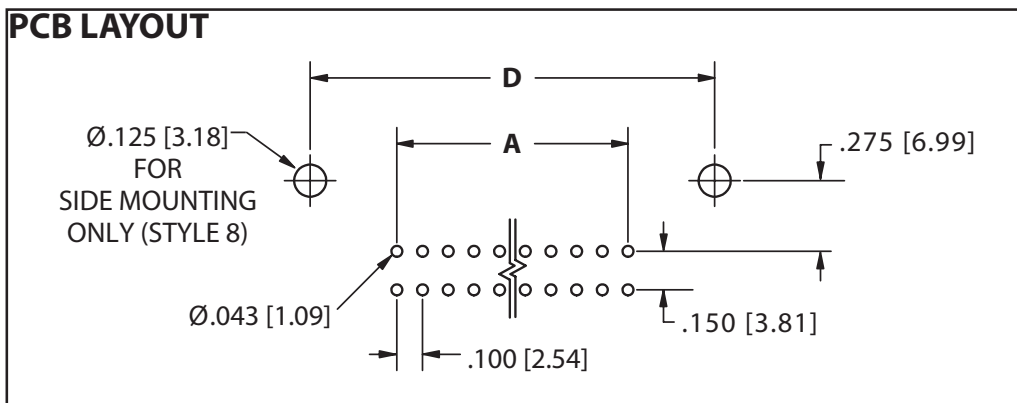
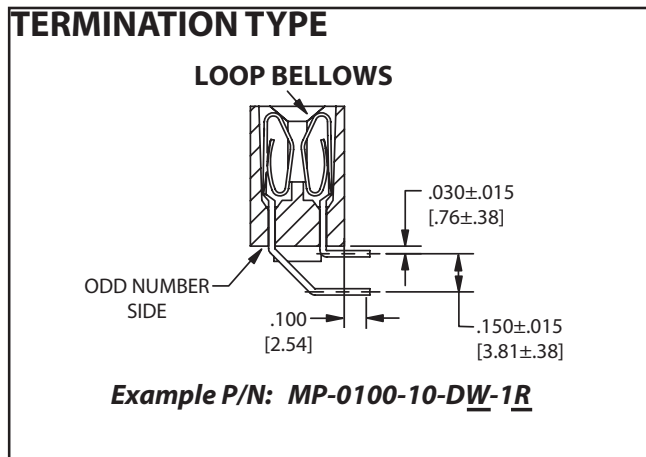
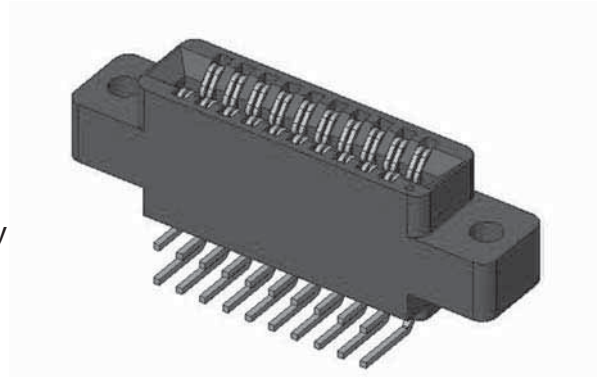
Micro Plastics Edgecards



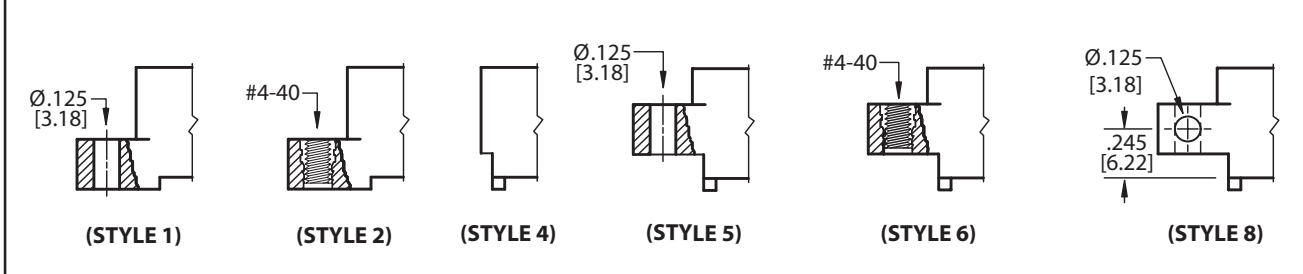
**.100" Contact Centers, .610" Insulator Height,
Right Angle**

SPECIFICATIONS

- Accommodates $.062" \pm .008"$ [1.57 ± 0.20] PC Board
- Insulator Material available in PBT, PPS or PA9T
- 3 Amp Current Rating per contact
- Insulator / Contact Specifications and Part Number Coding See Page 82-83
- P/N 04-0004-000 for In Between Contact Position Key See Page 126 (Sold Separately)
- Molded-in Key Available - Consult Factory



MOUNTING STYLE



Micro Plastics Edgards



PART NUMBER CODING

MPSL - 0 100 - 10 - D W - 1 K R

PLATING - RoHS Compliant
All Platings are Lead Free and have .000050" Nickel Underplate

Contact Surface	Termination
*MPSL = .000010" Gold	.000100" Pure Tin, Matte
*MPL = .000100" Overall Pure Tin, Matte	
MP = .000010" Overall Gold	

*Requires 'K' Modification Code

INSULATOR MATERIAL**
0 = PBT

CONTACT CENTERS
100 = .100" [2.54mm]

NUMBER OF POSITIONS
Contacts Per Row (See Position Chart Below)

READOUT
D = Dual

MODIFICATION CODE**
R = Right Angle

PLATING MODIFICATION CODE**
K = Required on MPSL or MPL Plating
Omit for MP Plating (Overall Gold)

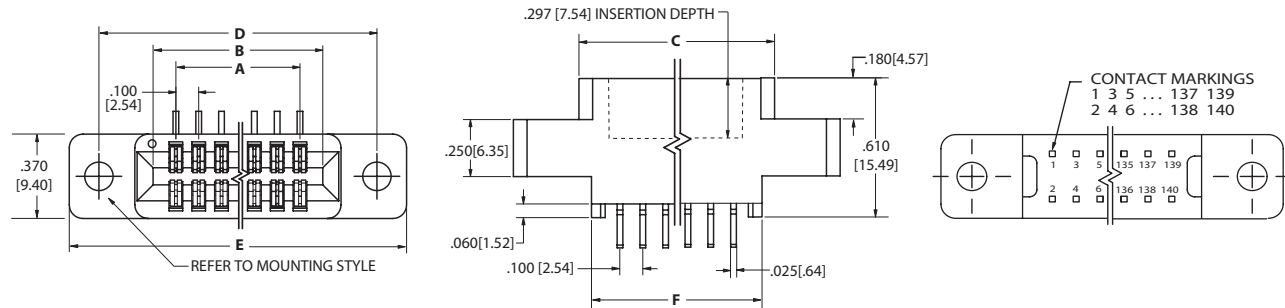
MOUNTING STYLE (See Opposite Page)
1 = .125" Clearance Hole
2 = #4-40 Threaded Insert
4 = No Mounting
5 = Raised, .125" Clearance Hole
6 = Raised, #4-40 Threaded Insert
8 = Raised, Side Mounting, .125" Clearance Hole

TERMINATION TYPE (See Opposite Page)
LOOP BELLOWS
W = .025 [.64] Square

** SEE PAGES 82-83 FOR SPECIFICATIONS AND OTHER VARIATIONS

DIMENSIONS

Dimensions in [] are in millimeters, all others are in inches.



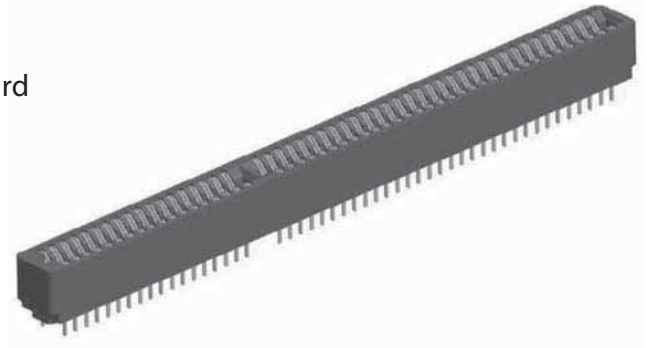
POSITIONS/ CONTACTS	INCHES						[MILLIMETERS]					
	A±.008	B±.008	C±.015	D±.010	E±.020	F±.015	A±0.20	B±0.20	C±0.38	D±0.25	E±0.51	F±0.38
06/12	0.500	0.700	0.860	1.175	1.435	0.750	12.70	17.78	21.84	29.85	36.45	19.05
08/16	0.700	0.900	1.060	1.375	1.635	0.950	17.78	22.86	26.92	34.93	41.53	24.13
10/20	0.900	1.100	1.260	1.575	1.835	1.150	22.86	27.94	32.00	40.01	46.61	29.21
12/24	1.100	1.300	1.460	1.775	2.035	1.350	27.94	33.02	37.08	45.09	51.69	34.29
13/26	1.200	1.400	1.560	1.875	2.135	1.450	30.48	35.56	39.62	47.63	54.23	36.83
15/30	1.400	1.600	1.760	2.075	2.335	1.650	35.56	40.64	44.70	52.71	59.31	41.91
17/34	1.600	1.800	1.960	2.275	2.535	1.850	40.64	45.72	49.78	57.79	64.39	46.99
18/36	1.700	1.900	2.060	2.375	2.635	1.950	43.18	48.26	52.32	60.33	66.93	49.53
20/40	1.900	2.100	2.260	2.575	2.835	2.150	48.26	53.34	57.40	65.41	72.01	54.61
22/44	2.100	2.300	2.460	2.775	3.035	2.350	53.34	58.42	62.48	70.49	77.09	59.69
24/48	2.300	2.500	2.660	2.975	3.235	2.550	58.42	63.50	67.56	75.57	82.17	64.77
25/50	2.400	2.600	2.760	3.075	3.335	2.650	60.96	66.04	70.10	78.11	84.71	67.31
28/56	2.700	2.900	3.060	3.375	3.635	2.950	68.58	73.66	77.72	85.73	92.33	74.93
30/60	2.900	3.100	3.260	3.575	3.835	3.150	73.66	78.74	82.80	90.81	97.41	80.01
31/62	3.000	3.200	3.360	3.675	3.935	3.250	76.20	81.28	85.34	93.35	99.95	82.55
35/70	3.400	3.600	3.760	4.075	4.335	3.650	86.36	91.44	95.50	103.51	110.11	92.71
36/72	3.500	3.700	3.860	4.175	4.435	3.750	88.90	93.98	98.04	106.05	112.65	95.25
40/80	3.900	4.100	4.260	4.575	4.835	4.150	99.06	104.14	108.20	116.21	122.81	105.41
43/86	4.200	4.400	4.560	4.875	5.135	4.450	106.68	111.76	115.82	123.83	130.43	113.03
44/88	4.300	4.500	4.660	4.975	5.235	4.550	109.22	114.30	118.36	126.37	132.97	115.57
50/100	4.900	5.100	5.260	5.575	5.835	5.150	124.46	129.54	133.60	141.61	148.21	130.81
55/110	5.400	5.600	5.760	6.075	6.335	5.650	137.16	142.24	146.30	154.31	160.91	143.51
60/120	5.900	6.100	6.260	6.575	6.835	6.150	149.86	154.94	159.00	167.01	173.61	156.21
61/122	6.000	6.200	6.360	6.675	6.935	6.250	152.40	157.48	161.54	169.55	176.15	158.75
65/130	6.400	6.600	6.760	7.075	7.335	6.650	162.56	167.64	171.70	179.71	186.31	168.91
70/140	6.900	7.100	7.260	7.575	7.835	7.150	175.26	180.34	184.40	192.41	199.01	181.61



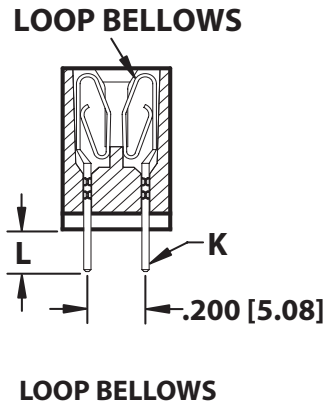
**.100" Contact Centers, .610" Insulator Height,
Special 18/31 with Barrier, Dip Solder/Wire Wrap, [ISA]**

SPECIFICATIONS

- ISA Connector
- Accommodates .062" ± .008" [1.57 ± 0.20] PC Board
- Insulator Material available in PBT, PPS or PA9T
- 3 Amp Current Rating per contact
- Insulator / Contact Specifications and Part Number Coding See Page 82-83
- P/N 04-0004-000 for In Between Contact Position Key See Page 126 (Sold Separately)
- Molded-in Key Available - Consult Factory

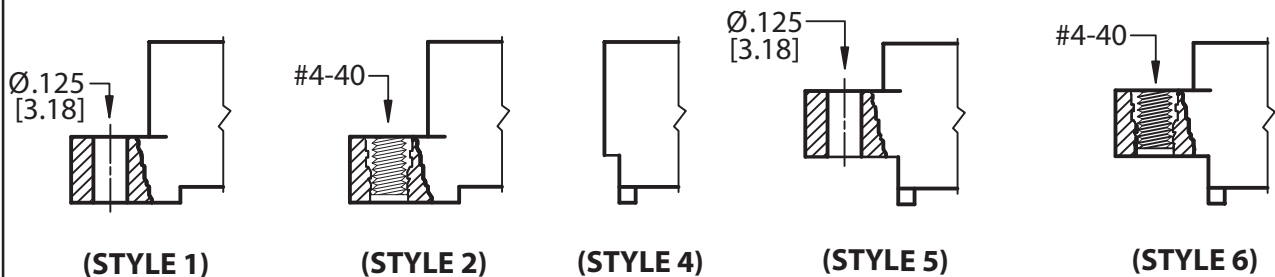


TERMINATION TYPE



TERMINATION CODE	MODIFICATION CODE	TYPE	POST CROSS SECTION K	POST LENGTH L	FITS MIN. HOLE SIZE	EXAMPLE PART NUMBER
R	H	Dip Solder	.026 [0.66] Round	.190 [4.83]	.030 [0.76]	<i>MPSL-0100-18/31-DR-1HK</i>
R	H(.165)	Dip Solder	.026 [0.66] Round	.165 [4.19]	.030 [0.76]	<i>MPSL-0100-18/31-DR-1HK(.165)</i>
W	H	Dip Solder	.025 [0.64] Square	.190 [4.83]	.040 [1.02]	<i>MPSL-0100-18/31-DW-1HK</i>
W	OMIT	Wire Wrap	.025 [0.64] Square	.560 [14.20]	.040 [1.02]	<i>MPSL-0100-18/31-DW-1K</i>

MOUNTING STYLE



Micro Plastics Edgards



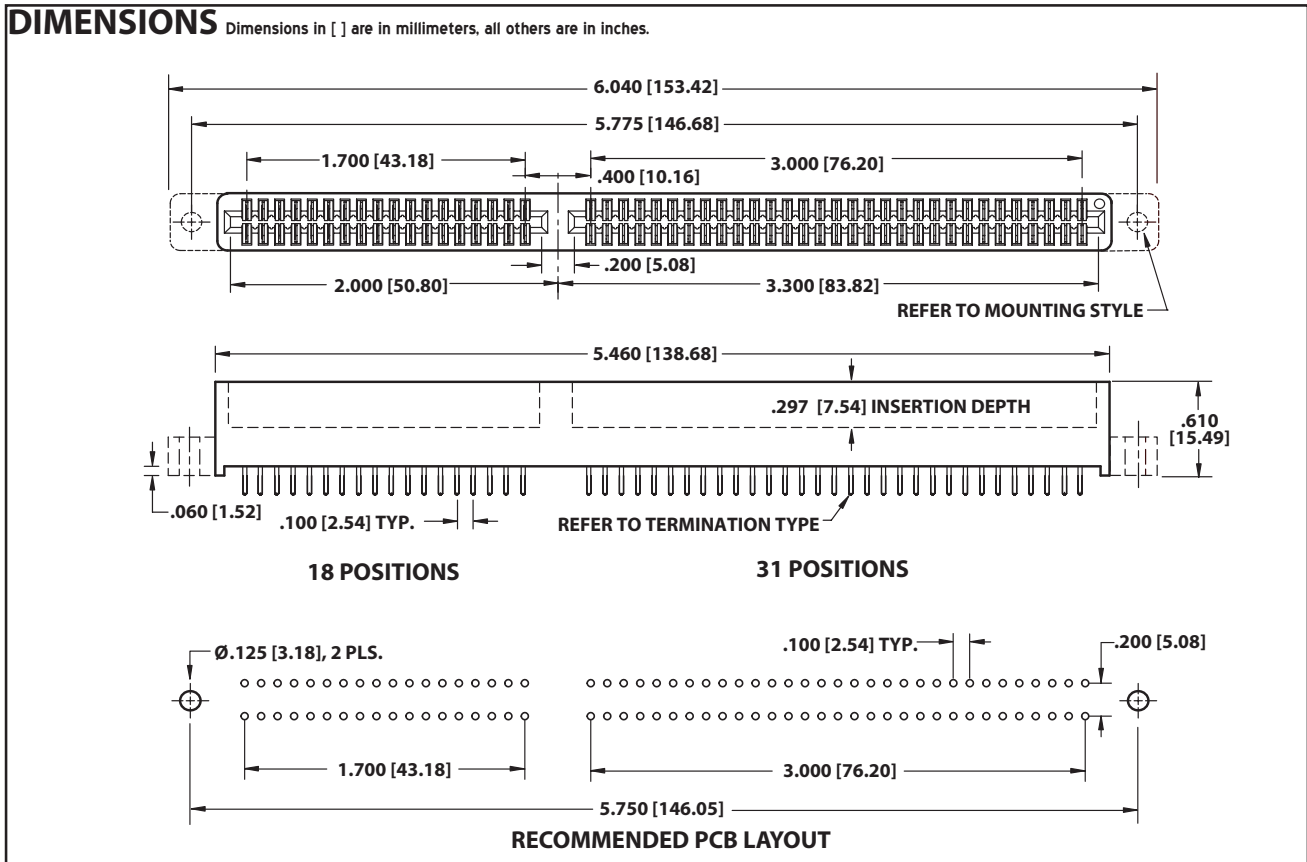
**.100" Contact Centers, .610" Insulator Height,
Special 18/31 with Barrier, Dip Solder/Wire Wrap, [ISA]**

PART NUMBER CODING

MPSL - 0 100 - 18/31 - D W - 1 H K

<p>PLATING - RoHS Compliant All Platings are Lead Free and have .000050" Nickel Underplate</p> <p style="text-align: center;">Contact Surface Termination</p> <p>*MPSL = .000010" Gold .000100" Pure Tin, Matte *MPL = .000100" Overall Pure Tin, Matte MP = .000010" Overall Gold</p> <p>*Requires 'K' Modification Code</p> <p>INSULATOR MATERIAL** 0 = PBT</p> <p>CONTACT CENTERS 100 = .100" [2.54mm]</p> <p>NUMBER OF POSITIONS 18/31 Per Row</p> <p>READOUT D = Dual</p>	<p>PLATING MODIFICATION CODE** K = Required on MPSL or MPL Plating Omit for MP Plating (Overall Gold)</p> <p>MODIFICATION CODE** (See Opposite Page) H = Dip Solder .190[4.83] Tail Length (.026 Round or .025 Square) H(.165) = Dip Solder .165[4.19] Tail Length (.026 Round Only)</p> <p>MOUNTING STYLE (See Opposite Page) 1 = .125" Clearance Hole 2 = #4-40 Threaded Insert 4 = No Mounting 5 = Raised, .125" Clearance Hole 6 = Raised, #4-40 Threaded Insert</p> <p>TERMINATION TYPE (See Opposite Page) LOOP BELLOWS R = .026[.66mm] Round W = .025[.64mm] Square</p>
---	---

**** SEE PAGES 82-83 FOR SPECIFICATIONS AND OTHER VARIATIONS
CONSULT FACTORY FOR RIGHT ANGLE VERSION**



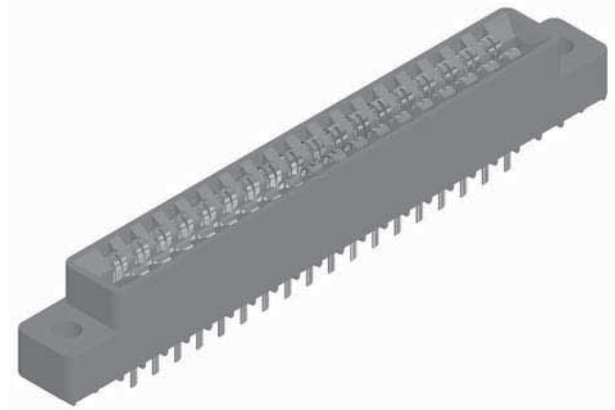
Micro Plastics Edgecards



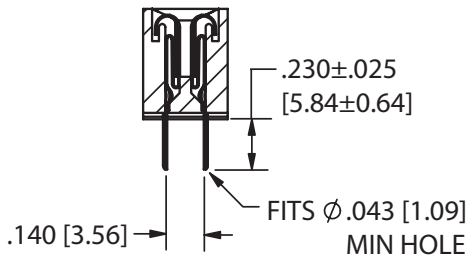
**.125" Contact Centers, .431" Insulator Height,
Dip Solder**

SPECIFICATIONS

- Accommodates $.062" \pm .008"$ [1.57 ± 0.20] PC Board
- Insulator Material available in PBT, PPS or PA9T
- 3 Amp Current Rating per contact
- Insulator / Contact Specifications and Part Number Coding See Page 82-83
- Row Spacing Available in $.140"$ or $.200"$ (Use Modification Code 'X9' for $.200"$)
- P/N 04-0003-000 for In Between Contact Position Key See Page 126 (Sold Separately)
- Molded-in Key Available - Consult Factory

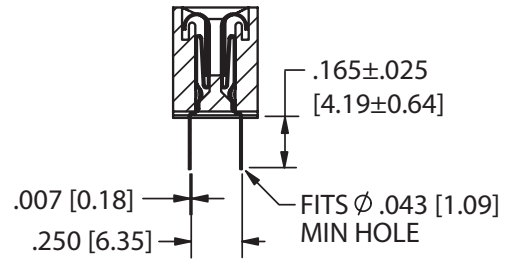


TERMINATION TYPE



**DIP SOLDER (S)
.140" ROW SPACING**

Example P/N: MPSL-0125-10-DS-1K

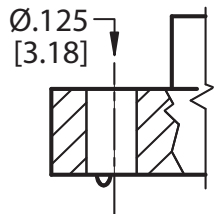


**DIP SOLDER (S)
.250" ROW SPACING
REQUIRES 'X9' MODIFICATION CODE**

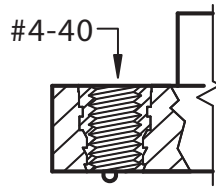
Example P/N: MPSL-0125-10-DS-1X9K

Micro Plastics Edgards

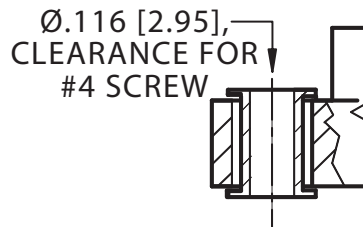
MOUNTING STYLE



(STYLE 1)



(STYLE 2)



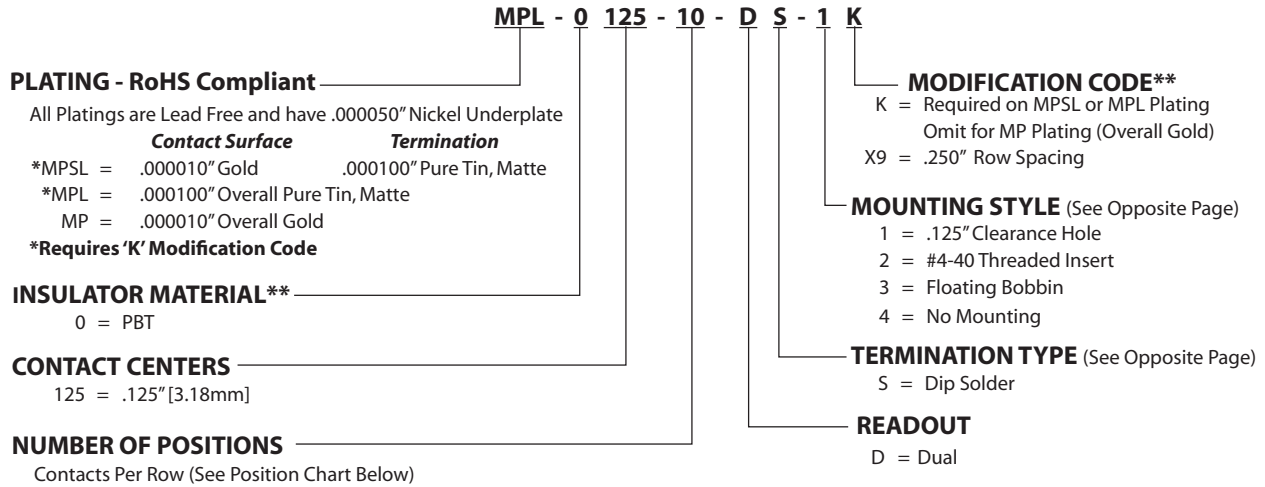
(STYLE 3)



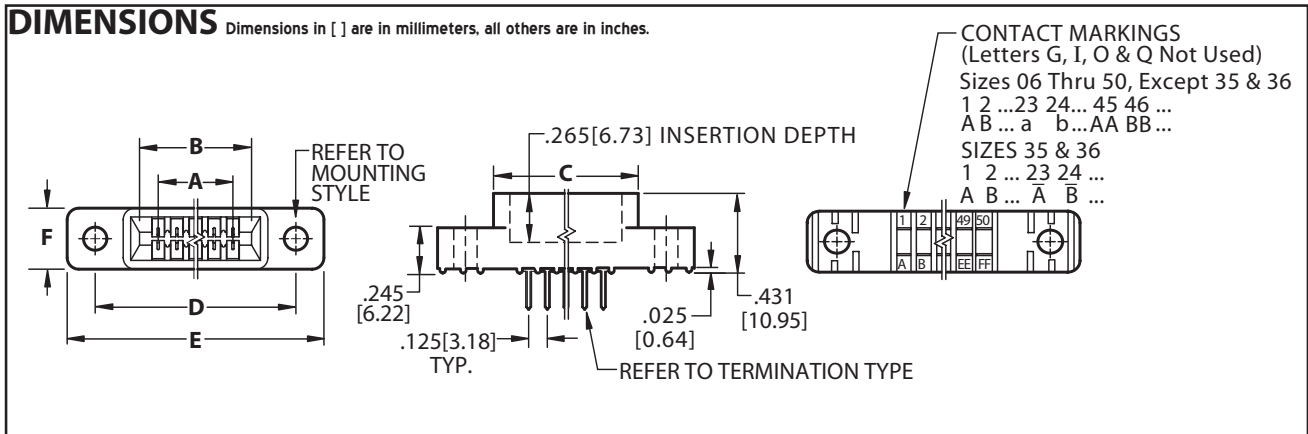
(STYLE 4)



PART NUMBER CODING



**** SEE PAGES 82-83 FOR SPECIFICATIONS AND OTHER VARIATIONS**



POSITIONS/ CONTACTS	INCHES					F±.005	MILLIMETERS					F±0.13
	A±.008	B±.008	C±.015	D±.010	E±.020		A±0.20	B±0.20	C±0.38	D±0.25	E±0.51	
06/12	0.625	0.875	1.035	1.295	1.575	0.330	15.88	22.23	26.29	32.89	40.01	8.38
10/20	1.125	1.375	1.535	1.795	2.075		28.58	34.93	38.99	45.59	52.71	
14/28	1.625	1.875	2.035	2.295	2.575		41.28	47.63	51.69	58.29	65.41	
15/30	1.750	2.000	2.160	2.420	2.700		44.45	50.80	54.86	61.47	68.58	
18/36	2.125	2.375	2.535	2.795	3.075		53.98	60.33	64.39	70.99	78.11	
22/44	2.625	2.875	3.035	3.295	3.575		66.68	73.03	77.09	83.69	90.81	
28/56	3.375	3.625	3.785	4.045	4.325		85.73	92.08	96.14	102.74	109.86	
30/60	3.625	3.875	4.035	4.295	4.575		92.08	98.43	102.49	109.09	116.21	
31/62	3.750	4.000	4.160	4.420	4.700		95.25	101.60	105.66	112.27	119.38	
35/70	4.250	4.500	4.660	4.920	5.200		107.95	114.30	118.36	124.97	132.08	
36/72	4.375	4.625	4.785	5.045	5.325		111.13	117.48	121.54	128.14	135.26	
37/74	4.500	4.750	4.910	5.170	5.450		114.30	120.65	124.71	131.32	138.43	
40/80	4.875	5.125	5.285	5.545	5.825		123.83	130.18	134.24	140.84	147.96	
43/86	5.250	5.500	5.660	5.920	6.200		133.35	139.70	143.76	150.37	157.48	
44/88	5.375	5.625	5.785	6.045	6.325	136.53	142.88	146.94	153.54	160.66		
49/98	6.000	6.250	6.410	6.670	6.950	152.40	158.75	162.81	169.42	176.53		
50/100	6.125	6.375	6.535	6.795	7.075	155.58	161.93	165.99	172.59	179.71		

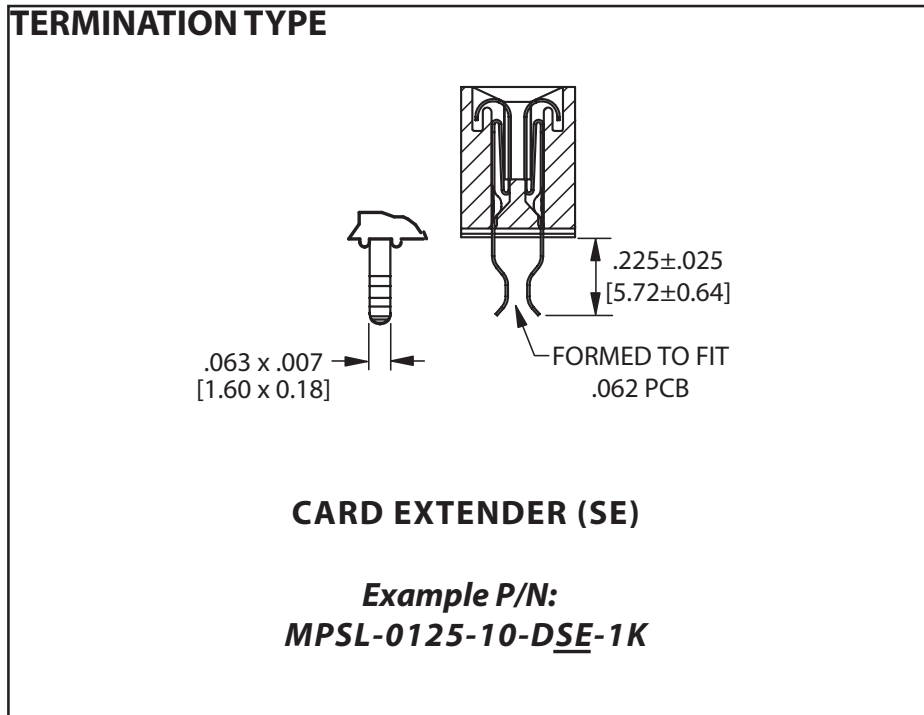
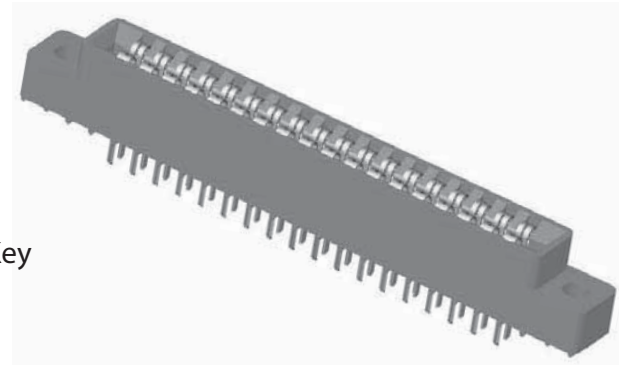
Micro Plastics Edgecards



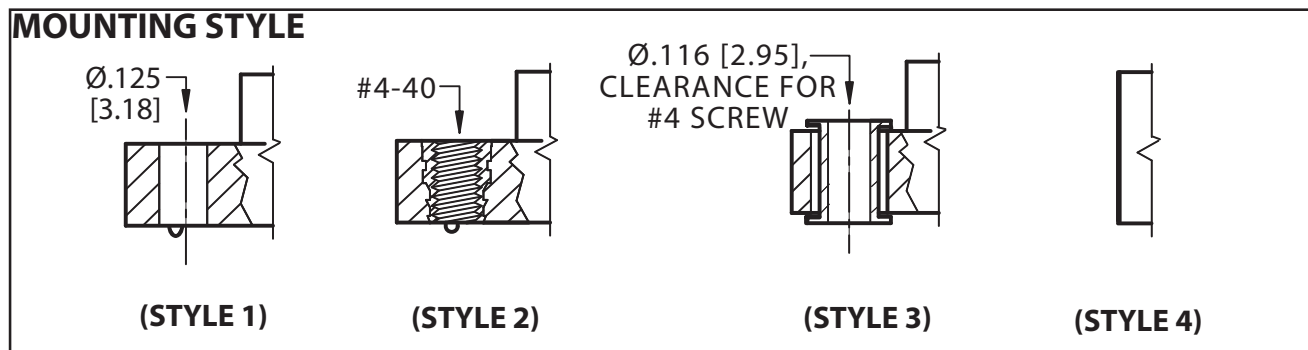
**.125" Contact Centers, .431" Insulator Height,
Card Extender**

SPECIFICATIONS

- Accommodates $.062" \pm .008"$ [1.57 ± 0.20] PC Board
- Insulator Material available in PBT, PPS or PA9T
- 3 Amp Current Rating per contact
- Insulator / Contact Specifications and Part Number Coding See Page 82-83
- P/N 04-0003-000 for In Between Contact Position Key See Page 126 (Sold Separately)
- Molded-in Key Available - Consult Factory

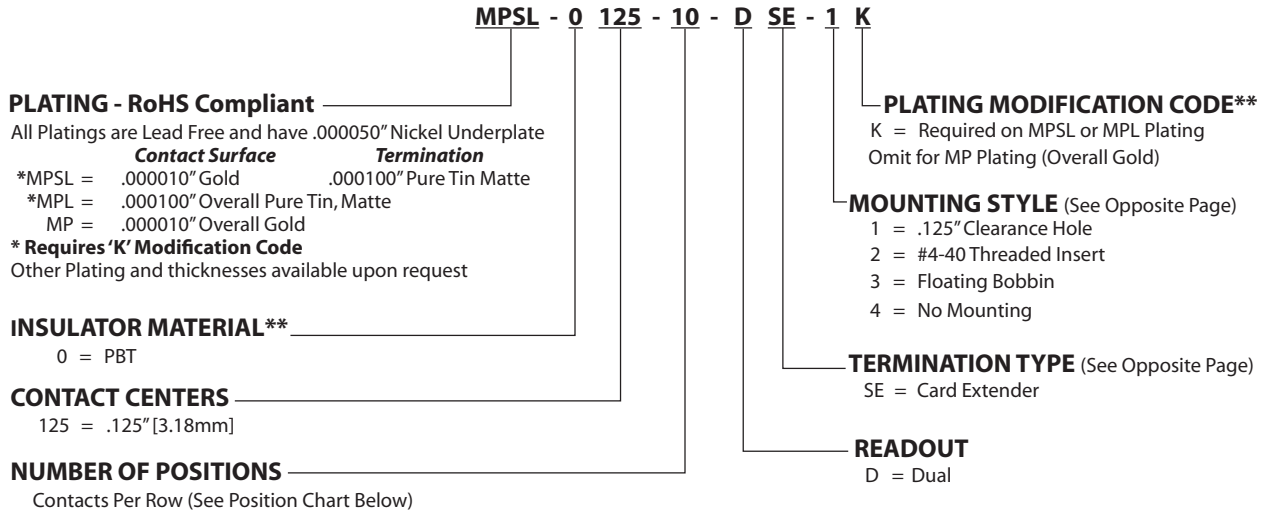


Micro Plastics Edgards





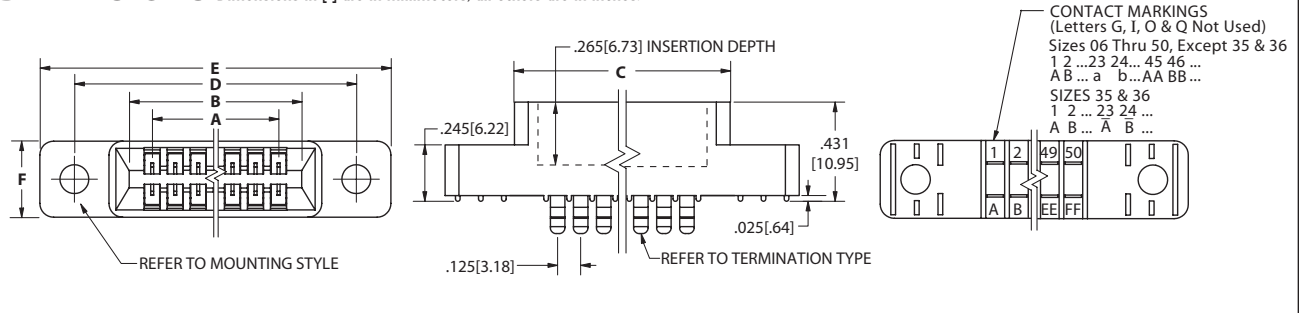
PART NUMBER CODING



**** SEE PAGES 82-83 FOR SPECIFICATIONS AND OTHER VARIATIONS**

DIMENSIONS

Dimensions in [] are in millimeters, all others are in inches.



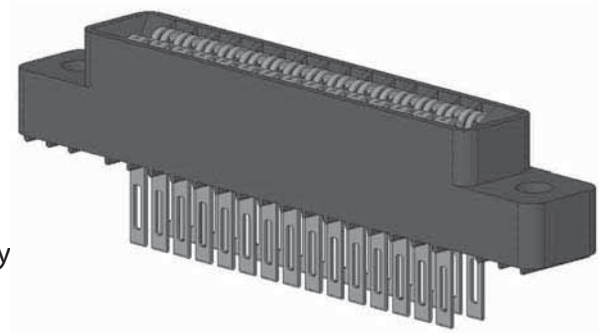
POSITIONS/ CONTACTS	INCHES						MILLIMETERS					
	A±.008	B±.008	C±.015	D±.010	E±.020	F±.005	A±0.20	B±0.20	C±0.38	D±0.25	E±0.51	F±0.13
06/12	0.625	0.875	1.035	1.295	1.575	0.330	15.88	22.23	26.29	32.89	40.01	8.38
10/20	1.125	1.375	1.535	1.795	2.075		28.58	34.93	38.99	45.59	52.71	
14/28	1.625	1.875	2.035	2.295	2.575		41.28	47.63	51.69	58.29	65.41	
15/30	1.750	2.000	2.160	2.420	2.700		44.45	50.80	54.86	61.47	68.58	
18/36	2.125	2.375	2.535	2.795	3.075		53.98	60.33	64.39	70.99	78.11	
22/44	2.625	2.875	3.035	3.295	3.575		66.68	73.03	77.09	83.69	90.81	
28/56	3.375	3.625	3.785	4.045	4.325		85.73	92.08	96.14	102.74	109.86	
30/60	3.625	3.875	4.035	4.295	4.575		92.08	98.43	102.49	109.09	116.21	
31/62	3.750	4.000	4.160	4.420	4.700		95.25	101.60	105.66	112.27	119.38	
35/70	4.250	4.500	4.660	4.920	5.200		107.95	114.30	118.36	124.97	132.08	
36/72	4.375	4.625	4.785	5.045	5.325		111.13	117.48	121.54	128.14	135.26	
37/74	4.500	4.750	4.910	5.170	5.450		114.30	120.65	124.71	131.32	138.43	
40/80	4.875	5.125	5.285	5.545	5.825		123.83	130.18	134.24	140.84	147.96	
43/86	5.250	5.500	5.660	5.920	6.200		133.35	139.70	143.76	150.37	157.48	
44/88	5.375	5.625	5.785	6.045	6.325	136.53	142.88	146.94	153.54	160.66		
49/98	6.000	6.250	6.410	6.670	6.950	152.40	158.75	162.81	169.42	176.53		
50/100	6.125	6.375	6.535	6.795	7.075	155.58	161.93	165.99	172.59	179.71		



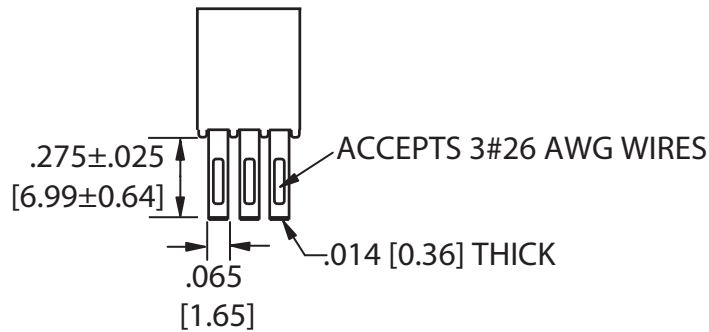
**.125" Contact Centers, .431" Insulator Height,
Eyelet**

SPECIFICATIONS

- Accommodates $.062" \pm .008"$ [1.57 ± 0.20] PC Board
- Insulator Material available in PBT, PPS or PA9T
- 3 Amp Current Rating per contact
- Insulator / Contact Specifications and Part Number Coding See Page 82-83
- P/N 04-0004-000 for In Between Contact Position Key See Page 126 (Sold Separately)
- Molded-in Key Available - Consult Factory



TERMINATION TYPE

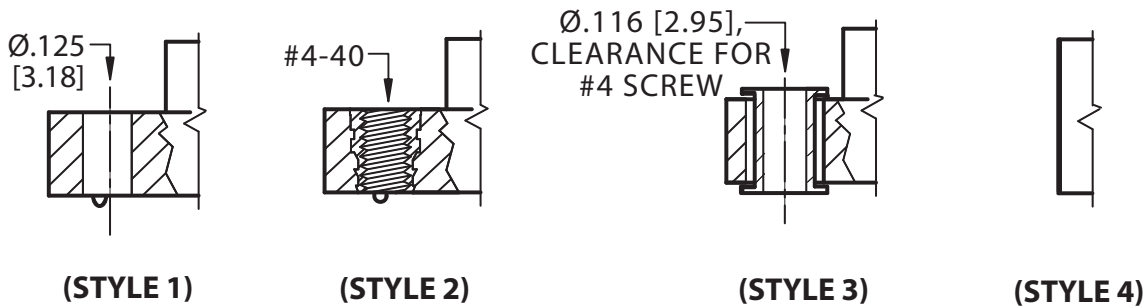


EYELET (P)

**Example P/N:
MP-0125-10-DP-1**

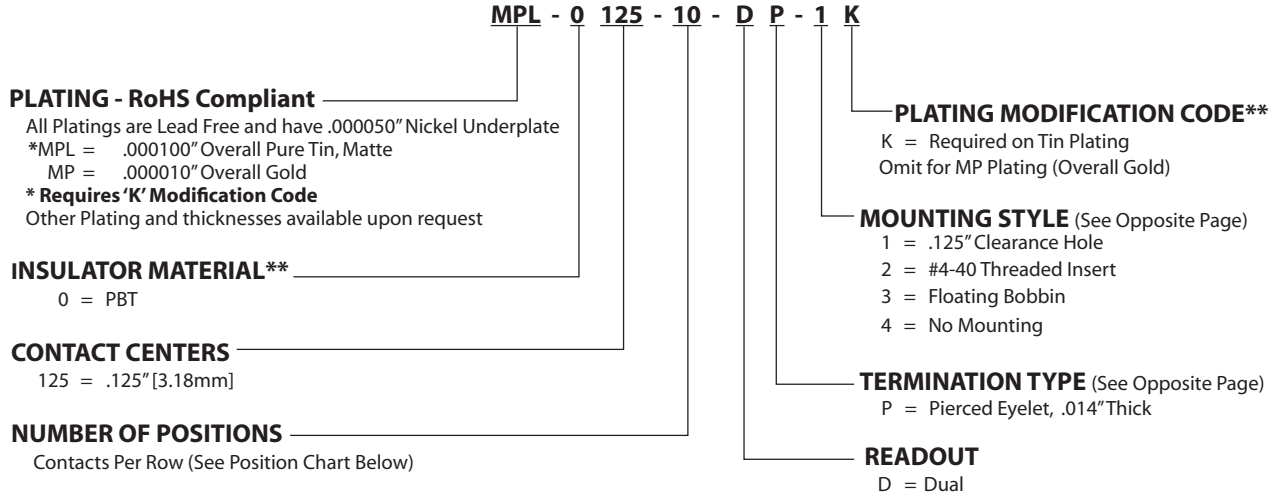
Micro Plastics Edgards

MOUNTING STYLE





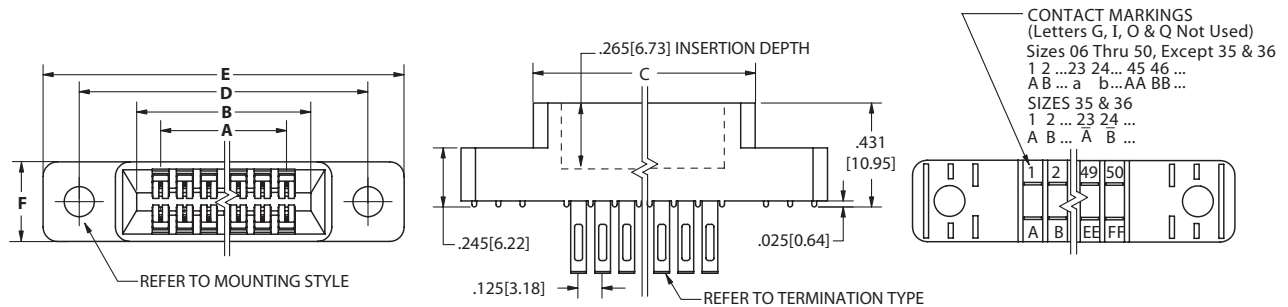
PART NUMBER CODING



**** SEE PAGES 82-83 FOR SPECIFICATIONS AND OTHER VARIATIONS**

DIMENSIONS

Dimensions in [] are in millimeters, all others are in inches.



POSITIONS/ CONTACTS	INCHES						MILLIMETERS						
	A±.008	B±.008	C±.015	D±.010	E±.020	F±.005	A±0.20	B±0.20	C±0.38	D±0.25	E±0.51	F±0.13	
06/12	0.625	0.875	1.035	1.295	1.575	0.330	15.88	22.23	26.29	32.89	40.01	8.38	
10/20	1.125	1.375	1.535	1.795	2.075		28.58	34.93	38.99	45.59	52.71		
14/28	1.625	1.875	2.035	2.295	2.575		41.28	47.63	51.69	58.29	65.41		
15/30	1.750	2.000	2.160	2.420	2.700		44.45	50.80	54.86	61.47	68.58		
18/36	2.125	2.375	2.535	2.795	3.075		53.98	60.33	64.39	70.99	78.11		
22/44	2.625	2.875	3.035	3.295	3.575		66.68	73.03	77.09	83.69	90.81		
28/56	3.375	3.625	3.785	4.045	4.325		85.73	92.08	96.14	102.74	109.86		
30/60	3.625	3.875	4.035	4.295	4.575		92.08	98.43	102.49	109.09	116.21		
31/62	3.750	4.000	4.160	4.420	4.700		95.25	101.60	105.66	112.27	119.38		
35/70	4.250	4.500	4.660	4.920	5.200		107.95	114.30	118.36	124.97	132.08		
36/72	4.375	4.625	4.785	5.045	5.325		111.13	117.48	121.54	128.14	135.26		
37/74	4.500	4.750	4.910	5.170	5.450		114.30	120.65	124.71	131.32	138.43		
40/80	4.875	5.125	5.285	5.545	5.825		123.83	130.18	134.24	140.84	147.96		9.40
43/86	5.250	5.500	5.660	5.920	6.200		133.35	139.70	143.76	150.37	157.48		
44/88	5.375	5.625	5.785	6.045	6.325	136.53	142.88	146.94	153.54	160.66			
49/98	6.000	6.250	6.410	6.670	6.950	152.40	158.75	162.81	169.42	176.53			
50/100	6.125	6.375	6.535	6.795	7.075	155.58	161.93	165.99	172.59	179.71			

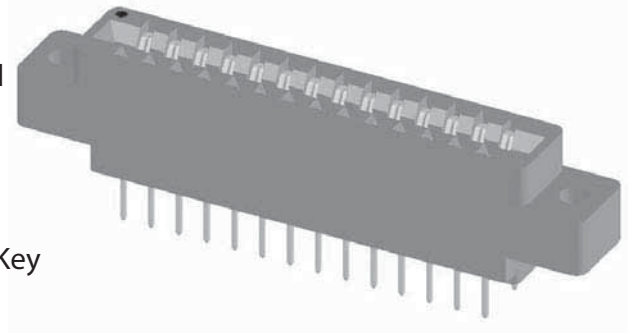
Micro Plastics Edgecards



**.125" Contact Centers, .610" Insulator Height,
Wire Wrap & Dip Solder**

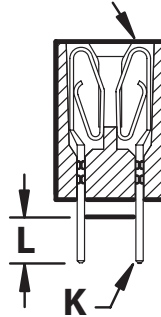
SPECIFICATIONS

- Accommodates $.062" \pm .008"$ [1.57 ± 0.20] PC Board
- Insulator Material available in PBT, PPS or PA9T
- 3 Amp Current Rating per contact
- Insulator / Contact Specifications and Part Number Coding See Page 82-83
- P/N 04-0004-000 for In Between Contact Position Key See Page 126 (Sold Separately)
- Molded-in Key Available - Consult Factory



TERMINATION TYPE

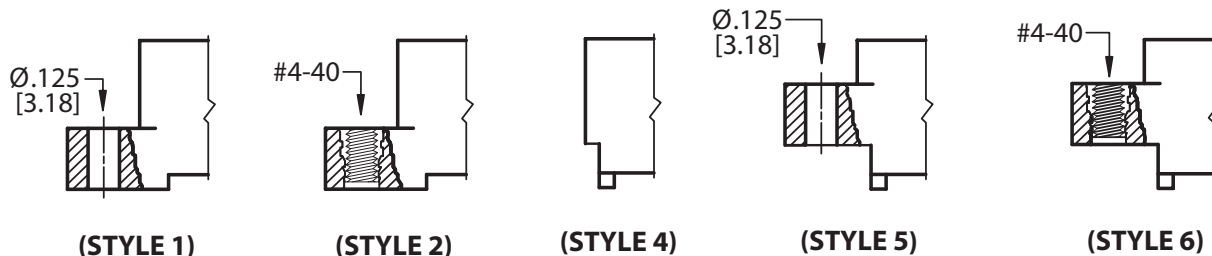
LOOP BELLOWS



LOOP BELLOWS

TERMINATION CODE	MODIFICATION CODE	TYPE	POST CROSS SECTION K	POST LENGTH L	FITS MIN. HOLE SIZE	EXAMPLE PART NUMBER
R	H	Dip Solder	.026 [0.66] Round	.190 [4.83]	.030 [0.76]	<i>MPSL-0125-10-DR-1HK</i>
R	H(.165)	Dip Solder	.026 [0.66] Round	.165 [4.19]	.030 [0.76]	<i>MPSL-0125-10-DR-1HK(.165)</i>
W	H	Dip Solder	.025 [0.64] Square	.190 [4.83]	.040 [1.02]	<i>MPSL-0125-10-DW-1HK</i>
W	OMIT	Wire Wrap	.025 [0.64] Square	.560 [14.20]	.040 [1.02]	<i>MPSL-0125-10-DW-1K</i>

MOUNTING STYLE





PART NUMBER CODING

MPSL - 0 125 - 10 - D W - 1 H K

PLATING - RoHS Compliant
All Platings are Lead Free and have .000050" Nickel Underplate

Contact Surface Termination
*MPSL = .000010" Gold .000100" Pure Tin, Matte
*MPL = .000100" Overall Pure Tin, Matte
MP = .000010" Overall Gold
***Requires 'K' Modification Code**

INSULATOR MATERIAL**
0 = PBT

CONTACT CENTERS
125 = .125" [3.18mm]

NUMBER OF POSITIONS
Contacts Per Row (See Position Chart Below)

READOUT
D = Dual

PLATING MODIFICATION CODE**
K = Required on MPSL or MPL Plating
Omit for MP Plating (Overall Gold)

MODIFICATION CODE**
(See Opposite Page)
H = Dip Solder .190[4.83] Tail Length
(.026 Round or .025 Square)
H(.165) = Dip Solder .165[4.19] Tail Length
(.026 Round Only)

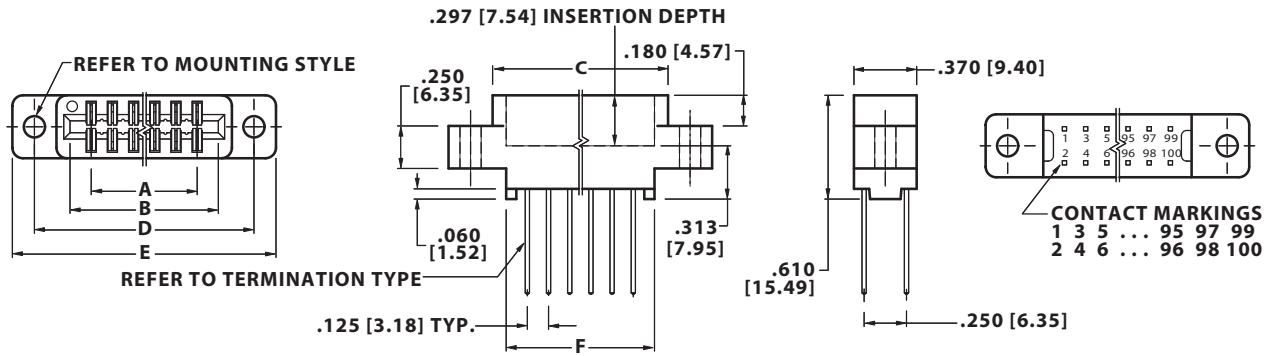
MOUNTING STYLE (See Opposite Page)
1 = .125" Clearance Hole
2 = #4-40 Threaded Insert
4 = No Mounting
5 = Raised, .125" Clearance Hole
6 = Raised, #4-40 Threaded Insert

TERMINATION TYPE (See Opposite Page)
LOOP BELLOWS
R = .026[.66mm] Round
W = .025[.64mm] Square

**** SEE PAGES 82-83 FOR SPECIFICATIONS AND OTHER VARIATIONS**

DIMENSIONS

Dimensions in [] are in millimeters, all others are in inches.



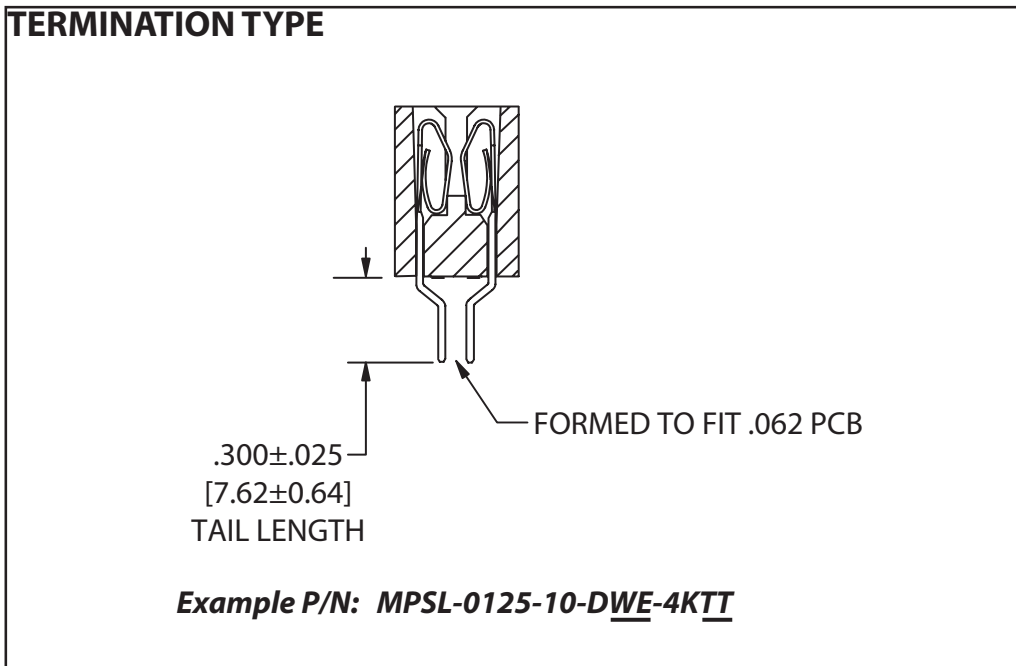
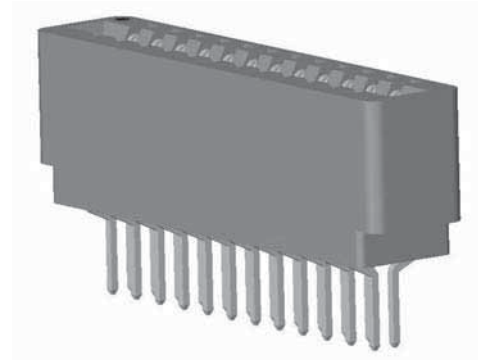
POSITIONS/ CONTACTS	INCHES						MILLIMETERS					
	A±.008	B±.008	C±.015	D±.010	E±.020	F±.015	A±0.20	B±0.20	C±0.38	D±0.25	E±0.51	F±0.38
06/12	0.625	0.875	1.035	1.295	1.555	0.875	15.88	22.23	26.29	32.89	39.50	22.23
10/20	1.125	1.375	1.535	1.795	2.055	1.375	28.58	34.93	38.99	45.59	52.20	34.93
14/28	1.625	1.875	2.035	2.295	2.555	1.875	41.28	47.63	51.69	58.29	64.90	47.63
15/30	1.750	2.000	2.160	2.420	2.680	2.000	44.45	50.80	54.86	61.47	68.07	50.80
18/36	2.125	2.375	2.535	2.795	3.055	2.375	53.98	60.33	64.39	70.99	77.60	60.33
22/44	2.625	2.875	3.035	3.295	3.555	2.875	66.68	73.03	77.09	83.69	90.30	73.03
24/48	2.875	3.125	3.285	3.545	3.805	3.125	73.03	79.38	83.44	90.04	96.65	79.38
28/56	3.375	3.625	3.785	4.045	4.305	3.625	85.73	92.08	96.14	102.74	109.35	92.08
30/60	3.625	3.875	4.035	4.295	4.555	3.875	92.08	98.43	102.49	109.09	115.70	98.43
31/62	3.750	4.000	4.160	4.420	4.680	4.000	95.25	101.60	105.66	112.27	118.87	101.60
32/64	3.875	4.125	4.285	4.545	4.805	4.125	98.43	104.78	108.84	115.44	122.05	104.78
35/70	4.250	4.500	4.660	4.920	5.180	4.500	107.95	114.30	118.36	124.97	131.57	114.30
36/72	4.375	4.625	4.785	5.045	5.305	4.625	111.13	117.48	121.54	128.14	134.75	117.48
40/80	4.875	5.125	5.285	5.545	5.805	5.125	123.83	130.18	134.24	140.84	147.45	130.18
43/86	5.250	5.500	5.660	5.920	6.180	5.500	133.35	139.70	143.76	150.37	156.97	139.70
44/88	5.375	5.625	5.785	6.045	6.305	5.625	136.53	142.88	146.94	153.54	160.15	142.88
49/98	6.000	6.250	6.410	6.670	6.930	6.250	152.40	158.75	162.81	169.42	176.02	158.75
50/100	6.125	6.375	6.535	6.795	7.055	6.375	155.58	161.93	165.99	172.59	179.20	161.93



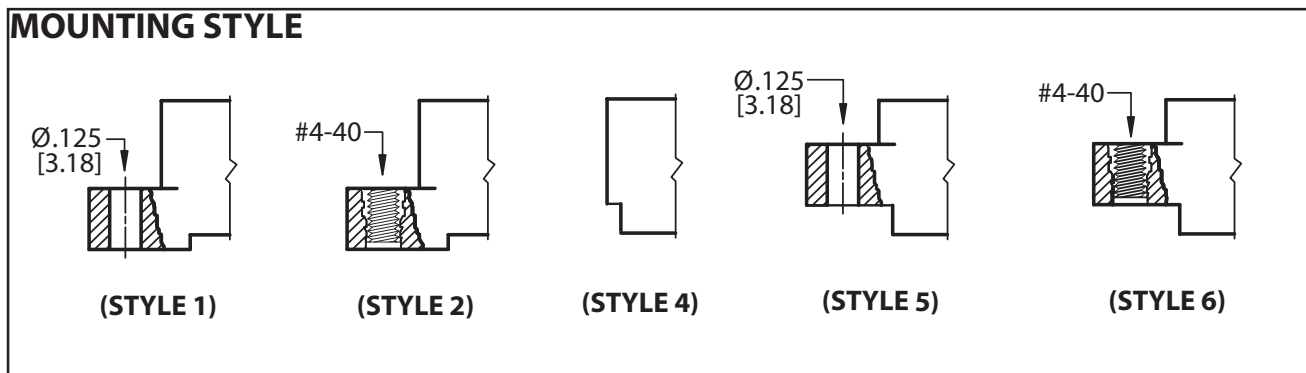
**.125" Contact Centers, .550" Insulator Height,
.025" Square Card Extender**

SPECIFICATIONS

- Accommodates $.062" \pm .008"$ [1.57 ± 0.20] PC Board
- Insulator Material available in PBT, PPS or PA9T
- 3 Amp Current Rating per contact
- Insulator / Contact Specifications and Part Number Coding See Page 82-83
- P/N 04-0004-000 for In Between Contact Position Key See Page 126 (Sold Separately)
- Molded-in Key Available - Consult Factory



Micro Plastics Edgards



.125" Contact Centers, .550" Insulator Height, .025" Square Card Extender



PART NUMBER CODING

MPSL - 0 125 - 10 - D WE - 4 K TT

PLATING - RoHS Compliant
All Platings are Lead Free and have .000050" Nickel Underplate

Contact Surface	Termination
*MPSL = .000010" Gold	.000100" Pure Tin, Matte
*MPL = .000100" Overall Pure Tin, Matte	
MP = .000010" Overall Gold	

*Requires 'K' Modification Code

INSULATOR MATERIAL**
0 = PBT

CONTACT CENTERS
125 = .125" [3.18mm]

NUMBER OF POSITIONS
Contacts Per Row (See Position Chart Below)

READOUT
D = Dual

MODIFICATION CODE**
TT = No Standoffs

PLATING MODIFICATION CODE**
K = Required on MPSL or MPL Plating
Omit for MP Plating (Overall Gold)

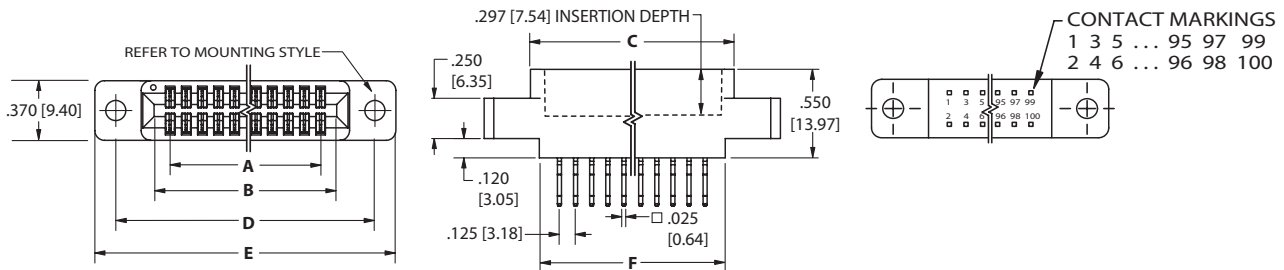
MOUNTING STYLE (See Opposite Page)
1 = .125" Clearance Hole
2 = #4-40 Threaded Insert
4 = No Mounting
5 = Raised, .125" Clearance Hole
6 = Raised, #4-40 Threaded Insert

TERMINATION TYPE (See Opposite Page)
WE = Card Extender

**** SEE PAGES 80-83 FOR SPECIFICATIONS AND OTHER VARIATIONS**

DIMENSIONS

Dimensions in [] are in millimeters, all others are in inches.



POSITIONS/ CONTACTS	INCHES						MILLIMETERS					
	A±.008	B±.008	C±.015	D±.010	E±.020	F±.015	A±0.20	B±0.20	C±0.38	D±0.25	E±0.51	F±0.38
06/12	0.625	0.875	1.035	1.295	1.555	0.875	15.88	22.23	26.29	32.89	39.50	22.23
10/20	1.125	1.375	1.535	1.795	2.055	1.375	28.58	34.93	38.99	45.59	52.20	34.93
14/28	1.625	1.875	2.035	2.295	2.555	1.875	41.28	47.63	51.69	58.29	64.90	47.63
15/30	1.750	2.000	2.160	2.420	2.680	2.000	44.45	50.80	54.86	61.47	68.07	50.80
18/36	2.125	2.375	2.535	2.795	3.055	2.375	53.98	60.33	64.39	70.99	77.60	60.33
22/44	2.625	2.875	3.035	3.295	3.555	2.875	66.68	73.03	77.09	83.69	90.30	73.03
24/48	2.875	3.125	3.285	3.545	3.805	3.125	73.03	79.38	83.44	90.04	96.65	79.38
28/56	3.375	3.625	3.785	4.045	4.305	3.625	85.73	92.08	96.14	102.74	109.35	92.08
30/60	3.625	3.875	4.035	4.295	4.555	3.875	92.08	98.43	102.49	109.09	115.70	98.43
31/62	3.750	4.000	4.160	4.420	4.680	4.000	95.25	101.60	105.66	112.27	118.87	101.60
32/64	3.875	4.125	4.285	4.545	4.805	4.125	98.43	104.78	108.84	115.44	122.05	104.78
35/70	4.250	4.500	4.660	4.920	5.180	4.500	107.95	114.30	118.36	124.97	131.57	114.30
36/72	4.375	4.625	4.785	5.045	5.305	4.625	111.13	117.48	121.54	128.14	134.75	117.48
40/80	4.875	5.125	5.285	5.545	5.805	5.125	123.83	130.18	134.24	140.84	147.45	130.18
43/86	5.250	5.500	5.660	5.920	6.180	5.500	133.35	139.70	143.76	150.37	156.97	139.70
44/88	5.375	5.625	5.785	6.045	6.305	5.625	136.53	142.88	146.94	153.54	160.15	142.88
49/98	6.000	6.250	6.410	6.670	6.930	6.250	152.40	158.75	162.81	169.42	176.02	158.75
50/100	6.125	6.375	6.535	6.795	7.055	6.375	155.58	161.93	165.99	172.59	179.20	161.93

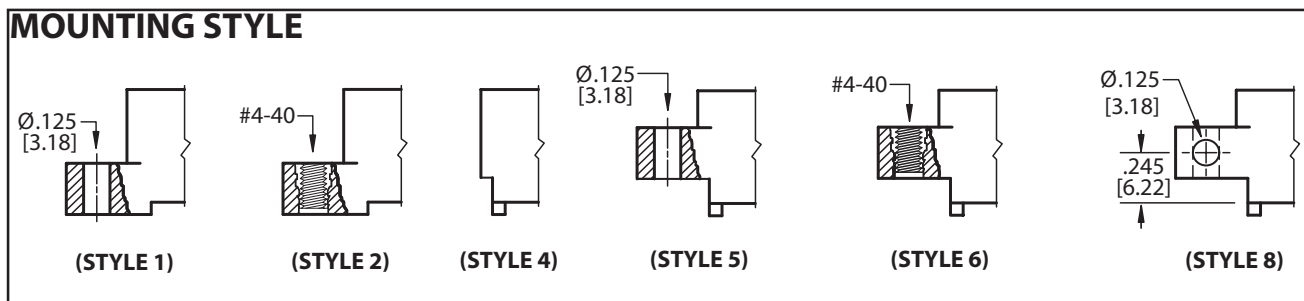
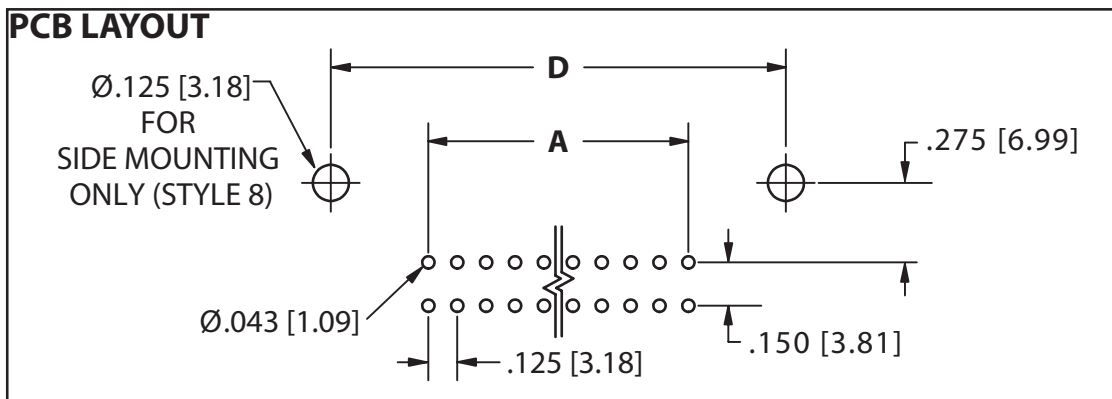
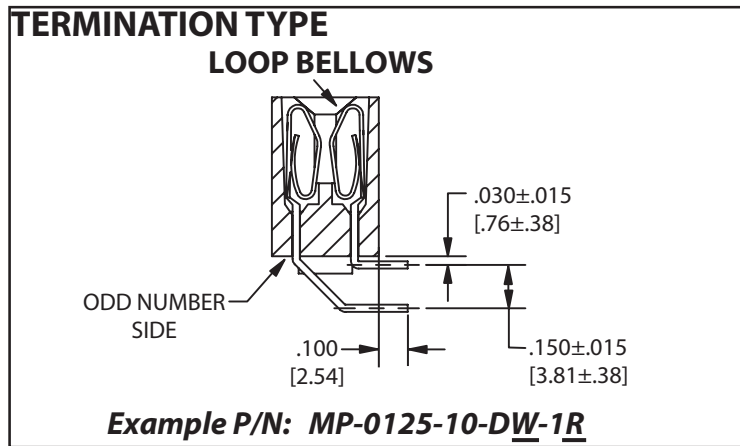
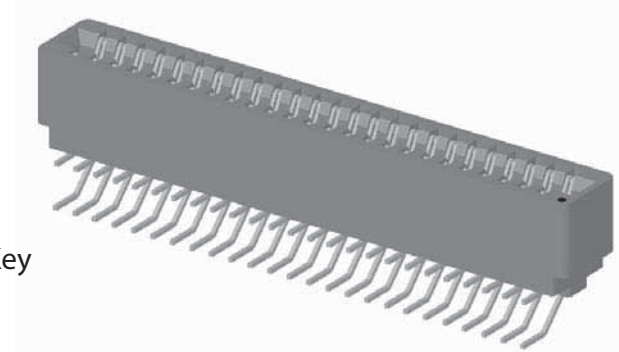
Micro Plastics Edgards



**.125" Contact Centers, .610" Insulator Height,
Right Angle**

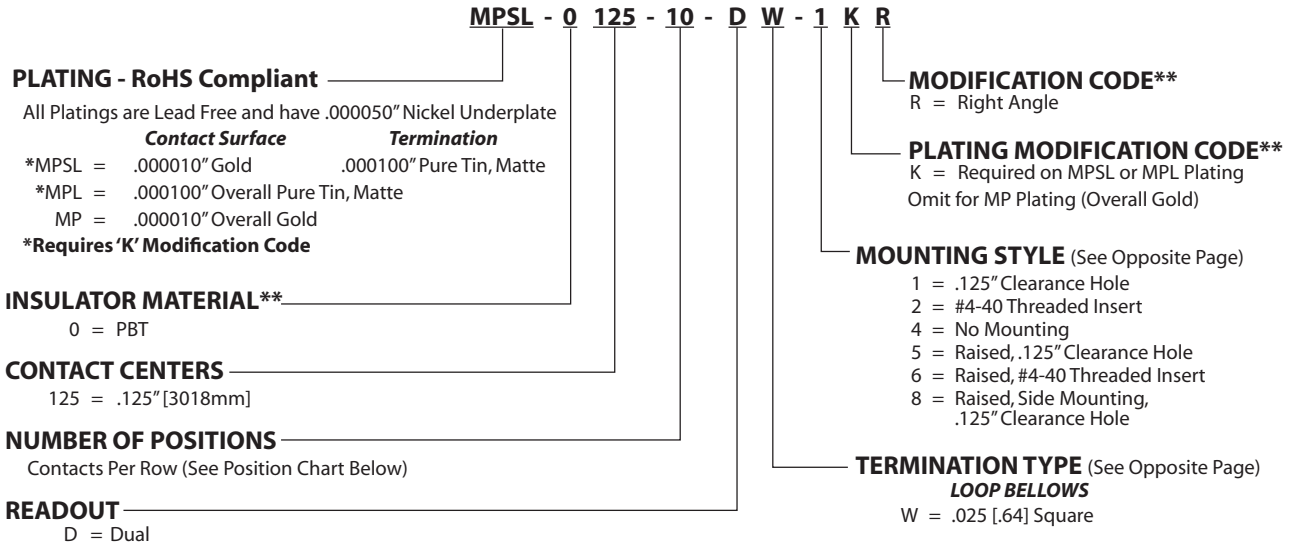
SPECIFICATIONS

- Accommodates $.062" \pm .008"$ [1.57 ± 0.20] PC Board
- Insulator Material available in PBT, PPS or PA9T
- 3 Amp Current Rating per contact
- Insulator / Contact Specifications and Part Number Coding See Page 82-83
- P/N 04-0004-000 for In Between Contact Position Key See Page 126 (Sold Separately)
- Molded-in Key Available - Consult Factory





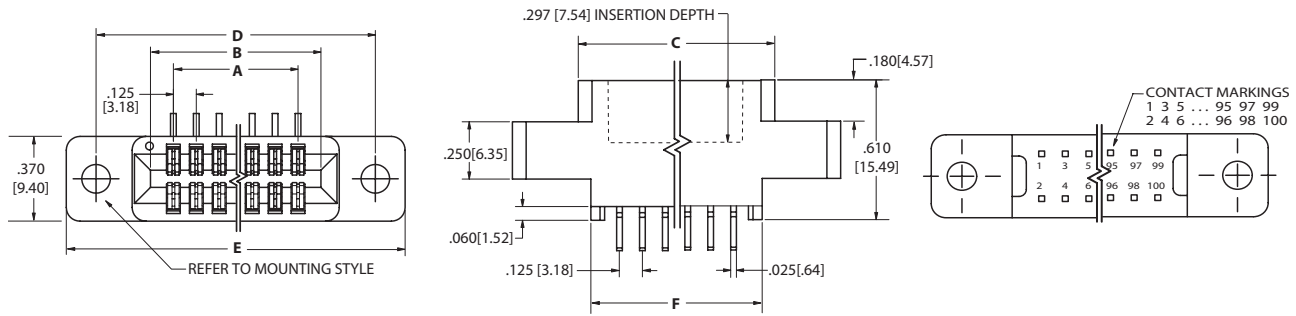
PART NUMBER CODING



**** SEE PAGES 82-83 FOR SPECIFICATIONS AND OTHER VARIATIONS**

DIMENSIONS

Dimensions in [] are in millimeters, all others are in inches.



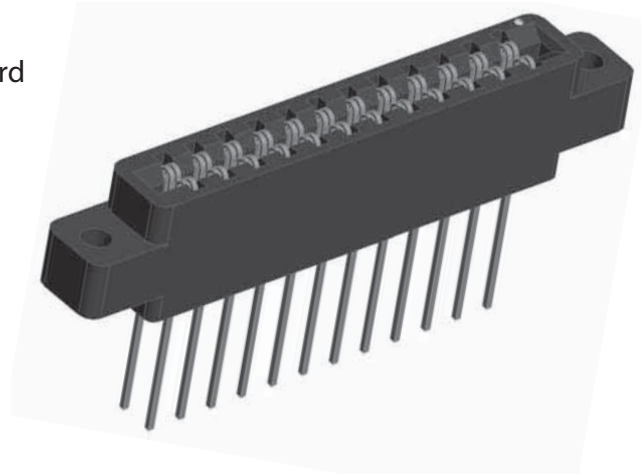
POSITIONS/ CONTACTS	INCHES						MILLIMETERS					
	A±.008	B±.008	C±.015	D±.010	E±.020	F±.015	A±0.20	B±0.20	C±0.38	D±0.25	E±0.51	F±0.38
06/12	0.625	0.875	1.035	1.295	1.555	0.875	15.88	22.23	26.29	32.89	39.50	22.23
10/20	1.125	1.375	1.535	1.795	2.055	1.375	28.58	34.93	38.99	45.59	52.20	34.93
14/28	1.625	1.875	2.035	2.295	2.555	1.875	41.28	47.63	51.69	58.29	64.90	47.63
15/30	1.750	2.000	2.160	2.420	2.680	2.000	44.45	50.80	54.86	61.47	68.07	50.80
18/36	2.125	2.375	2.535	2.795	3.055	2.375	53.98	60.33	64.39	70.99	77.60	60.33
22/44	2.625	2.875	3.035	3.295	3.555	2.875	66.68	73.03	77.09	83.69	90.30	73.03
24/48	2.875	3.125	3.285	3.545	3.805	3.125	73.03	79.38	83.44	90.04	96.65	79.38
28/56	3.375	3.625	3.785	4.045	4.305	3.625	85.73	92.08	96.14	102.74	109.35	92.08
30/60	3.625	3.875	4.035	4.295	4.555	3.875	92.08	98.43	102.49	109.09	115.70	98.43
31/62	3.750	4.000	4.160	4.420	4.680	4.000	95.25	101.60	105.66	112.27	118.87	101.60
32/64	3.875	4.125	4.285	4.545	4.805	4.125	98.43	104.78	108.84	115.44	122.05	104.78
35/70	4.250	4.500	4.660	4.920	5.180	4.500	107.95	114.30	118.36	124.97	131.57	114.30
36/72	4.375	4.625	4.785	5.045	5.305	4.625	111.13	117.48	121.54	128.14	134.75	117.48
40/80	4.875	5.125	5.285	5.545	5.805	5.125	123.83	130.18	134.24	140.84	147.45	130.18
43/86	5.250	5.500	5.660	5.920	6.180	5.500	133.35	139.70	143.76	150.37	156.97	139.70
44/88	5.375	5.625	5.785	6.045	6.305	5.625	136.53	142.88	146.94	153.54	160.15	142.88
49/98	6.000	6.250	6.410	6.670	6.930	6.250	152.40	158.75	162.81	169.42	176.02	158.75
50/100	6.125	6.375	6.535	6.795	7.055	6.375	155.58	161.93	165.99	172.59	179.20	161.93



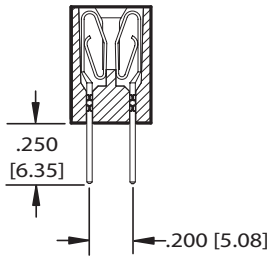
**.150" Contact Centers, .550" Insulator Height,
.025" Square & .026" Round Dip Solder**

SPECIFICATIONS

- Accommodates .062" ± .008" [1.57 ± 0.20] PC Board
- Insulator Material available in PBT, PPS or PA9T
- 3 Amp Current Rating per contact
- Insulator / Contact Specifications and Part Number Coding See Page 82-83
- P/N 04-0004-000 for In Between Contact Position Key See Page 126 (Sold Separately)
- Molded-in Key Available - Consult Factory

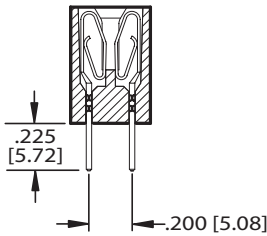


TERMINATION TYPE



.250 [6.35] TAIL LENGTH

Termination Code	Modification Code	Termination Type	Fits Min. Hole Size	Example Part Number
W	H	.025[.64] Square	.040[1.02]	<i>MPSL-0150-18-DW-1HK</i>
R	H	.026[.66] Round	.030[0.76]	<i>MPSL-0150-18-DR-1HK</i>

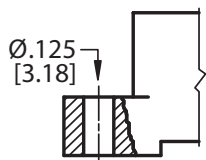


.225 [5.72] TAIL LENGTH

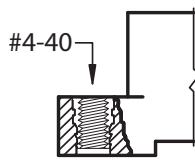
Termination Code	Modification Code	Termination Type	Fits Min. Hole Size	Example Part Number
R	H(.225)	.026[.66] Round	.030[0.76]	<i>MPSL-0150-18-DR-1HK(.225)</i>

Micro Plastics Edgards

MOUNTING STYLE



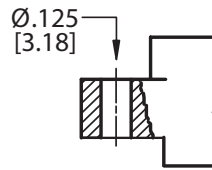
(STYLE 1)



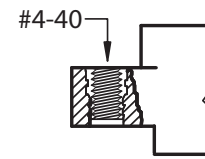
(STYLE 2)



(STYLE 4)



(STYLE 5)



(STYLE 6)



**.150" Contact Centers, .550" Insulator Height,
.025" Square & .026" Round Dip Solder**

PART NUMBER CODING

MPSL - 0 150 - 18 - D W - 1 H K

PLATING - RoHS Compliant
All Platings are Lead Free and have .000050" Nickle Underplate

Contact Surface Termination

*MPSL = .000010" Gold .000100" Pure Tin Matte
*MPL = .000100" Overall Pure Tin, Matte
MP = .000010" Overall Gold

*** Requires 'K' Modification Code**

INSULATOR MATERIAL**
0 = PBT

CONTACT CENTERS
150 = .150" [3.81mm]

NUMBER OF POSITIONS
Contacts Per Row (See Position Chart Below)

READOUT
D = Dual

PLATING MODIFICATION CODE**
K = Required on MPSL or MPL Plating
Omit for MP Plating (Overall Gold)

MODIFICATION CODE**
(See Opposite Page)
H = Dip Solder .250[6.35] Tail Length
(.026 Round or .025 Square)
H(.225) = Dip Solder .225[5.72] Tail Length
(.026 Round Only)

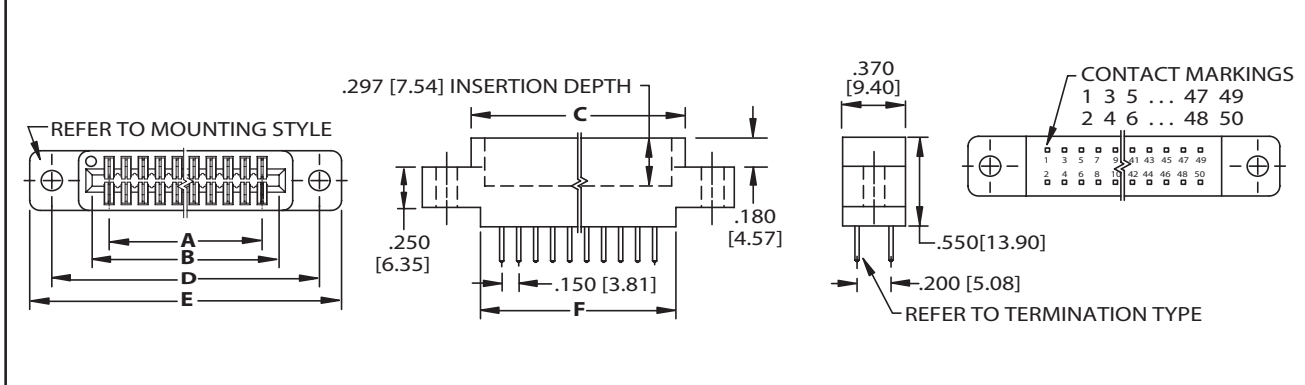
MOUNTING STYLE (See Opposite Page)
1 = .125" Clearance Hole
2 = #4-40 Threaded Insert
4 = No Mounting
5 = Raised, .125" Clearance Hole
6 = Raised, #4-40 Threaded Insert

TERMINATION TYPE (See Opposite Page)
LOOP BELLOWS
(MPSL Plating Code Only)
W = .025[.64mm] Square
R = .026[.66mm] Round

**** SEE PAGES 82-83 FOR SPECIFICATIONS AND OTHER VARIATIONS**

DIMENSIONS

Dimensions in [] are in millimeters, all others are in inches.



Micro Plastics Edgcards

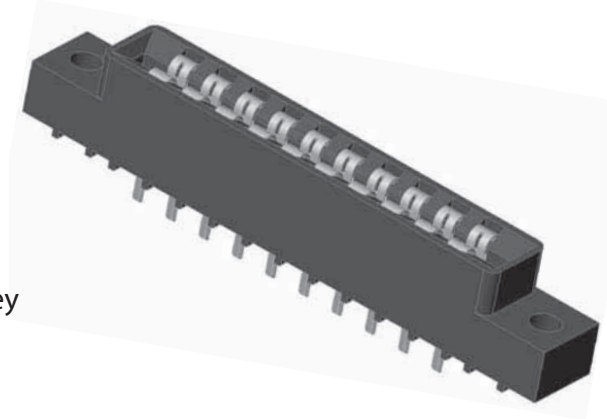
POSITIONS/ CONTACTS	INCHES						[MILLIMETERS]					
	A±.010	B±.010	C±.015	D±.015	E±.020	F±.015	A±0.25	B±0.25	C±0.38	D±0.38	E±0.51	F±0.20
18/36	2.550	2.850	2.990	3.300	3.550	2.800	64.77	72.39	75.95	83.82	90.17	71.12
25/50	3.600	3.900	4.040	-----	-----	3.850	91.44	99.06	102.62	-----	-----	97.79
26/52	3.750	4.050	4.190	4.500	4.750	4.000	95.25	102.87	106.43	114.30	120.65	101.60
28/56	4.050	4.350	4.490	4.800	5.050	4.300	102.87	110.49	114.05	121.92	128.27	109.22
32/64	4.650	4.950	5.090	-----	-----	4.900	118.11	125.73	129.29	-----	-----	124.46
50/100	7.350	7.650	7.800	-----	-----	7.600	186.69	194.31	198.12	-----	-----	193.04



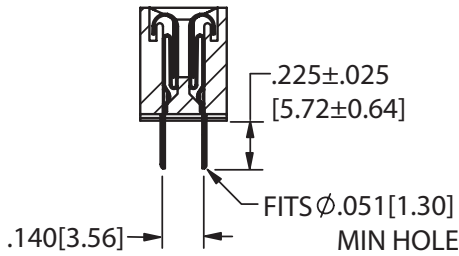
**.156" Contact Centers, .431" Insulator Height,
Dip Solder**

SPECIFICATIONS

- Accommodates $.062" \pm .008"$ [1.57 ± 0.20] PC Board
- Insulator Material available in PBT, PPS or PA9T
- 3 Amp Current Rating per contact
- Insulator / Contact Specifications and Part Number Coding See Page 82-83
- Row Spacing Available in $.140"$ or $.200"$ (Use Modification Code 'E9' or 'X9' for $.200"$)
- P/N 04-0003-000 for In Between Contact Position Key
P/N 04-0002-000 for In Contact Position Key
See Page 126 (Sold Separately)
- Molded-in Key Available - Consult Factory

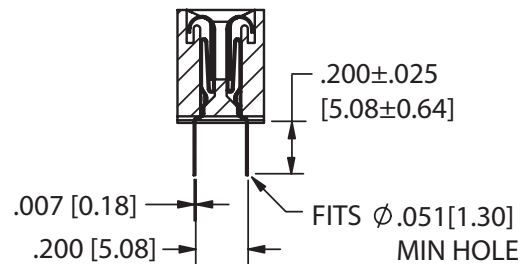


TERMINATION TYPE



**DIP SOLDER (S)
.140" ROW SPACING**

Example P/N: MPSL-0156-10-DS-1K

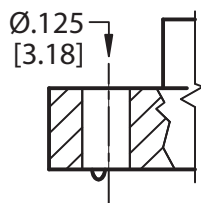


**DIP SOLDER (S)
.200" ROW SPACING
REQUIRES 'X9' MODIFICATION CODE**

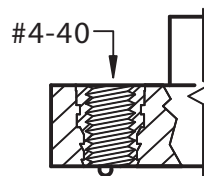
Example P/N: MPSL-0156-10-DS-1X9K

Micro Plastics Edgards

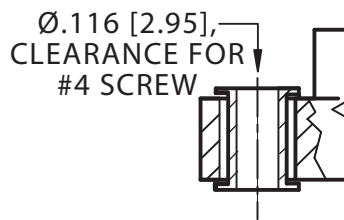
MOUNTING STYLE



(STYLE 1)



(STYLE 2)



(STYLE 3)



(STYLE 4)



PART NUMBER CODING

MPSL - 0 156 - 10 - D S - 1 K

PLATING - RoHS Compliant
All Platings are Lead Free and have .000050" Nickel Underplate

Contact Surface Termination

*MPSL = .000010" Gold .000100" Pure Tin, Matte

*MPL = .000100" Overall Pure Tin, Matte

MP = .000010" Overall Gold

***Requires 'K' Modification Code**

INSULATOR MATERIAL**
0 = PBT

CONTACT CENTERS
156 = .156" [3.96mm]

NUMBER OF POSITIONS
Contacts Per Row (See Position Chart Below)

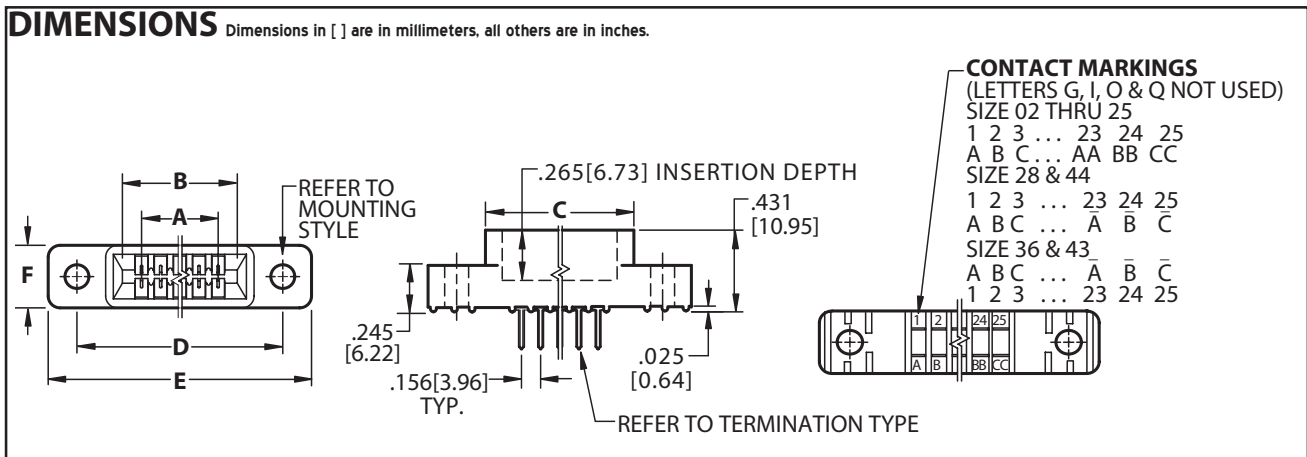
MODIFICATION CODE**
K = Required on MPSL or MPL Plating
Omit for MP Plating (Overall Gold)
E9, X9 = .200" Row Spacing

MOUNTING STYLE (See Opposite Page)
1 = .125" Clearance Hole
2 = #4-40 Threaded Insert
3 = Floating Bobbin
4 = No Mounting

TERMINATION TYPE (See Opposite Page)
S = Dip Solder

READOUT
D = Dual

**** SEE PAGES 82-83 FOR SPECIFICATIONS AND OTHER VARIATIONS**



POSITIONS/ CONTACTS	INCHES					[MILLIMETERS]						
	A±.008	B±.008	C±.015	D±.010	E MAX	F±.005	A±0.20	B±0.20	C±0.38	D±0.25	E MAX	F±0.13
02/04	0.156	0.476	0.596	'N' MOUNTING		0.325	3.96	12.09	15.14	'N' MOUNTING		
03/06	0.312	0.632	0.752	'N' MOUNTING			7.92	16.05	19.10	'N' MOUNTING		
06/12	0.780	1.100	1.220	1.533	1.902		19.81	27.94	30.99	38.94	48.31	
08/16	1.092	1.412	1.532	1.845	2.214		27.74	35.86	38.91	46.86	56.24	
10/20	1.404	1.724	1.844	2.157	2.526		35.66	43.79	46.84	54.79	64.16	
11/22	1.560	1.880	2.000	2.313	2.682		39.62	47.75	50.80	58.75	68.12	
12/24	1.716	2.036	2.156	2.469	2.838		43.59	51.71	54.76	62.71	72.09	
15/30	2.184	2.504	2.624	2.937	3.306		55.47	63.60	66.65	74.60	83.97	
18/36	2.652	2.972	3.092	3.405	3.774		67.36	75.49	78.54	86.49	95.86	
22/44	3.276	3.596	3.716	4.029	4.398		83.21	91.34	94.39	102.34	111.71	
24/48	3.588	3.908	4.028	4.341	4.710		91.14	99.26	102.31	110.26	119.63	
25/50	3.744	4.064	4.184	4.497	4.866		95.10	103.23	106.27	114.22	123.60	
28/56	4.212	4.532	4.652	4.965	5.334		106.98	115.11	118.16	126.11	135.48	
36/72	5.460	5.780	5.900	6.213	6.582		138.68	146.81	149.86	157.81	167.18	
43/86	6.552	6.872	6.992	7.305	7.674		166.42	174.55	177.60	185.55	194.92	
44/88	6.708	7.028	7.148	7.461	7.830	170.38	178.51	181.56	189.51	198.88		

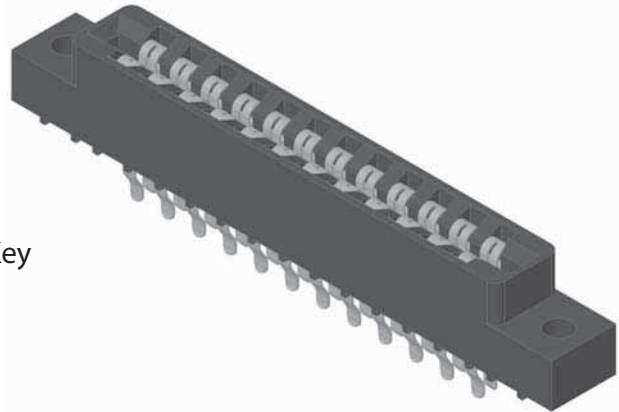
Micro Plastics Edgcards



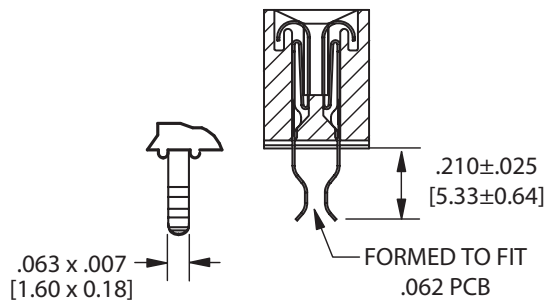
**.156" Contact Centers, .431" Insulator Height,
Card Extender**

SPECIFICATIONS

- Accommodates $.062" \pm .008"$ [1.57 ± 0.20] PC Board
- Insulator Material available in PBT, PPS or PA9T
- 3 Amp Current Rating per contact
- Insulator / Contact Specifications and Part Number Coding See Page 82-83
- P/N 04-0003-000 for In Between Contact Position Key
P/N 04-0002-000 for In Contact Position Key
See Page 126 (Sold Separately)
- Molded-in Key Available - Consult Factory

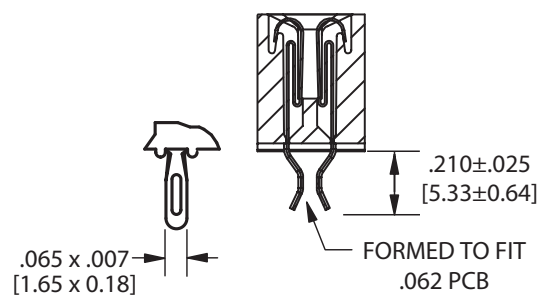


TERMINATION TYPE



CARD EXTENDER (SE)

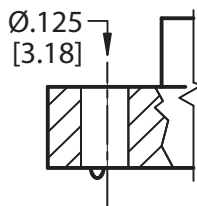
Example P/N: MPSL-0156-10-DSE-1K



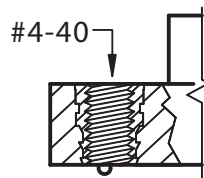
**ECONOMY EYELET
CARD EXTENDER (PE)**

Example P/N: EMPL-0156-10-DPE-1K

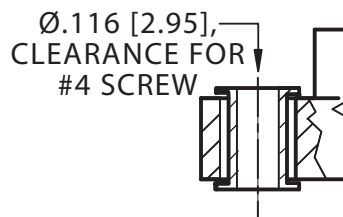
MOUNTING STYLE



(STYLE 1)



(STYLE 2)



(STYLE 3)



(STYLE 4)



PART NUMBER CODING

MPSL - 0 156 - 10 - D SE - 1 K

PLATING - RoHS Compliant

All Platings are Lead Free and have .000050" Nickel Underplate

Contact Surface Termination

- *MPSL = .000010" Gold .000100" Pure Tin Matte
- *MPL = .000100" Overall Pure Tin, Matte
- MP = .000010" Overall Gold

Platings that start with 'E' are for Economy Eyelet Only

- *EMPSL = .000010" Gold .000100" Pure Tin Matte
- *EMPL = .000100" Overall Pure Tin, Matte
- EMP = .000010" Overall Gold

*** Requires 'K' Modification Code**

Other Plating and thicknesses available upon request

INSULATOR MATERIAL**

0 = PBT

CONTACT CENTERS

156 = .156" [3.96mm]

NUMBER OF POSITIONS

Contacts Per Row (See Position Chart Below)

PLATING MODIFICATION CODE**

K = Required on MPSL or MPL Plating
Omit for MP Plating (Overall Gold)

MOUNTING STYLE (See Opposite Page)

- 1 = .125" Clearance Hole
- 2 = #4-40 Threaded Insert
- 3 = Floating Bobbin
- 4 = No Mounting

TERMINATION TYPE (See Opposite Page)

SE = Card Extender
Requires Part Number to start with 'M'
PE = Economy Eyelet Card Extender
Requires Part Number to start with 'E'

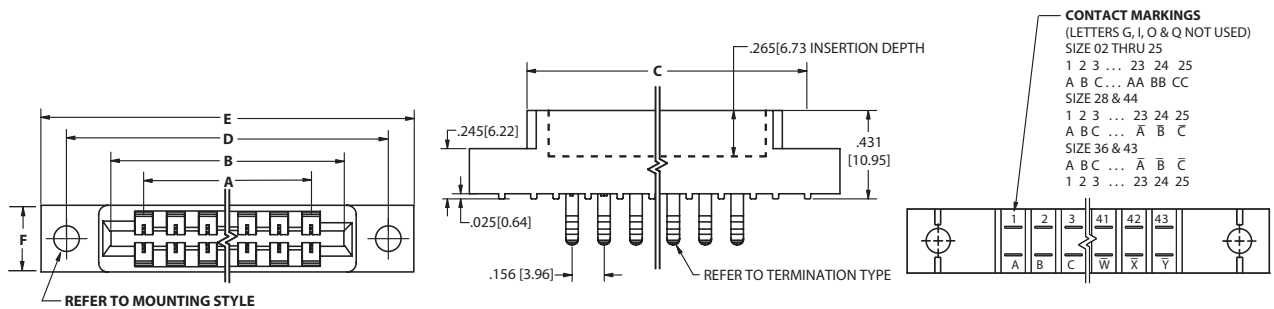
READOUT

D = Dual

**** SEE PAGES 82-83 FOR SPECIFICATIONS AND OTHER VARIATIONS**

DIMENSIONS

Dimensions in [] are in millimeters, all others are in inches.



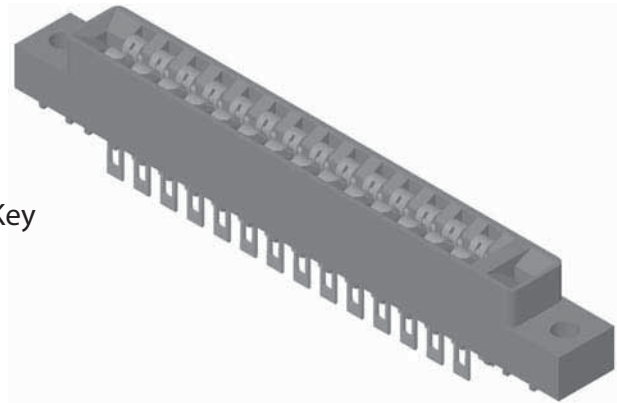
POSITIONS/ CONTACTS	INCHES						[MILLIMETERS]					
	A±.008	B±.008	C±.015	D±.010	E MAX	F±.005	A±0.20	B±0.20	C±0.38	D±0.25	E MAX	F±0.13
02/04	0.156	0.476	0.596	'N' MOUNTING			3.96	12.09	15.14	'N' MOUNTING		
03/06	0.312	0.632	0.752	'N' MOUNTING			7.92	16.05	19.10	'N' MOUNTING		
06/12	0.780	1.100	1.220	1.533	1.902	0.325	19.81	27.94	30.99	38.94	48.31	8.26
08/16	1.092	1.412	1.532	1.845	2.214		27.74	35.86	38.91	46.86	56.24	
10/20	1.404	1.724	1.844	2.157	2.526		35.66	43.79	46.84	54.79	64.16	
11/22	1.560	1.880	2.000	2.313	2.682		39.62	47.75	50.80	58.75	68.12	
12/24	1.716	2.036	2.156	2.469	2.838		43.59	51.71	54.76	62.71	72.09	
15/30	2.184	2.504	2.624	2.937	3.306		55.47	63.60	66.65	74.60	83.97	
18/36	2.652	2.972	3.092	3.405	3.774		67.36	75.49	78.54	86.49	95.86	
22/44	3.276	3.596	3.716	4.029	4.398		83.21	91.34	94.39	102.34	111.71	
24/48	3.588	3.908	4.028	4.341	4.710		91.14	99.26	102.31	110.26	119.63	
25/50	3.744	4.064	4.184	4.497	4.866		95.10	103.23	106.27	114.22	123.60	
28/56	4.212	4.532	4.652	4.965	5.334	0.438	106.98	115.11	118.16	126.11	135.48	11.13
36/72	5.460	5.780	5.900	6.213	6.582		138.68	146.81	149.86	157.81	167.18	
43/86	6.552	6.872	6.992	7.305	7.674	0.500	166.42	174.55	177.60	185.55	194.92	12.70
44/88	6.708	7.028	7.148	7.461	7.830		170.38	178.51	181.56	189.51	198.88	



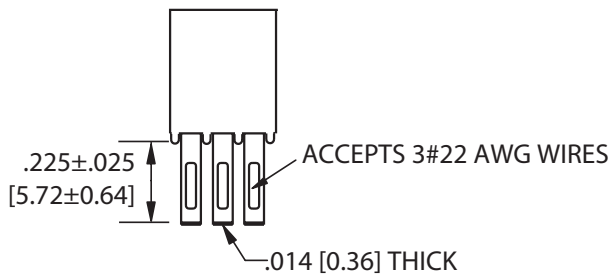
**.156" Contact Centers, .431" Insulator Height,
Eyelet**

SPECIFICATIONS

- Accommodates $.062" \pm .008"$ [1.57 ± 0.20] PC Board
- Insulator Material available in PBT, PPS or PA9T
- 3 Amp Current Rating per contact
- Insulator / Contact Specifications and Part Number Coding See Page 82-83
- P/N 04-0003-000 for In Between Contact Position Key
P/N 04-0002-000 for In Contact Position Key
See Page 126 (Sold Separately)
- Molded-in Key Available - Consult Factory

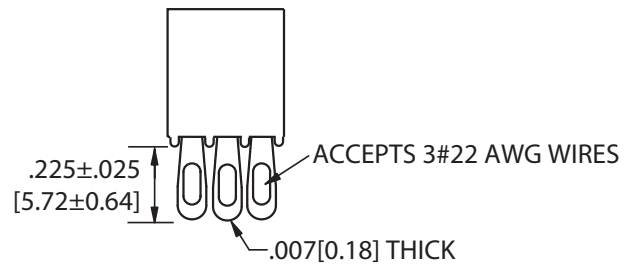


TERMINATION TYPE



EYELET (P)

Example P/N: MP-0156-10-DP-1

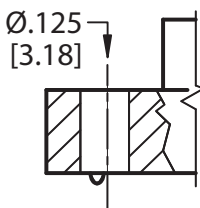


ECONOMY EYELET (P)

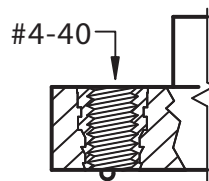
Example P/N: EMPSL-0156-10-DP-1K

Micro Plastics Edgards

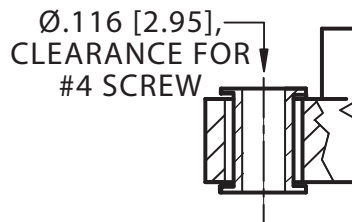
MOUNTING STYLE



(STYLE 1)



(STYLE 2)



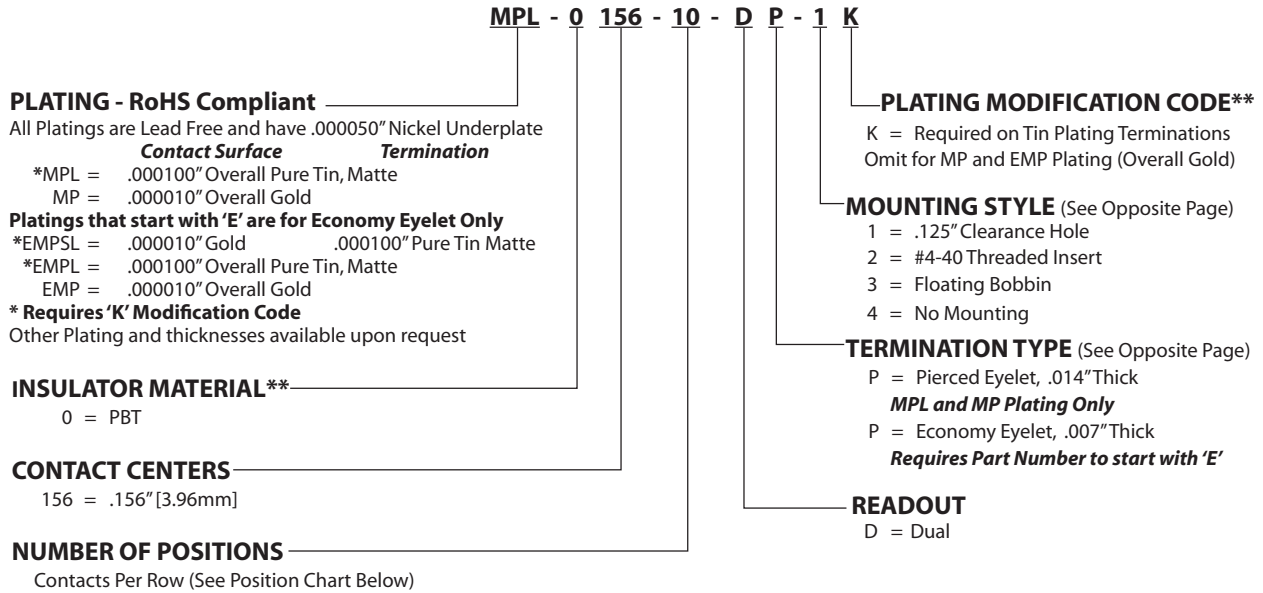
(STYLE 3)



(STYLE 4)



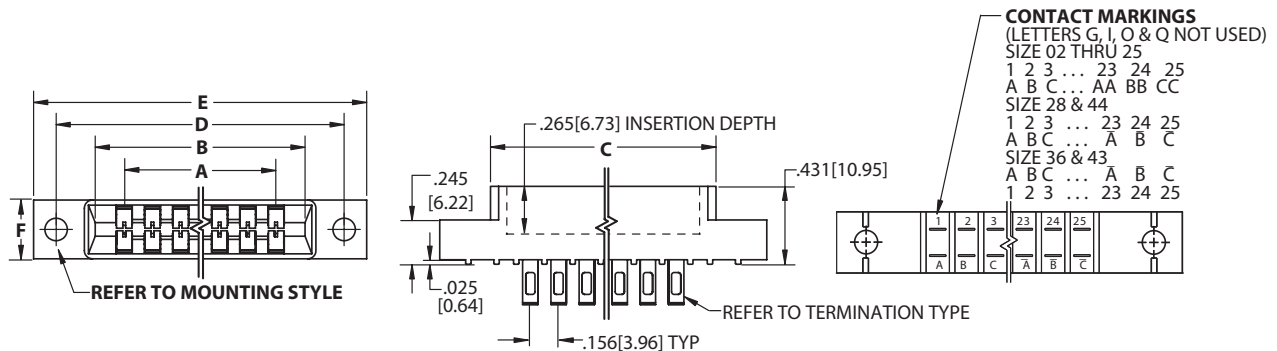
PART NUMBER CODING



**** SEE PAGES 82-83 FOR SPECIFICATIONS AND OTHER VARIATIONS**

DIMENSIONS

Dimensions in [] are in millimeters, all others are in inches.



POSITIONS/ CONTACTS	INCHES					[MILLIMETERS]						
	A±.008	B±.008	C±.015	D±.010	E MAX	F±.005	A±0.20	B±0.20	C±0.38	D±0.25	E MAX	F±0.13
02/04	0.156	0.476	0.596	'N' MOUNTING			3.96	12.09	15.14	'N' MOUNTING		
03/06	0.312	0.632	0.752	'N' MOUNTING			7.92	16.05	19.10	'N' MOUNTING		
06/12	0.780	1.100	1.220	1.533	1.902	0.325	19.81	27.94	30.99	38.94	48.31	8.26
08/16	1.092	1.412	1.532	1.845	2.214		27.74	35.86	38.91	46.86	56.24	
10/20	1.404	1.724	1.844	2.157	2.526		35.66	43.79	46.84	54.79	64.16	
11/22	1.560	1.880	2.000	2.313	2.682		39.62	47.75	50.80	58.75	68.12	
12/24	1.716	2.036	2.156	2.469	2.838		43.59	51.71	54.76	62.71	72.09	
15/30	2.184	2.504	2.624	2.937	3.306		55.47	63.60	66.65	74.60	83.97	
18/36	2.652	2.972	3.092	3.405	3.774		67.36	75.49	78.54	86.49	95.86	
22/44	3.276	3.596	3.716	4.029	4.398		83.21	91.34	94.39	102.34	111.71	
24/48	3.588	3.908	4.028	4.341	4.710		91.14	99.26	102.31	110.26	119.63	
25/50	3.744	4.064	4.184	4.497	4.866		95.10	103.23	106.27	114.22	123.60	
28/56	4.212	4.532	4.652	4.965	5.334	0.438	106.98	115.11	118.16	126.11	135.48	11.13
36/72	5.460	5.780	5.900	6.213	6.582		138.68	146.81	149.86	157.81	167.18	
43/86	6.552	6.872	6.992	7.305	7.674	0.500	166.42	174.55	177.60	185.55	194.92	12.70
44/88	6.708	7.028	7.148	7.461	7.830		170.38	178.51	181.56	189.51	198.88	

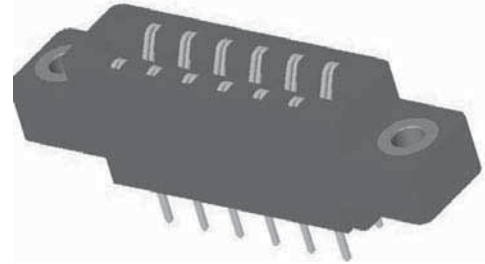
Micro Plastics Edgcards



**.156" Contact Centers, .610" Insulator Height,
Wire Wrap & Dip Solder**

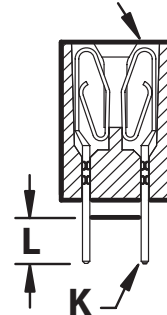
SPECIFICATIONS

- Accommodates .062" ± .008" [1.57 ± 0.20] PC Board
- Insulator Material available in PBT, PPS or PA9T
- 3 Amp Current Rating per contact
- Insulator / Contact Specifications and Part Number Coding See Page 82-83
- P/N 04-0004-000 for In Between Contact Position Key See Page 126 (Sold Separately)
- Molded-in Key Available - Consult Factory



TERMINATION TYPE

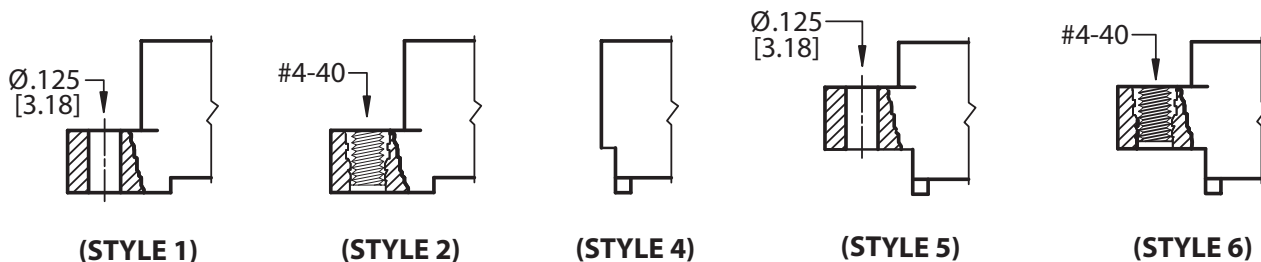
LOOP BELLOWS



LOOP BELLOWS

TERMINATION CODE	MODIFICATION CODE	TYPE	POST CROSS SECTION K	POST LENGTH L	FITS MIN. HOLE SIZE	EXAMPLE PART NUMBER
R	H	Dip Solder	.026 [0.66] Round	.190 [4.83]	.030 [0.76]	<i>MPSL-0156-10-DR-1HK</i>
R	H(.165)	Dip Solder	.026 [0.66] Round	.165 [4.19]	.030 [0.76]	<i>MPSL-0156-10-DR-1HK(.165)</i>
W	H	Dip Solder	.025 [0.64] Square	.190 [4.83]	.040 [1.02]	<i>MPSL-0156-10-DW-1HK</i>
W	OMIT	Wire Wrap	.025 [0.64] Square	.560 [14.20]	.040 [1.02]	<i>MPSL-0156-10-DW-1K</i>

MOUNTING STYLE





PART NUMBER CODING

MPSL - 0 156 - 10 - D W - 1 H K

PLATING - RoHS Compliant
All Platings are Lead Free and have .000050" Nickel Underplate

Contact Surface Termination

*MPSL = .000010" Gold .000100" Pure Tin, Matte
*MPL = .000100" Overall Pure Tin, Matte
MP = .000010" Overall Gold

***Requires 'K' Modification Code**

INSULATOR MATERIAL**
0 = PBT

CONTACT CENTERS
156 = .156" [3.96mm]

NUMBER OF POSITIONS
Contacts Per Row (See Position Chart Below)

READOUT
D = Dual

PLATING MODIFICATION CODE**
K = Required on MPSL or MPL Plating
Omit for MP Plating (Overall Gold)

MODIFICATION CODE**
(See Opposite Page)
H = Dip Solder .190[4.83] Tail Length
(.026 Round or .025 Square)
H(.165) = Dip Solder .165[4.19] Tail Length
(.026 Round Only)

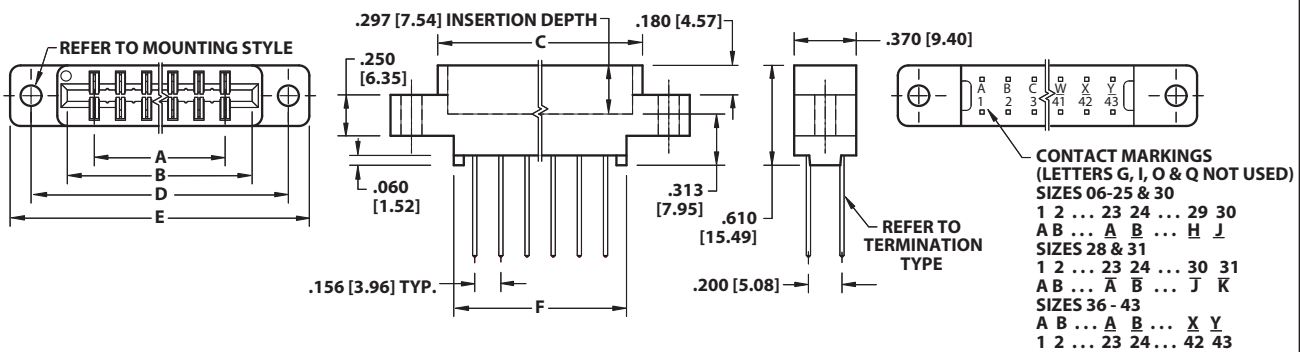
MOUNTING STYLE (See Opposite Page)
1 = .125" Clearance Hole
2 = #4-40 Threaded Insert
4 = No Mounting
5 = Raised, .125" Clearance Hole
6 = Raised, #4-40 Threaded Insert

TERMINATION TYPE (See Opposite Page)
LOOP BELLOWS
R = .026[.66mm] Round
W = .025[.64mm] Square

**** SEE PAGES 82-83 FOR SPECIFICATIONS AND OTHER VARIATIONS**

DIMENSIONS

Dimensions in [] are in millimeters, all others are in inches.



POSITIONS/ CONTACTS	INCHES						[MILLIMETERS]					
	A±.008	B±.008	C±.015	D±.010	E±.020	F±.015	A±0.20	B±0.20	C±0.38	D±0.25	E±0.51	F±0.38
06/12	0.780	1.102	1.221	1.534	1.784	1.030	19.81	27.99	31.01	38.96	45.31	26.16
08/16	1.092	1.414	1.533	1.846	2.096	1.342	27.74	35.92	38.94	46.89	53.24	34.09
10/20	1.404	1.726	1.845	2.158	2.408	1.654	35.66	43.84	46.86	54.81	61.16	42.01
12/24	1.716	2.038	2.157	2.470	2.720	1.966	43.59	51.77	54.79	62.74	69.09	49.94
15/30	2.184	2.506	2.625	2.938	3.188	2.434	55.47	63.65	66.68	74.63	80.98	61.82
18/36	2.652	2.974	3.093	3.406	3.656	2.902	67.36	75.54	78.56	86.51	92.86	73.71
20/40*	2.964	3.286	3.405	3.718	3.968	3.214	75.29	83.46	86.49	94.44	100.79	81.64
22/44	3.276	3.598	3.717	4.030	4.280	3.526	83.21	91.39	94.41	102.36	108.71	89.56
24/48	3.588	3.910	4.029	4.342	4.592	3.838	91.14	99.31	102.34	110.29	116.64	97.49
25/50	3.744	4.066	4.185	4.498	4.748	3.994	95.10	103.28	106.30	114.25	120.60	101.45
28/56	4.212	4.534	4.653	4.966	5.216	4.462	106.98	115.16	118.19	126.14	132.49	113.33
30/60	4.524	4.846	4.965	5.278	5.528	4.774	114.91	123.09	126.11	134.06	140.41	121.26
31/62	4.680	5.002	5.121	5.434	5.684	4.930	118.87	127.05	130.07	138.02	144.37	125.22
36/72	5.460	5.782	5.901	6.214	6.464	5.710	138.68	146.86	149.89	157.84	164.19	145.03
40/80	6.084	6.406	6.525	6.838	7.088	6.334	154.53	162.71	165.74	173.69	180.04	160.88
43/86	6.552	6.874	6.993	7.306	7.556	6.802	166.42	174.60	177.62	185.57	191.92	172.77

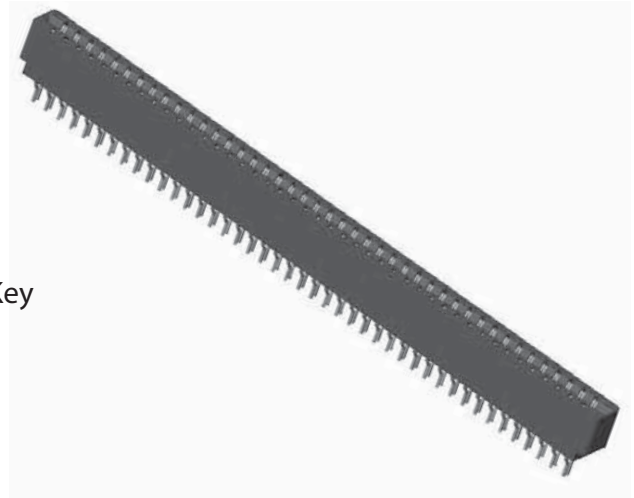
* Consult Factory for availability.



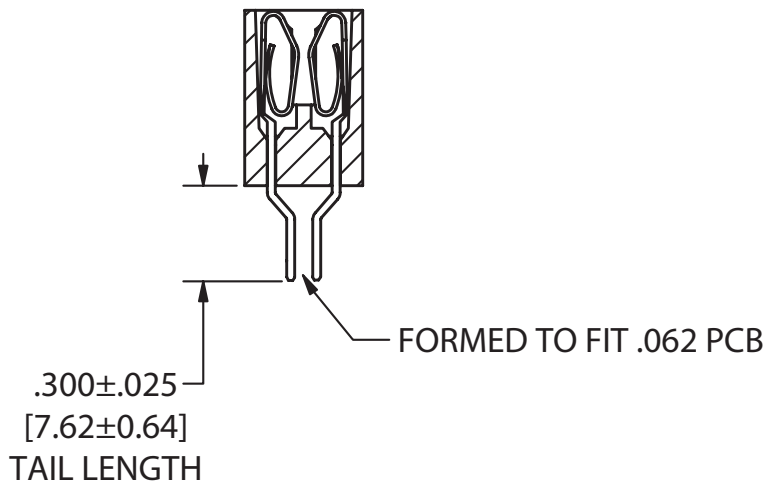
**.156" Contact Centers, .550" Insulator Height,
.025" Square Card Extender**

SPECIFICATIONS

- Accommodates $.062" \pm .008"$ [1.57 ± 0.20] PC Board
- Insulator Material available in PBT, PPS or PA9T
- 3 Amp Current Rating per contact
- Insulator / Contact Specifications and Part Number Coding See Page 82-83
- P/N 04-0004-000 for In Between Contact Position Key See Page 126 (Sold Separately)
- Molded-in Key Available - Consult Factory



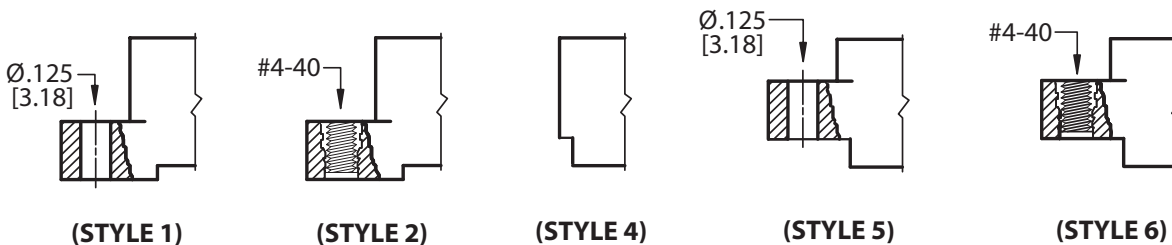
TERMINATION TYPE



Example P/N: MPSL-0156-10-DWE-4KTT

Micro Plastics Edgards

MOUNTING STYLE

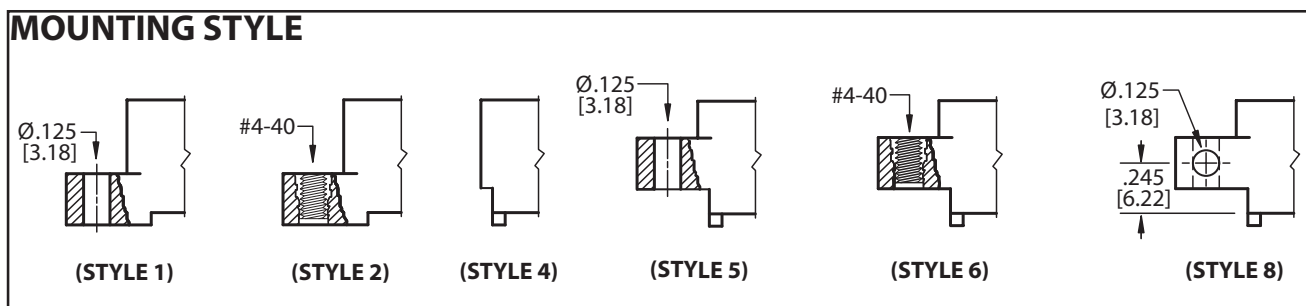
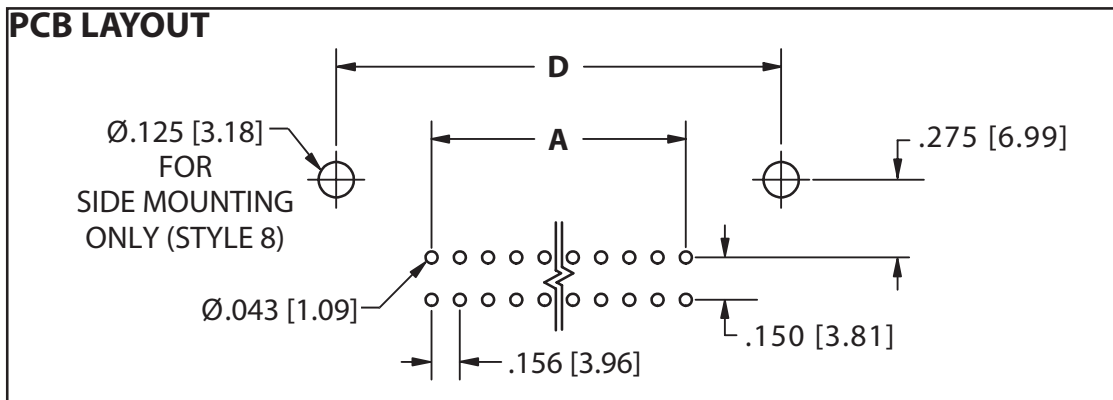
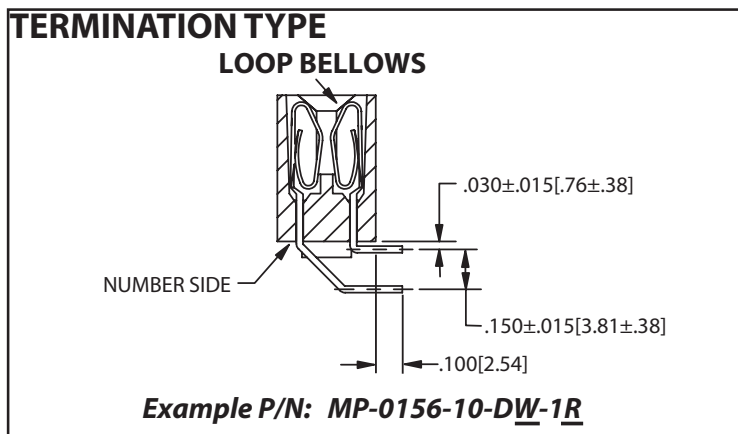
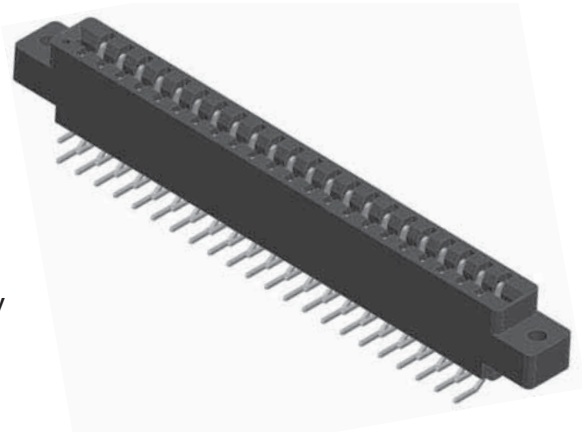




**.156" Contact Centers, .610" Insulator Height,
Right Angle**

SPECIFICATIONS

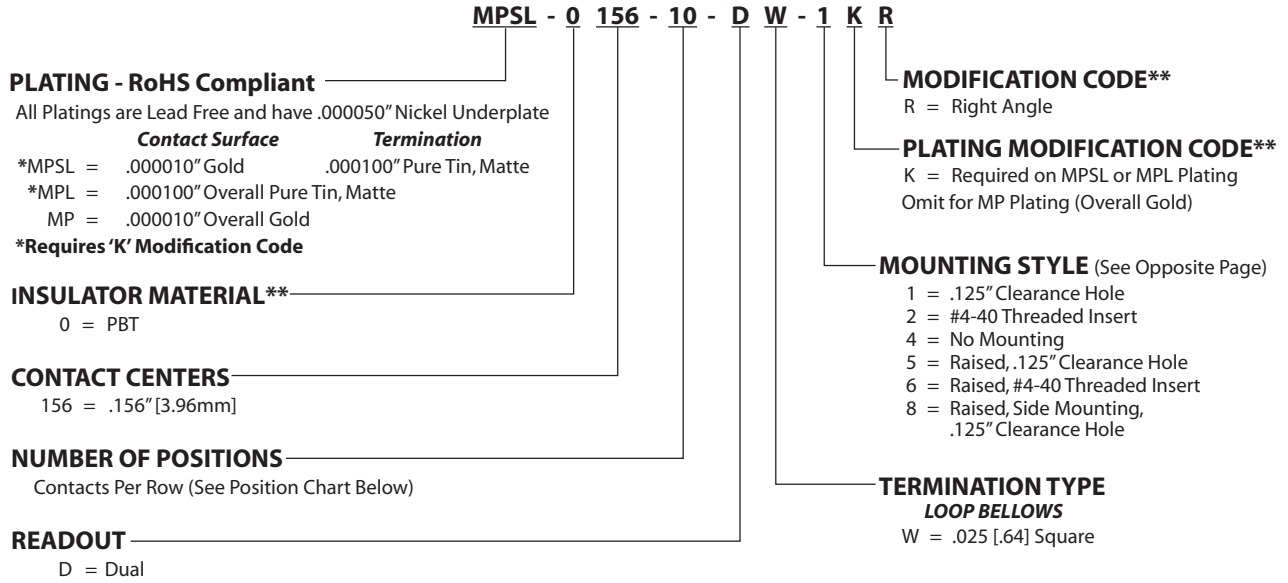
- Accommodates $.062" \pm .008"$ [1.57 ± 0.20] PC Board
- Insulator Material available in PBT, PPS or PA9T
- 3 Amp Current Rating per contact
- Insulator / Contact Specifications and Part Number Coding See Page 82-83
- P/N 04-0004-000 for In Between Contact Position Key See Page 126 (Sold Separately)
- Molded-in Key Available - Consult Factory



Micro Plastics Edgards



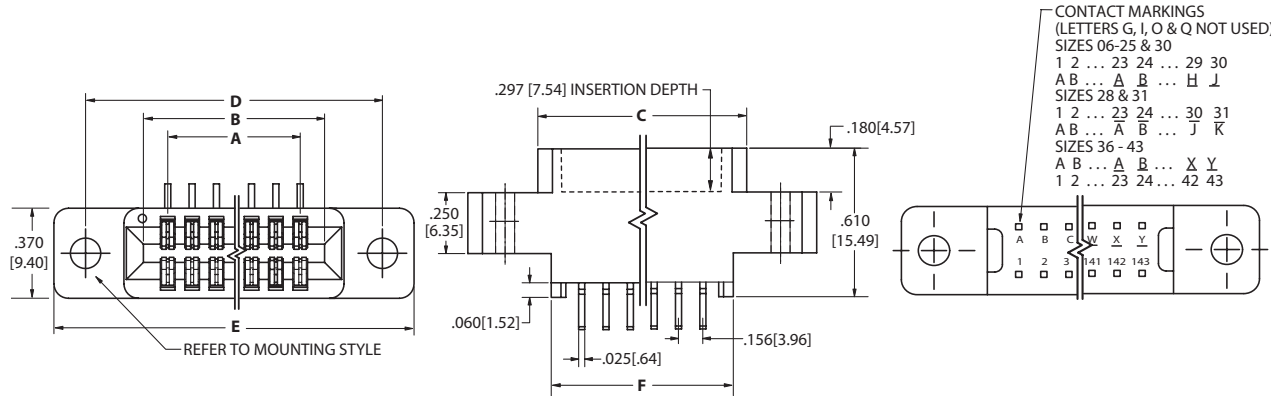
PART NUMBER CODING



**** SEE PAGES 82-83 FOR SPECIFICATIONS AND OTHER VARIATIONS**

DIMENSIONS

Dimensions in [] are in millimeters, all others are in inches.



POSITIONS/ CONTACTS	INCHES						[MILLIMETERS]					
	A±.008	B±.008	C±.015	D±.010	E±.020	F±.015	A±0.20	B±0.20	C±0.38	D±0.25	E±0.51	F±0.38
06/12	0.780	1.102	1.221	1.534	1.784	1.030	19.81	27.99	31.01	38.96	45.31	26.16
08/16	1.092	1.414	1.533	1.846	2.096	1.342	27.74	35.92	38.94	46.89	53.24	34.09
10/20	1.404	1.726	1.845	2.158	2.408	1.654	35.66	43.84	46.86	54.81	61.16	42.01
12/24	1.716	2.038	2.157	2.470	2.720	1.966	43.59	51.77	54.79	62.74	69.09	49.94
15/30	2.184	2.506	2.625	2.938	3.188	2.434	55.47	63.65	66.68	74.63	80.98	61.82
18/36	2.652	2.974	3.093	3.406	3.656	2.902	67.36	75.54	78.56	86.51	92.86	73.71
20/40*	2.964	3.286	3.405	3.718	3.968	3.214	75.29	83.46	86.49	94.44	100.79	81.64
22/44	3.276	3.598	3.717	4.030	4.280	3.526	83.21	91.39	94.41	102.36	108.71	89.56
24/48	3.588	3.910	4.029	4.342	4.592	3.838	91.14	99.31	102.34	110.29	116.64	97.49
25/50	3.744	4.066	4.185	4.498	4.748	3.994	95.10	103.28	106.30	114.25	120.60	101.45
28/56	4.212	4.534	4.653	4.966	5.216	4.462	106.98	115.16	118.19	126.14	132.49	113.33
30/60	4.524	4.846	4.965	5.278	5.528	4.774	114.91	123.09	126.11	134.06	140.41	121.26
31/62	4.680	5.002	5.121	5.434	5.684	4.930	118.87	127.05	130.07	138.02	144.37	125.22
36/72	5.460	5.782	5.901	6.214	6.464	5.710	138.68	146.86	149.89	157.84	164.19	145.03
40/80	6.084	6.406	6.525	6.838	7.088	6.334	154.53	162.71	165.74	173.69	180.04	160.88
43/86	6.552	6.874	6.993	7.306	7.556	6.802	166.42	174.60	177.62	185.57	191.92	172.77

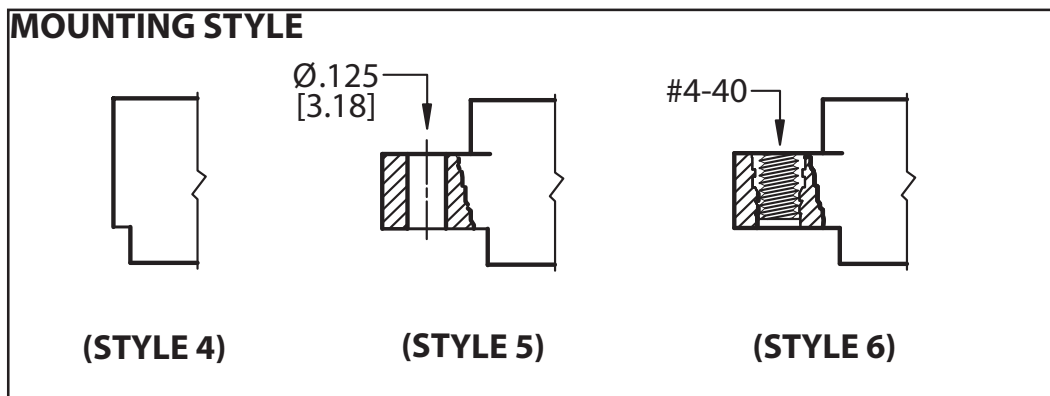
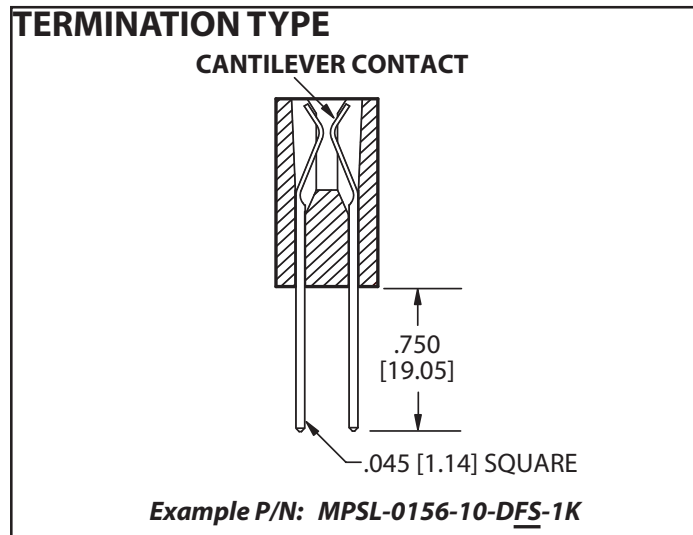
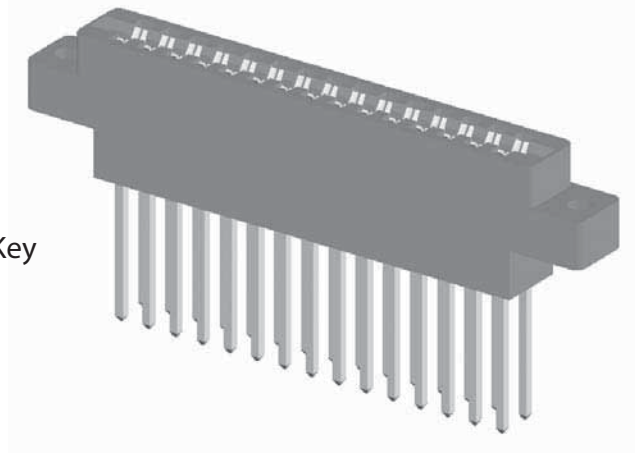
* Consult Factory for availability.



**.156" Contact Centers, .720" Insulator Height,
.045" Square Wire Wrap**

SPECIFICATIONS

- Accommodates $.062" \pm .008"$ [1.57 ± 0.20] PC Board
- Insulator Material available in PBT
- 5 Amp Current Rating per contact
- Insulator / Contact Specifications and Part Number Coding See Page 82-83
- P/N 04-0004-000 for In Between Contact Position Key See Page 126 (Sold Separately)
- Molded-in Key Available - Consult Factory





PART NUMBER CODING

MPSL - 0 156 - 10 - D FS - 4 K

PLATING - RoHS Compliant
All Platings are Lead Free and have .000050" Nickel Underplate

Contact Surface	Termination
*MPSL = .000010" Gold	.000100" Pure Tin, Matte
*MPL = .000100" Overall Pure Tin, Matte	
MP = .000010" Overall Gold	

*Requires 'K' Modification Code

INSULATOR MATERIAL**
0 = PBT

CONTACT CENTERS
156 = .156" [3.96mm]

NUMBER OF POSITIONS
Contacts Per Row (See Position Chart Below)

MODIFICATION CODE**

PLATING MODIFICATION CODE**
K = Required on MPSL or MPL Plating
Omit for MP Plating (Overall Gold)

MOUNTING STYLE (See Opposite Page)
4 = No Mounting
5 = Raised, .125" Clearance Hole
6 = Raised, #4-40 Threaded Insert

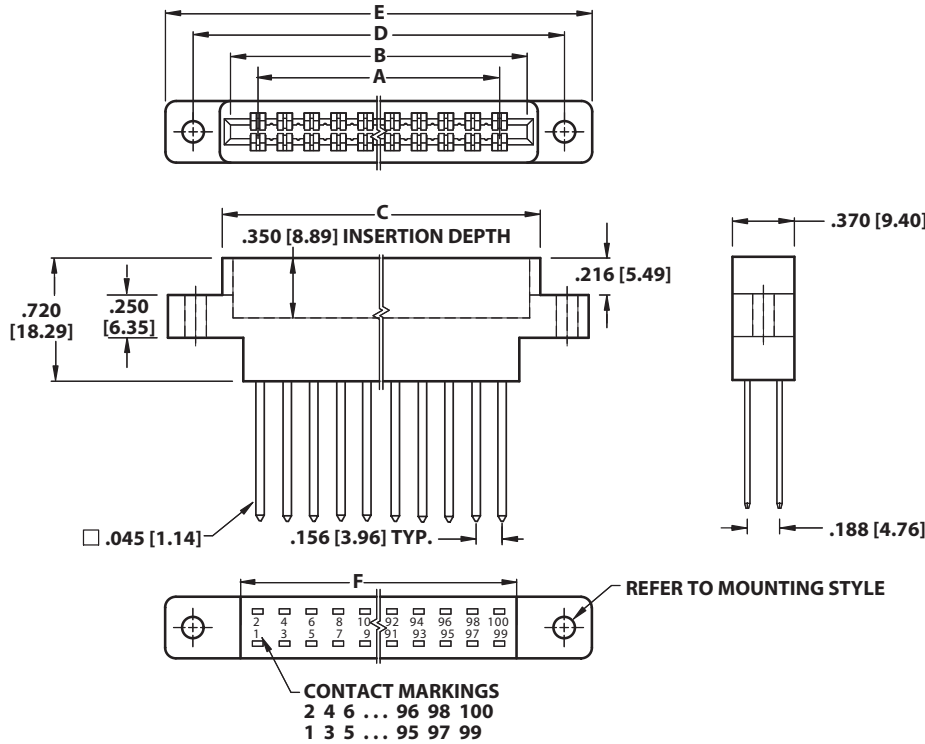
TERMINATION TYPE (See Opposite Page)
FS = .045 Square Contacts

READOUT
D = Dual

** SEE PAGES 82-83 FOR SPECIFICATIONS AND OTHER VARIATIONS

DIMENSIONS

Dimensions in [] are in millimeters, all others are in inches.



POSITIONS/ CONTACTS	INCHES						[MILLIMETERS]					
	A±.008	B±.008	C±.015	D±.010	E±.020	F±.015	A±0.20	B±0.20	C±0.38	D±0.25	E±0.51	F±0.38
10/20	1.404	1.724	1.848	2.158	2.408	1.604	35.66	43.79	46.94	54.81	61.16	40.74
12/24	1.716	2.036	2.160	2.470	2.720	1.916	43.59	51.71	54.86	62.74	69.09	48.67
15/30	2.184	2.504	2.628	2.938	3.188	2.384	55.47	63.60	66.75	74.63	80.98	60.55
18/36	2.652	2.972	3.096	3.406	3.656	2.852	67.36	75.49	78.64	86.51	92.86	72.44
22/44	3.276	3.596	3.720	4.030	4.280	3.476	83.21	91.34	94.49	102.36	108.71	88.29
25/50	3.744	4.064	4.188	4.498	4.748	3.944	95.10	103.23	106.38	114.25	120.60	100.18
28/56	4.212	4.532	4.656	4.966	5.216	4.412	106.98	115.11	118.26	126.14	132.49	112.06
30/60	4.524	4.844	4.968	5.278	5.528	4.724	114.91	123.04	126.19	134.06	140.41	119.99
36/72	5.460	5.780	5.904	6.214	6.464	5.660	138.68	146.81	149.96	157.84	164.19	143.76
43/86	6.552	6.872	6.996	7.306	7.556	6.752	166.42	174.55	177.70	185.57	191.92	171.50

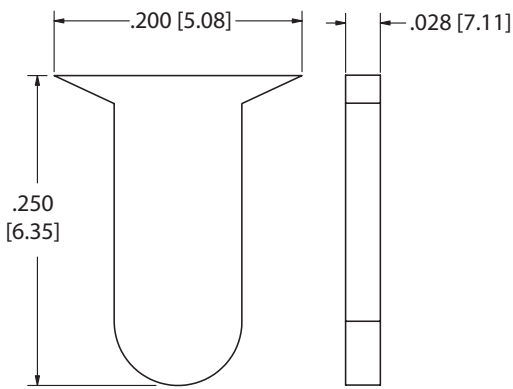
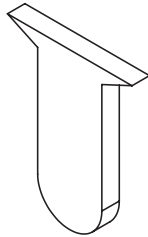


ALL KEYS ORDERED SEPARATELY

IN BETWEEN CONTACT KEY

P/N: 04-0001-000

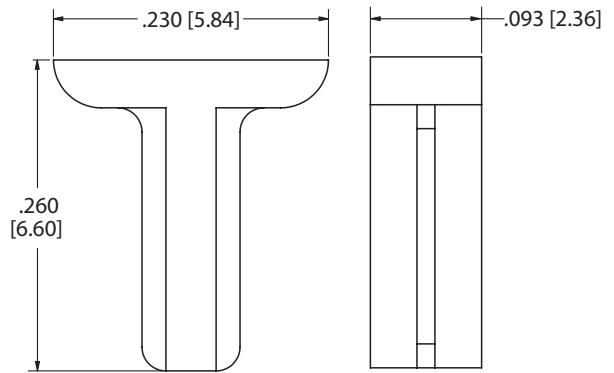
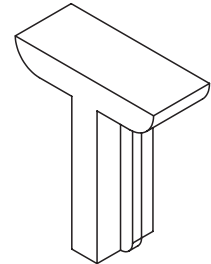
SULLINS PART: PLM-K1



IN CONTACT KEY

P/N: 04-0002-000

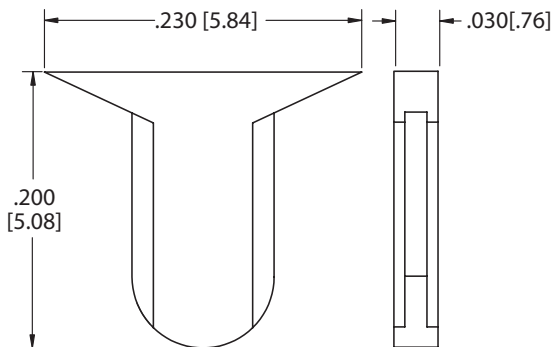
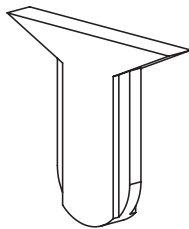
SULLINS PART: PLM-K2



IN BETWEEN CONTACT KEY

P/N: 04-0003-000

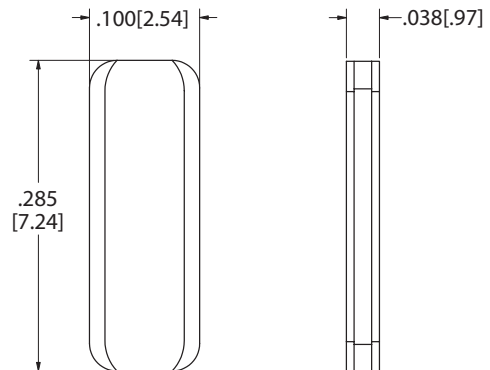
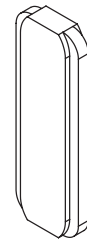
SULLINS PART: PLA-K1



IN BETWEEN CONTACT KEY

P/N: 04-0004-000

SULLINS PART: PLC-K1





Micro Plastics Part Number	Page
04-0001-000	126
04-0002-000	126
04-0003-000	126
04-0004-000	126
EMP- _ 156- _ _ -DP- _ _	116-117
EMP- _ 156- _ _ -DPE- _ _	114-115
EMPL- _ 156- _ _ -DP- _ K _	116-117
EMPL- _ 156- _ _ -DPE- _ K _	114-115
EMPSL- _ 156- _ _ -DP- _ K _	116-117
EMPSL- _ 156- _ _ -DPE- _ K _	114-115
MP- _ 100- _ _ -DP- _ _	88-89
MP- _ 100- _ _ -DR- _ _	90-91
MP- _ 100- _ _ -DS- _ _	84-85
MP- _ 100- _ _ -DS- _ X9 _	84-85
MP- _ 100- _ _ -DSE- _ _	86-87
MP- _ 100- _ _ -DW- _ _	90-91
MP- _ 100- _ _ -DW- _ R _	94-95
MP- _ 100- _ _ -DWE- _ _	92-93
MP- _ 100-18/31-DR- _ _	96-97
MP- _ 100-18/31-DW- _ _	96-97
MP- _ 125- _ _ -DP- _ _	102-103
MP- _ 125- _ _ -DR- _ _	104-105
MP- _ 125- _ _ -DS- _ _	98-99
MP- _ 125- _ _ -DS- _ X9 _	98-99
MP- _ 125- _ _ -DSE- _ _	100-101
MP- _ 125- _ _ -DW- _ _	104-105
MP- _ 125- _ _ -DW- _ R _	108-109
MP- _ 125- _ _ -DWE- _ _	106-107
MP- _ 150- _ _ -DR- _ _	110-111
MP- _ 150- _ _ -DW- _ _	110-111
MP- _ 156- _ _ -DFS- _ _	124-125
MP- _ 156- _ _ -DP- _ _	116-117
MP- _ 156- _ _ -DR- _ _	118-119
MP- _ 156- _ _ -DS- _ _	112-113
MP- _ 156- _ _ -DS- _ X9 _	112-113
MP- _ 156- _ _ -DSE- _ _	114-115
MP- _ 156- _ _ -DW- _ _	118-119
MP- _ 156- _ _ -DW- _ R _	122-123
MP- _ 156- _ _ -DWE- _ _	120-121
MPL- _ 100- _ _ -DP- _ K _	88-89
MPL- _ 100- _ _ -DR- _ K _	90-91
MPL- _ 100- _ _ -DS- _ K _	84-85
MPL- _ 100- _ _ -DS- _ X9K _	84-85
MPL- _ 100- _ _ -DSE- _ K _	86-87
MPL- _ 100- _ _ -DW- _ K _	90-91
MPL- _ 100- _ _ -DW- _ KR _	94-95
MPL- _ 100- _ _ -DWE- _ K _	92-93
MPL- _ 100-18/31-DR- _ K _	96-97
MPL- _ 100-18/31-DW- _ K _	96-97

Micro Plastics Part Number	Page
MPL- _ 125- _ _ -DP- _ K _	102-103
MPL- _ 125- _ _ -DR- _ K _	104-105
MPL- _ 125- _ _ -DS- _ K _	98-99
MPL- _ 125- _ _ -DS- _ X9K _	98-99
MPL- _ 125- _ _ -DSE- _ K _	100-101
MPL- _ 125- _ _ -DW- _ K _	104-105
MPL- _ 125- _ _ -DW- _ KR _	108-109
MPL- _ 125- _ _ -DWE- _ K _	106-107
MPL- _ 150- _ _ -DR- _ K _	110-111
MPL- _ 150- _ _ -DW- _ K _	110-111
MPL- _ 156- _ _ -DFS- _ K _	124-125
MPL- _ 156- _ _ -DP- _ K _	116-117
MPL- _ 156- _ _ -DR- _ K _	118-119
MPL- _ 156- _ _ -DS- _ K _	112-113
MPL- _ 156- _ _ -DS- _ X9K _	112-113
MPL- _ 156- _ _ -DSE- _ K _	114-115
MPL- _ 156- _ _ -DW- _ K _	118-119
MPL- _ 156- _ _ -DW- _ KR _	122-123
MPL- _ 156- _ _ -DWE- _ K _	120-121
MPSL- _ 100- _ _ -DR- _ K _	90-91
MPSL- _ 100- _ _ -DS- _ K _	84-85
MPSL- _ 100- _ _ -DS- _ X9K _	84-85
MPSL- _ 100- _ _ -DSE- _ K _	86-87
MPSL- _ 100- _ _ -DW- _ K _	90-91
MPSL- _ 100- _ _ -DW- _ KR _	94-95
MPSL- _ 100- _ _ -DWE- _ K _	92-93
MPSL- _ 100-18/31-DR- _ K _	96-97
MPSL- _ 100-18/31-DW- _ K _	96-97
MPSL- _ 125- _ _ -DR- _ K _	104-105
MPSL- _ 125- _ _ -DS- _ K _	98-99
MPSL- _ 125- _ _ -DS- _ X9K _	98-99
MPSL- _ 125- _ _ -DSE- _ K _	100-101
MPSL- _ 125- _ _ -DW- _ K _	104-105
MPSL- _ 125- _ _ -DW- _ KR _	108-109
MPSL- _ 125- _ _ -DWE- _ K _	106-107
MPSL- _ 150- _ _ -DR- _ K _	110-111
MPSL- _ 150- _ _ -DW- _ K _	110-111
MPSL- _ 156- _ _ -DFS- _ K _	124-125
MPSL- _ 156- _ _ -DR- _ K _	118-119
MPSL- _ 156- _ _ -DS- _ X9K _	112-113
MPSL- _ 156- _ _ -DS- _ K _	112-113
MPSL- _ 156- _ _ -DSE- _ K _	114-115
MPSL- _ 156- _ _ -DW- _ K _	118-119
MPSL- _ 156- _ _ -DW- _ KR _	122-123
MPSL- _ 156- _ _ -DWE- _ K _	120-121