

THE INFORMATION CONTAINED HEREIN IS CONSIDERED "PROPRIETARY" TO BEL FUSE INC. AND SHALL NOT BE COPIED, REPRODUCED OR DISCLOSED WITHOUT THE WRITTEN APPROVAL OF BEL FUSE INC.

RoHS



SCHEMATIC

LED1 POLARITY			LED2 POLARITY		
PIN 15	PIN 16	COLOR	PIN 17	PIN 18	COLOR
-	+	YELLOW	+	-	ORANGE
/	/	/	-	+	GREEN

ELECTRICAL CHARACTERISTICS @ 25°C

URNS RATIO

TP1	1CT : 1CT ±2%
TP2	1CT : 1CT ±2%
TP3	1CT : 1CT ±2%
TP4	1CT : 1CT ±2%

DCL @ 100kHz/100mVRMS

8mA DC BIAS 350µH MIN.

INS. LOSS

0.1MHz TO 1MHz	-1.1 dB MAX
1MHz TO 65MHz	-0.5 dB MAX
65MHz TO 100MHz	-0.8 dB MAX
100MHz TO 125MHz	-1.2 dB MAX

RET. LOSS (MIN)

0.5MHz-40MHz	-18 dB
40MHz-100MHz	-12+20LOG(f/80MHz) dB

CROSS TALK

1MHz - 60MHz	-35dB MIN
60MHz - 100MHz	-25dB MIN

CM TO CM REJ

100kHz - 100MHz -30 dB MIN

CM TO DM REJ

100kHz - 100MHz -35 dB MIN

HIPOT (Isolation Voltage): 1500 Vrms or 2250VDC

100% OF PRODUCTION TESTED TO COMPLY WITH IEEE 802.3 ISOLATION REQUIREMENTS.

LED 1

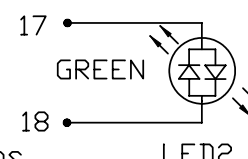
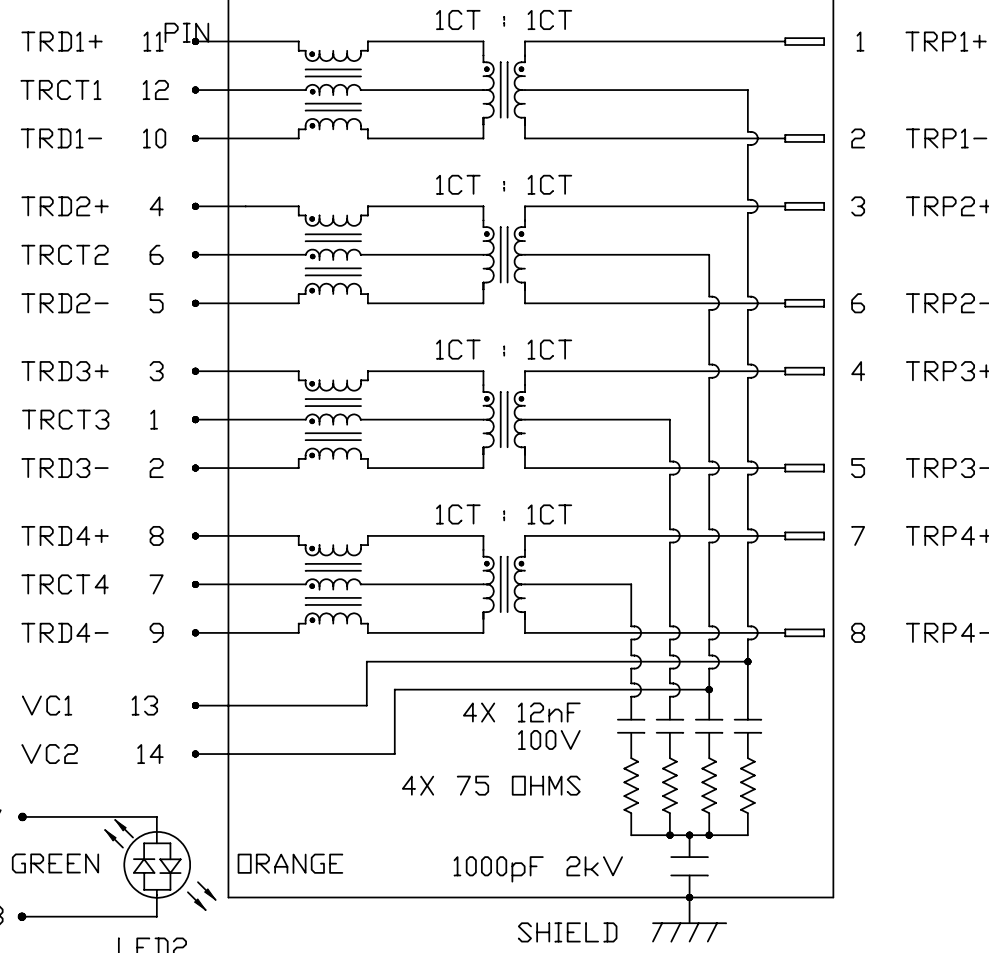
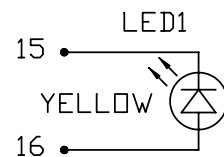
VF (FORWARD VOLTAGE) IF=20mA YELLOW 2.1V TYP.
 λD (DOMINANT WAVELENGTH) IF=20mA YELLOW 590nm TYP.

LED 2

VF (FORWARD VOLTAGE) IF=20mA GREEN 2.2V TYP.
 ORANGE 2.0V TYP.
 λD (DOMINANT WAVELENGTH) IF=20mA GREEN 565nm TYP.
 ORANGE 610nm TYP.

BALANCED DC LINE CURRENT 350 mA MAX. @ 57 VDC CONTINUOUS

500 mA MAX. @ 57 VDC FOR 200 MILLISECONDS



ORIGINATED BY	DATE
CHOW WANCHUNG	2012-08-09
DRAWN BY	DATE
TAN QIGUANG	2012-08-09

TITLE	gigabit MagJack® VOIP
PART NO. / DRAWING NO.	08261X1T80-F
FILE NAME	08261X1T80-F_D.DWG
	PATENTED

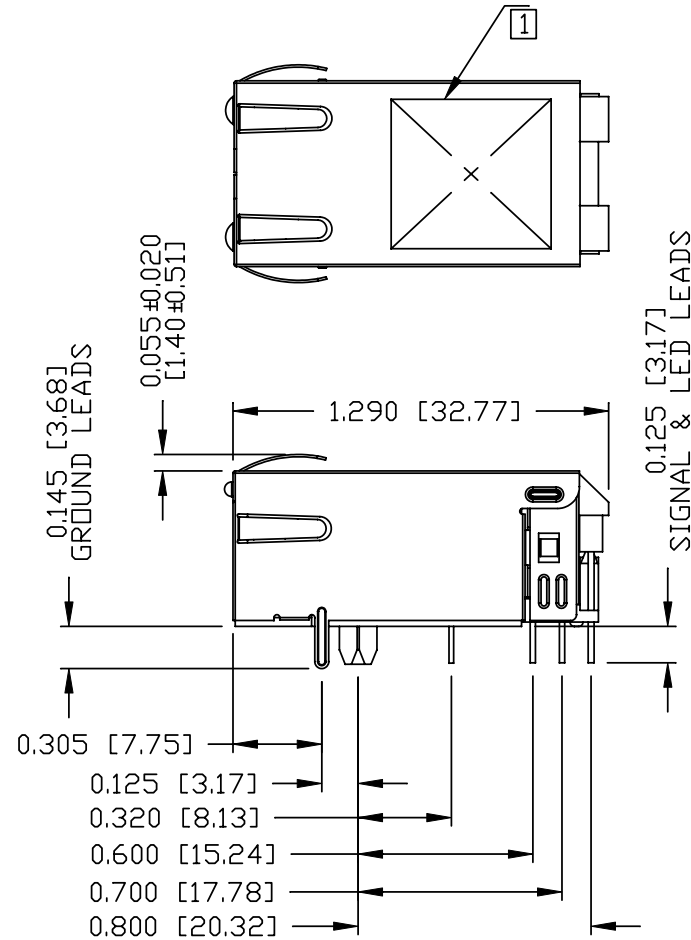
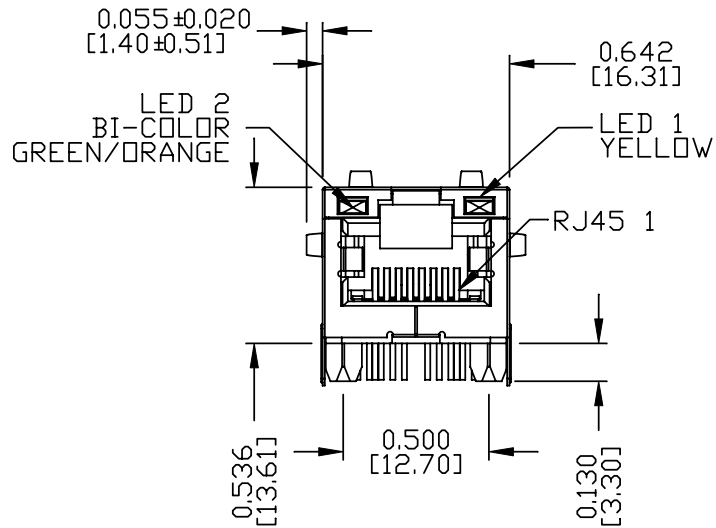
STANDARD DIM.	[] METRIC DIM. AS REFERENCE
TOL. IN INCH	UNIT : INCH [mm] REV. : D
.X	SCALE : N/A SIZE : A4
.XX	⊕ PAGE : 2
.XXX	



THE INFORMATION CONTAINED HEREIN IS CONSIDERED "PROPRIETARY" TO BEL FUSE INC. AND SHALL NOT BE COPIED, REPRODUCED OR DISCLOSED WITHOUT THE WRITTEN APPROVAL OF BEL FUSE INC.

MECHANICAL SPECIFICATION

RoHS



NOTES:

- PLASTIC HOUSING: THERMOPLASTIC PA
FLAMMABILITY RATING UL 94V-0
- CONTACTS: 50 MICRO-INCH HARD GOLD PLATING OR EQUIVALENT.
- OUTPUT PINS: TIN-COATED COPPER WIRE, DIA 0.016 AND DIA 0.018 INCH.
- METAL SHIELD: NICKEL PLATED ON COPPER ALLOY.
(ALL GROUND LEADS ARE SOLDER DIPPED)

[1] MARK PART WITH MFG LOGO, MFG NAME, PART NUMBER, DATE CODE AND PATENTED.

- 1. THE PRODUCT IS UL RECOGNIZED - FILE #E196366 AND E169987.
- 2. THE PRODUCT IS RoHS COMPLIANT.
- 3. THE PRODUCT IS PATENTED. THE PATENT NUMBER ARE U.S. PAT. 5,736,910 AND U.S. PAT. 7,123,117.

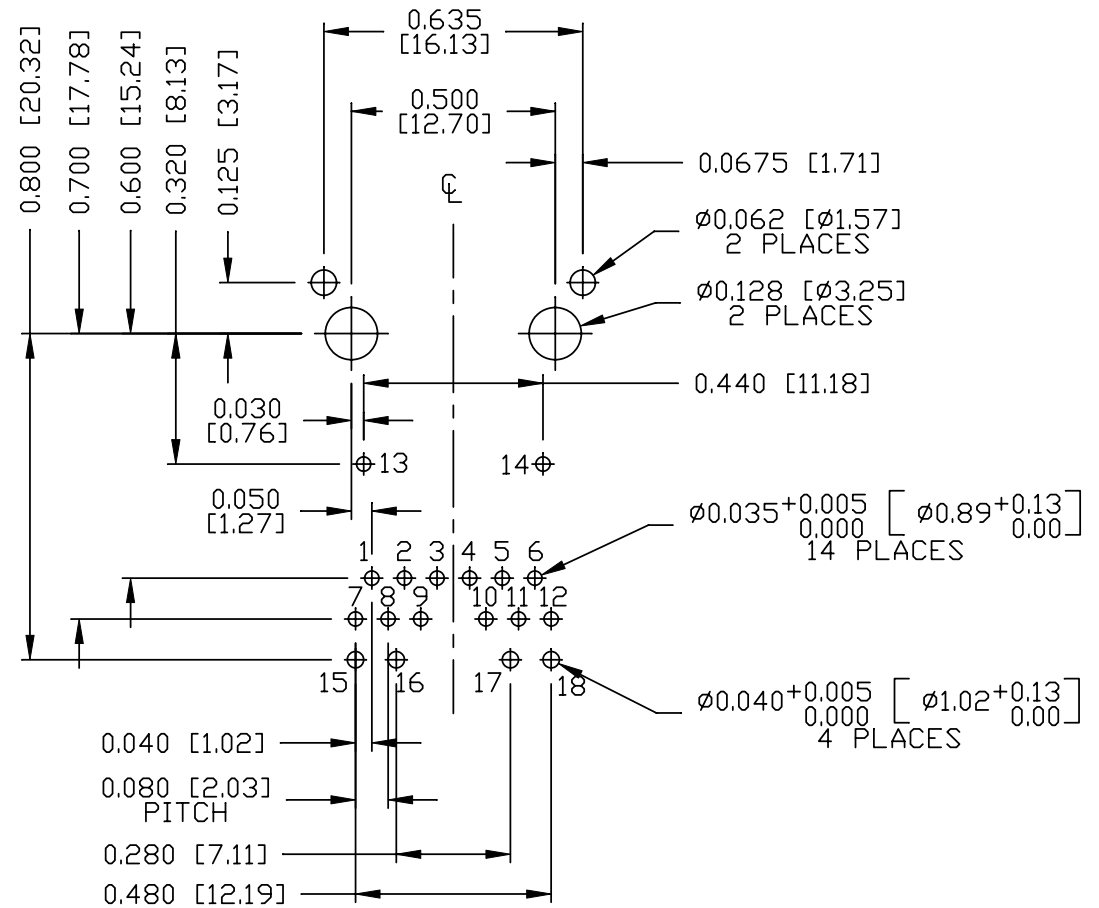
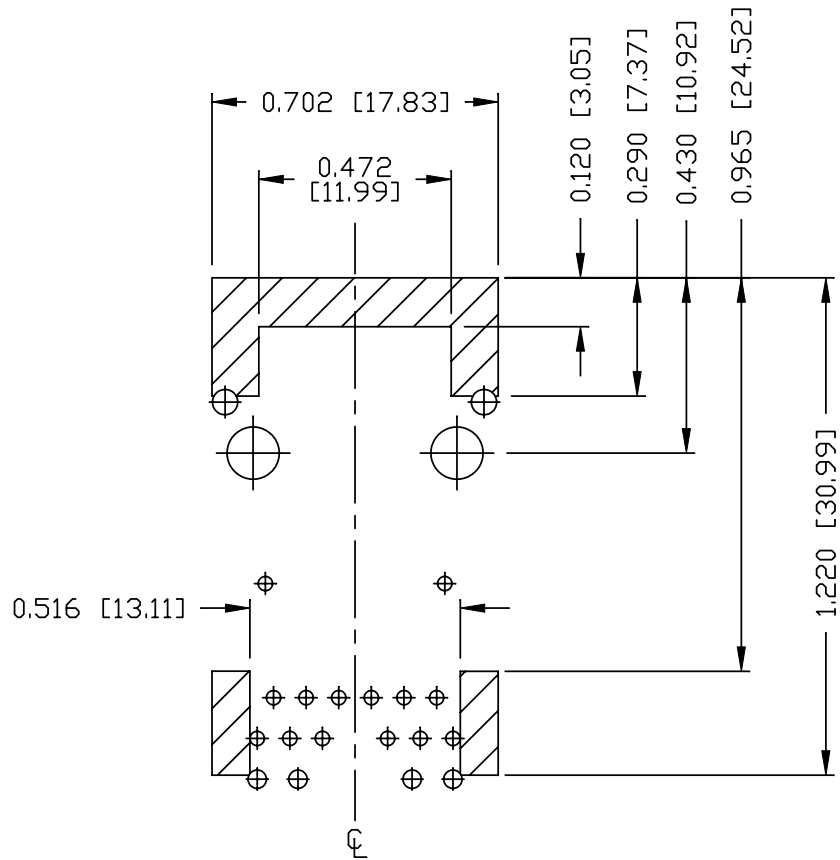
ORIGINATED BY ANTON LIAO	DATE 2012-08-09	TITLE gigabit MagJack® VOIP	PART NO. / DRAWING NO. 08261X1T80-F	STANDARD DIM. TOL. IN INCH	[] METRIC DIM. AS REFERENCE	 COMPONENTS FOR A CONNECTED PLANET
DRAWN BY HE ZHEN	DATE 2012-08-09	0826-1X1T-80-F PATENTED	FILE NAME 08261X1T80-F_D.DWG	.X	UNIT : INCH [mm] REV. : D	
				.XX	SCALE : N/A SIZE : A4	
				.XXX ±0.010	PAGE : 3	

THE INFORMATION CONTAINED HEREIN IS CONSIDERED "PROPRIETARY" TO BEL FUSE INC. AND SHALL NOT BE COPIED, REPRODUCED OR DISCLOSED WITHOUT THE WRITTEN APPROVAL OF BEL FUSE INC.

RoHS



RECOMMENDED PCB FOOTPRINT
COMPONENT SIDE VIEW



NOTES

THE SHADED AREA ON THE CUSTOMER BOARD ARE RECOMMENDED TO BE CLEAR OFF ANY VIA HOLE OR COMPONENT PAD.

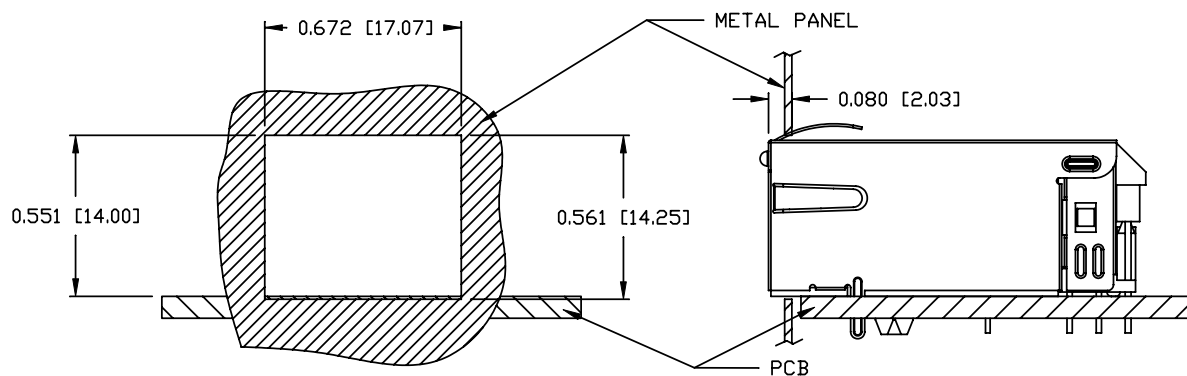
ORIGINATED BY ANTON LIAO	DATE 2012-08-09	TITLE gigabit MagJack® VOIP	PART NO. / DRAWING NO. 08261X1T80-F	STANDARD DIM. TOL. IN INCH	[] METRIC DIM. AS REFERENCE	 COMPONENTS FOR A CONNECTED PLANET	
DRAWN BY HE ZHEN	DATE 2012-08-09	0826-1X1T-80-F PATENTED	FILE NAME 08261X1T80-F_D.DWG	.X	UNIT : INCH [mm]		REV. : D
				.XX	SCALE : N/A		SIZE : A4
				.XXX	± 0.004		PAGE : 4

THE INFORMATION CONTAINED HEREIN IS CONSIDERED 'PROPRIETARY' TO BEL FUSE INC. AND SHALL NOT BE COPIED, REPRODUCED OR DISCLOSED WITHOUT THE WRITTEN APPROVAL OF BEL FUSE INC.

RoHS



SUGGESTED PANEL OPENING



NOTE:

THE DISTANCE OF PANEL INSIDE SURFACE RELATIVE TO FRONT SURFACE OF PART IS ONLY A SUGGESTION. IN CASE THIS DISTANCE IS DIFFERENT, THE REQUIRED PANEL OPENING DIMENSIONS CHANGE ACCORDINGLY.

PACKING INFORMATION

PACKING TRAY : 0200-9999-F6 (TOP)
0200-9999-F7 (BOTTOM)

PACKING QUANTITY : 40 PCS FINISHED GOODS PER TRAY
10 TRAYS (400 PCS FINISHED GOODS) PER CARTON BOX

NOTE : CARDBOARDS ARE PLACED BETWEEN LAYERS OF PACKING TRAY INSIDE CARTON BOX
(INCLUDE THE UPPERMOST AND LOWERMOST TRAY)

ORIGINATED BY ANTON LIAO	DATE 2012-08-09	TITLE gigabit MagJack® VOIP 0826-1X1T-80-F PATENTED	PART NO. / DRAWING NO. 08261X1T80-F	STANDARD DIM. TOL. IN INCH	[] METRIC DIM. AS REFERENCE	
	DRAWN BY HE ZHEN		DATE 2012-08-09	FILE NAME 08261X1T80-F_D.DWG	.X .XX .XXX	±0.004

