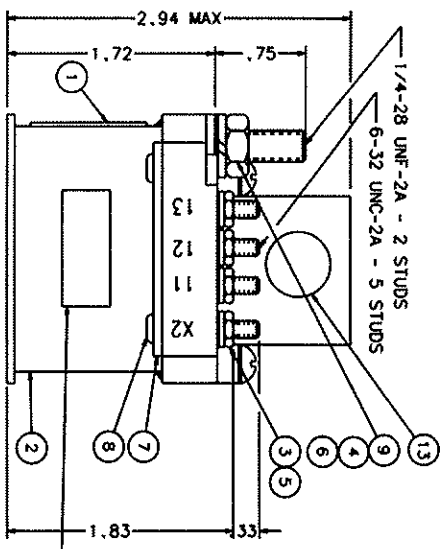
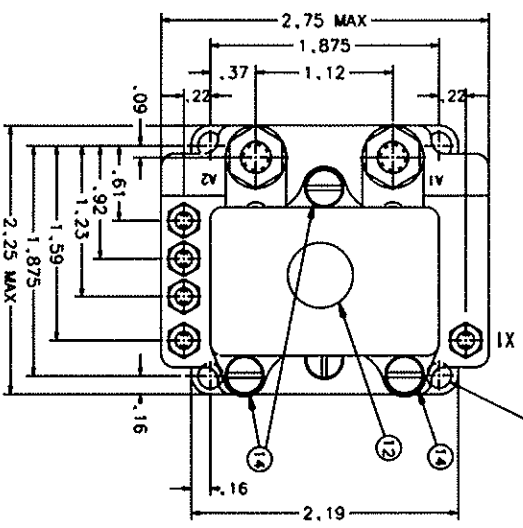


# FAA-PMA

.203 DIA HOLE  
4 MTG HOLES  
SEE NOTE 5



### CONSTRUCTION

### MAIN CONTACTS

CONFIGURATION  
VOLTAGE (NOM.)  
CURRENT RES.

### AUXILIARY CONTACTS

CONFIGURATION  
VOLTAGE  
CURRENT RES.

### COIL DATA

MAX OPERATE  
MIN OPERATE  
PICKUP AT 25°C  
DROPOUT  
RES AT 25°C  
DUTY CYCLE

### ENVIRONMENTAL DATA

AMBIENT TEMP  
VIBRATION  
LIFE ELECTRICAL  
LIFE MECHANICAL  
WEIGHT MAX (EST)

### GASKET SEALED, SILASTIC SEALED

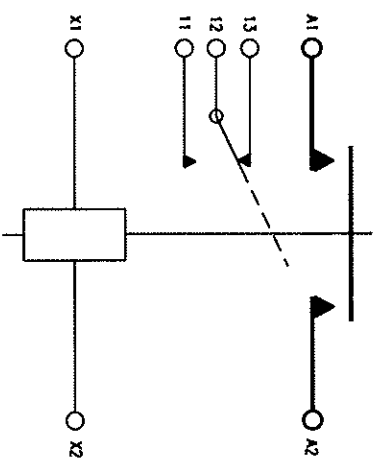
### SPST N.O.

28 VDC  
100 AMP

### SPDT

28 VDC  
5 A

32 VDC  
24 VDC  
16.5 V MAX.  
1 TO 7 VDC  
70 OHM ±20%  
CONTINUOUS



REV	DESCRIPTION	DATE	APPROVED
K	31478 ADDED NOTE 4	96/11/13	RS
L	39029 QTY. OF ITEM 12 WAS 1. QTY. OF ITEM 13 WAS 4	99/03/19	RS
M	42105 FIND 11 WAS 39529-055. NOTE 5 ADDED	00/03/31	RS
N	42727 UPDATED VIEW OF COVER BRIDGE AND NOTE 3	00/06/22	CC
P	43913 RELOCATED 1.83 DIA TO TOP OF NUT	01/01/19	CC
R	6471-04 ITEM 1 WAS 41695-001. REMOVED ITEM 11	04/06/01	CC

- NOTES:
- THIS UNIT MEETS THE MATERIAL AND WORKMANSHIP REQUIREMENTS OF MIL-R-6106.
  - TERMINALS A1 AND A2 ARE STAINLESS STEEL. AUXILIARY AND COIL TERMINALS ARE BRASS. ALL TERMINALS AND TERMINAL HARDWARE ARE SILVER PLATED.
  - RELAY BODY CONSTRUCTED OF MAGNETIC IRON AND PAINTED WITH BLACK LAQUER. TERMINAL INSULATION MATERIAL AND COVER BRIDGE ARE MINERAL GLASS POLYESTER PER ASTM D5948.
  - FAA/PMA PLATE (AND OVERLAY) NOT REQUIRED ON UNITS SUPPLIED TO ORIGINAL EQUIPMENT MANUFACTURERS.
  - PAINT REMOVED FROM 2 OPPOSITE MTG HOLES, TOP & BOTTOM, FOR GROUNDING PURPOSES.

NO	QTY	IDENTIFYING NO	PART OR IDENTIFYING NO	NONCALTURE OR DESCRIPTION	DRAWING OR SPECIFICATION	MATERIAL OR NOTE
15	1		39529-024	OVERLAY - FAA/PMA		
14	AR		54102-001	GLYPHOL		
13	2		57300-032	BLACK VINYL MARKING #4072V		
12	4		57200-038	BLACK VINYL MARKING #4112V		
10	1		58400-001	PLATE - FAA/PMA		
9	2		51703-064	WASHER 1/2x17/64x.032		BRASS
8	4		51200-020	SCREW PAN HD No. 4 x 1/4	SHEET METAL	S.S.
7	2		34290-001	PLATE - COVER		
6	2		51807-034	WASHER LOCK 1/4 SPLIT		BRONZE
5	2		51806-014	WASHER LOCK No. 6 SPLIT		BRONZE
4	2		50407-364	NUT, HEX 1/4-20x7/16x3/16		BRASS
3	5		50406-014	NUT, HEX 6-32x3/16x5/64		BRASS
2	1		36281-010	CONTACTOR ASSEMBLY-PRIMARY		
1	1		47618-002	PLATE - NAME		

UNLESS OTHERWISE SPECIFIED DIMENSIONS ARE IN INCHES  
10 EDWARDS DR

DR BY: CSC 01/02/13  
CHK BY: CC 01/02/13  
ENGR: JL 01/02/14  
MFG: NH 01/02/15

SCALE: NONE SHEET

74063

REF TYCO P/N 0-1616055-3

**Raytheon Electronics**  
175 N. DIAMOND STREET WASHINGTON, OHIO 43082

CONTACTOR - S.P.S.T. N.O.  
100 AMP, 28 VDC

DWG NO. A-1077DD