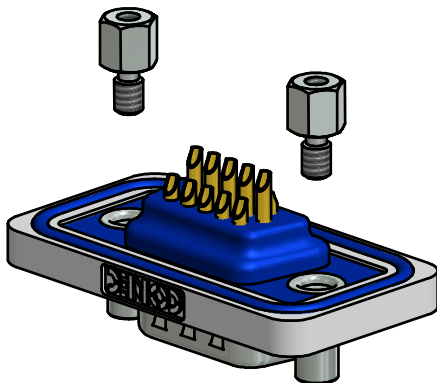
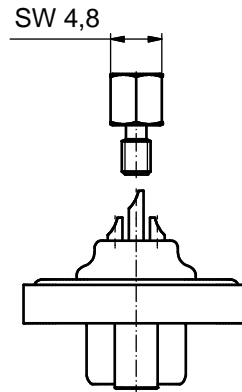
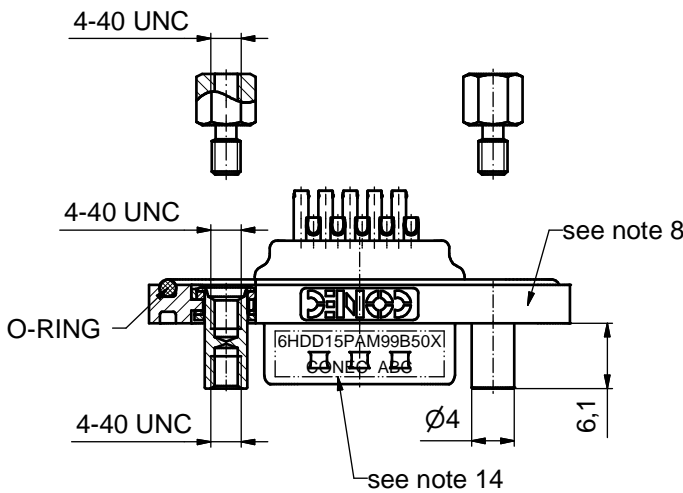
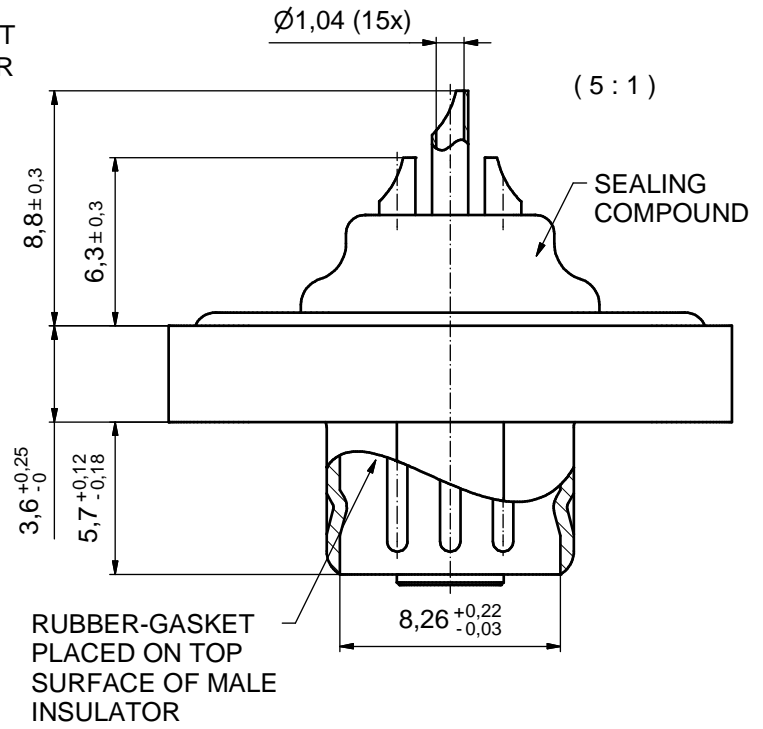
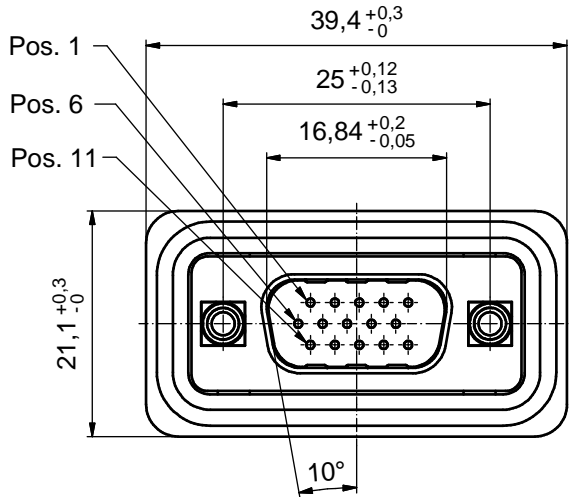


AT ALL TIMES WATER RESISTANT CONNECTORS NOT IN USE SHOULD BE COVERED WITH A CONEC WATER RESISTANT CAP OR WATER TIGHT HOOD.



**NOTES:**

1. RECOMMENDED SOLDER INSTRUCTION SEE SHEET 2
2. METALSHIELDS: COPPER ALLOY; min. 315µm TIN over 40-80µm NICKEL
3. INSULATORS: PBT GF UL 94 V-0; BLACK
4. CONTACTS: COPPER ALLOY  
PLATING: GOLD FLASH over NICKEL  
SOLDER CUP ACCEPTS CABLE AWG 22
5. THREADED LOCKS: COPPER ALLOY; min. 200µm TIN over 80µm NICKEL
6. COLLARS: COPPER ALLOY; min. 200µm TIN over 80µm NICKEL
7. HEXLOCKING SCREWS: STAINLESS STEEL
8. FRAME: ZINC DIE CAST; NICKEL PLATED
9. O-RING: SILICONE; BLUE
10. RUBBER GASKET: TPE; BLACK
11. SEALING COMPOUND: PUR; BLUE
12. RECOMMENDED PANEL CUT-OUT ON SHEET 2
13. RECOMMENDED TORQUE FOR MOUNTING SCREW 35Ncm (3.1 in.LB) / max. 40Ncm (3.5 in.LB)
14. CONNECTOR IS PART MARKED: 6HDD15PAM99B50X. CONEC. ABC

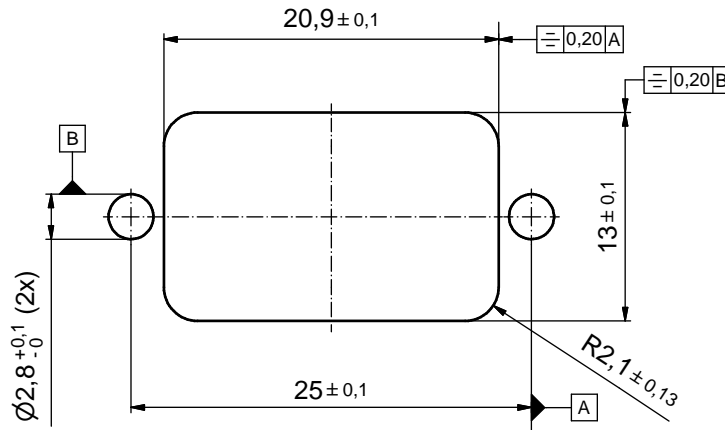
Directive 2002/95/EC RoHS compliant

THIS DRAWING MAY NOT BE COPIED OR REPRODUCED IN ANY WAY, AND MAY NOT BE PASSED ON TO A THIRD PARTY WITHOUT WRITTEN PERMISSION. OWNERSHIP AND COPYRIGHT OF CONEC GmbH DO NOT ALTER CAD DRAWING BY HAND	tolerance		dim. in mm	scale: 2:1 (5:1)		
				material: see notes		
	date	name		title: <b>D-SUB HD MALE</b> 15pos. SOLDER CUP with threaded lock and hexlocking screw		
	drawn	04.02.11	Schmidt			
appd.	07.02.11	Fischer				
norm			dwg no:			
d-old			15K1A789			
a	Origin					
rev.	description	date	name	part no: 6HDD15PAM99B50X		
					DIN-A3	
					sh: 1	

## Solder Instruction

1. Cable should be prepared for soldering. The cable/wires must be pretinned.
2. Insert cable/wire into solder cup.
3. Operate the soldering iron at 350°C, 50 Watt max . and use a pencil tip.
4. Put tip to wire in solder cup.
5. After 1 second bring in solder.
6. Heat for 3 seconds longer. Do not heat contact more than 4 seconds in total.
7. Remove soldering iron.
8. Wait until solder gets rigid again.
9. Do not solder adjacent contacts consecutively, alternate position within the connector to minimize heat build up.

## RECOMMENDED PANEL CUT-OUT



THIS DRAWING MAY NOT BE COPIED OR REPRODUCED IN ANY WAY, AND MAY NOT BE PASSED ON TO A THIRD PARTY WITHOUT WRITTEN PERMISSION. OWNERSHIP AND COPYRIGHT OF CONEC GmbH DO NOT ALTER CAD DRAWING BY HAND				tolerance		scale: 3:1
				date	name	material: see sheet 1
				drawn	04.02.11	Schmidt
				appd.	07.02.11	Fischer
				norm		
			d-old			
a	Origin				<b>CONEC</b> <sup>®</sup>	title: RECOMMENDED PANEL CUT-OUT D-SUB HD MALE 15pos. SOLDER CUP with threaded lock and hexlocking screw
rev.	description	date	name	dwg no: 15K1A789		DIN-A3 sh: 2
					part no: see sheet 1	