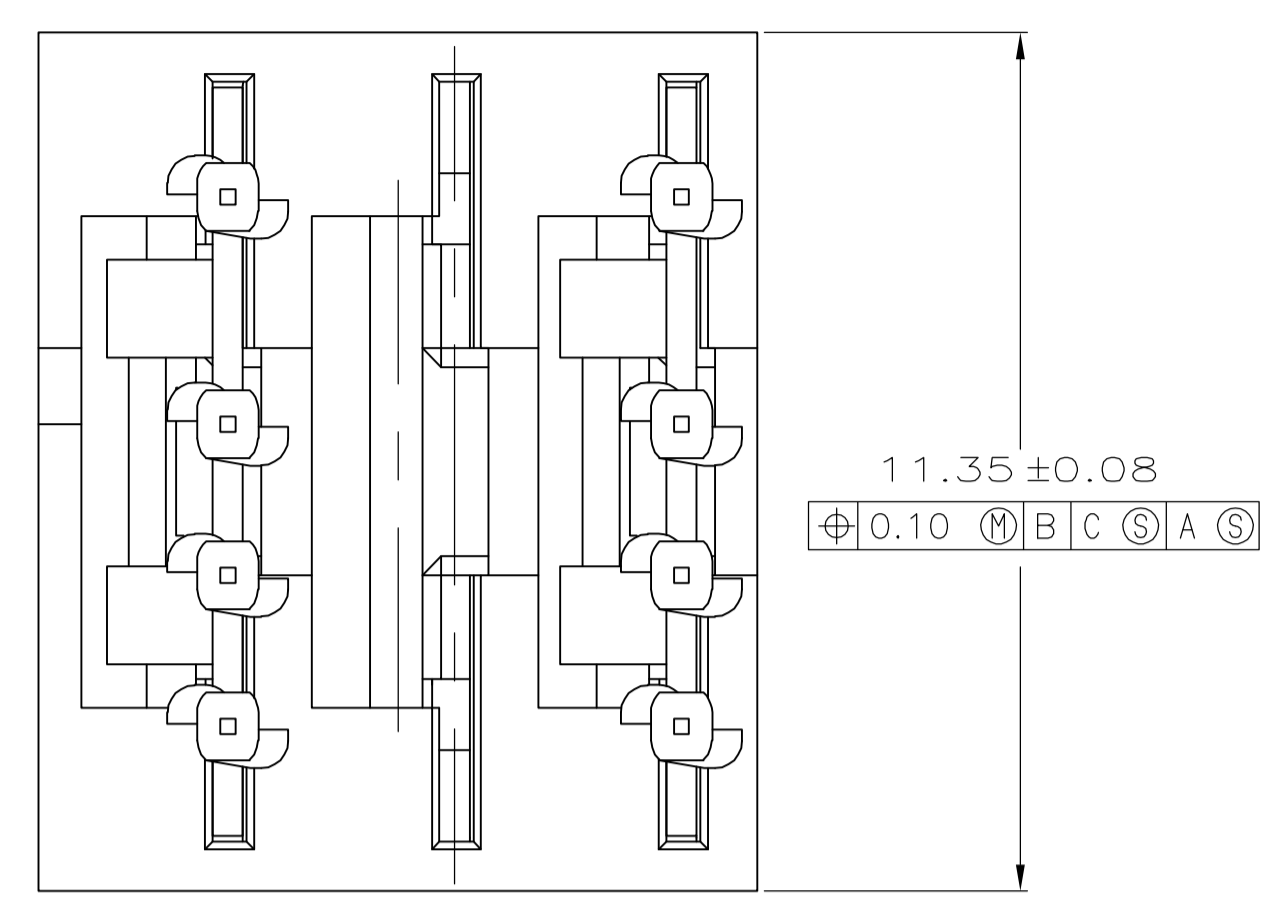
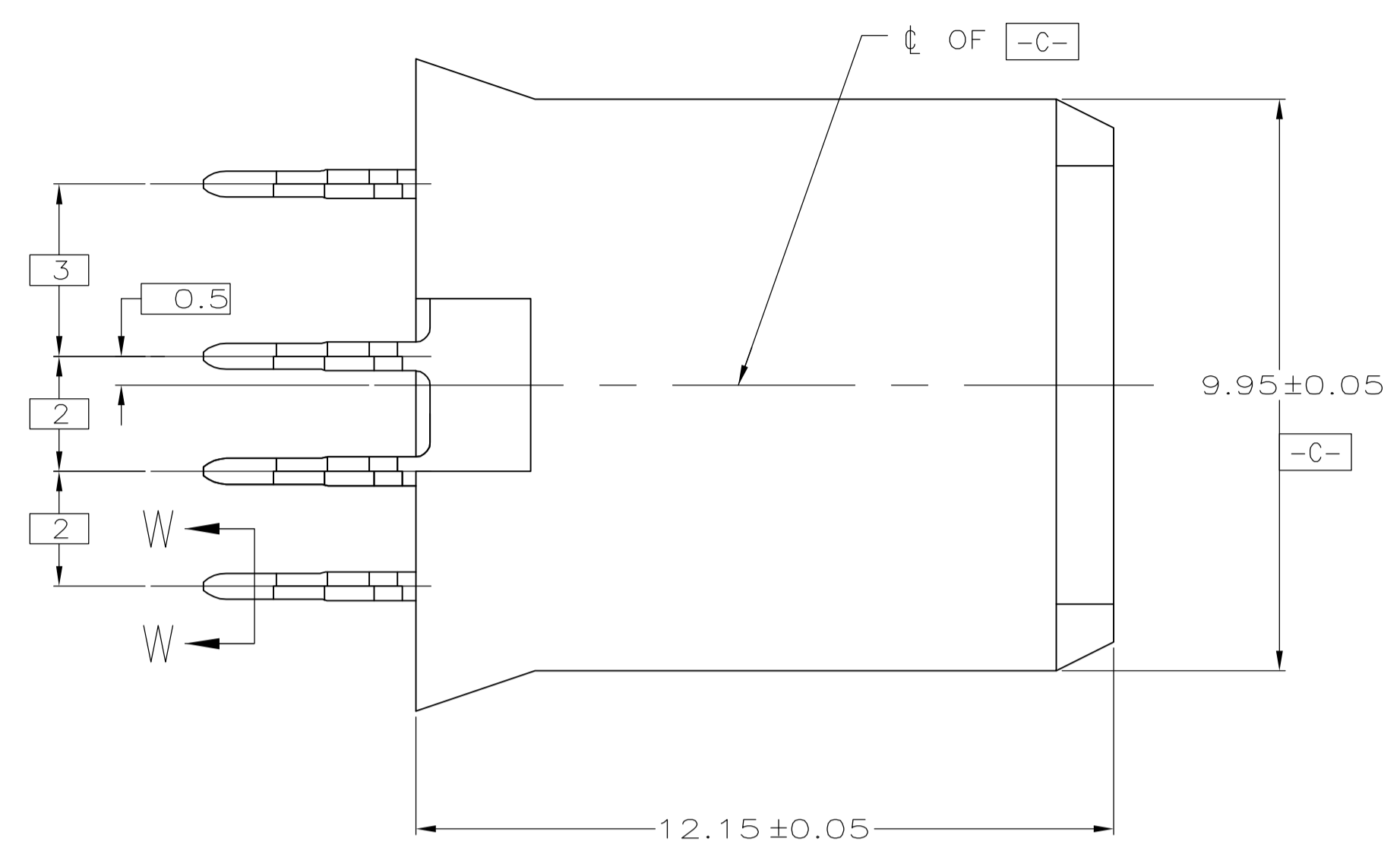


LOC		DIST		REVISIONS			
AD	00	REV	PER	DESCRIPTION	DATE	DWN	APVD
01	REV PER	ECO-07-002646			02MAR2007	BC	RP

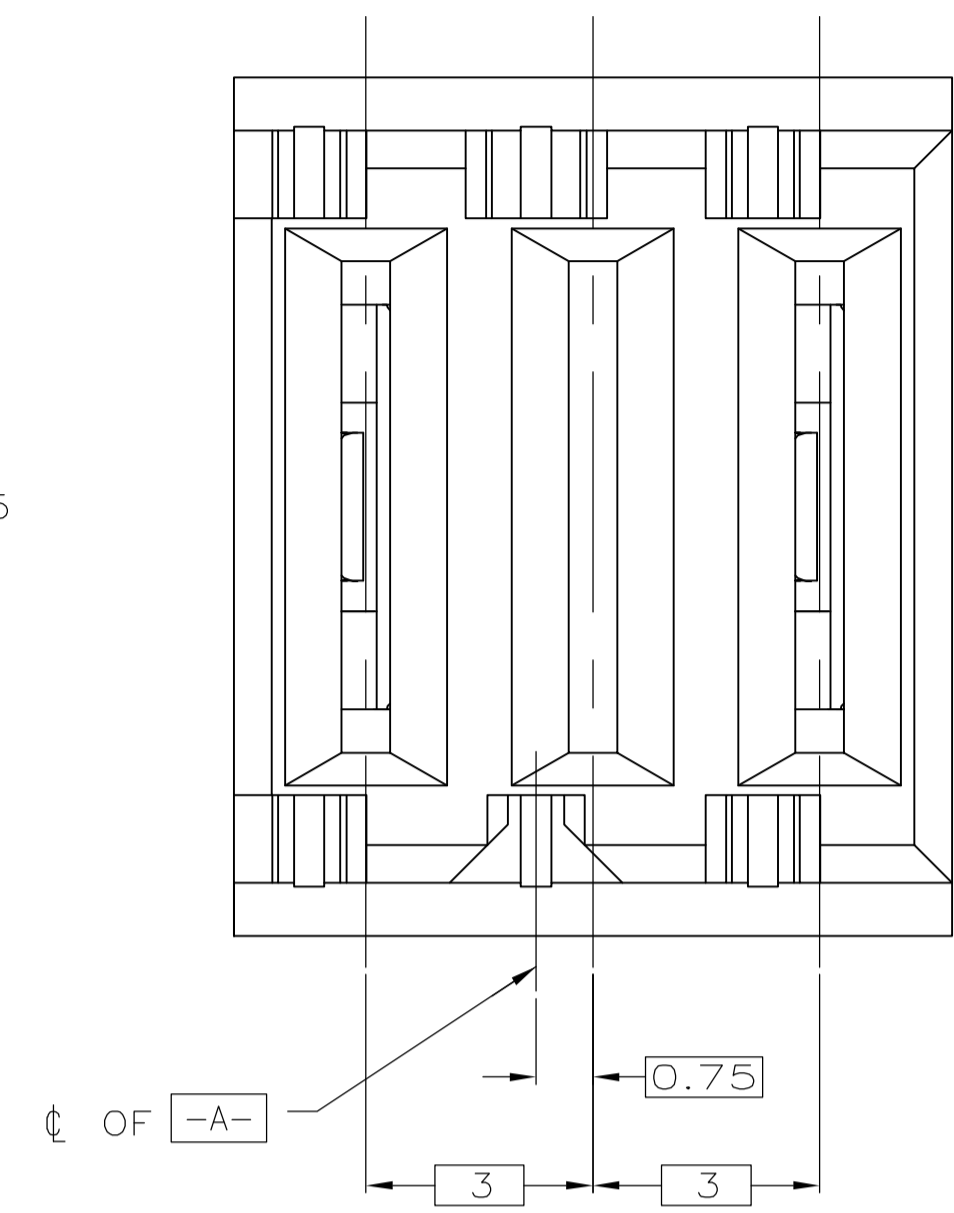


11.35 ± 0.08
 ⌀ 0.10 (M) B C (S) A (S)



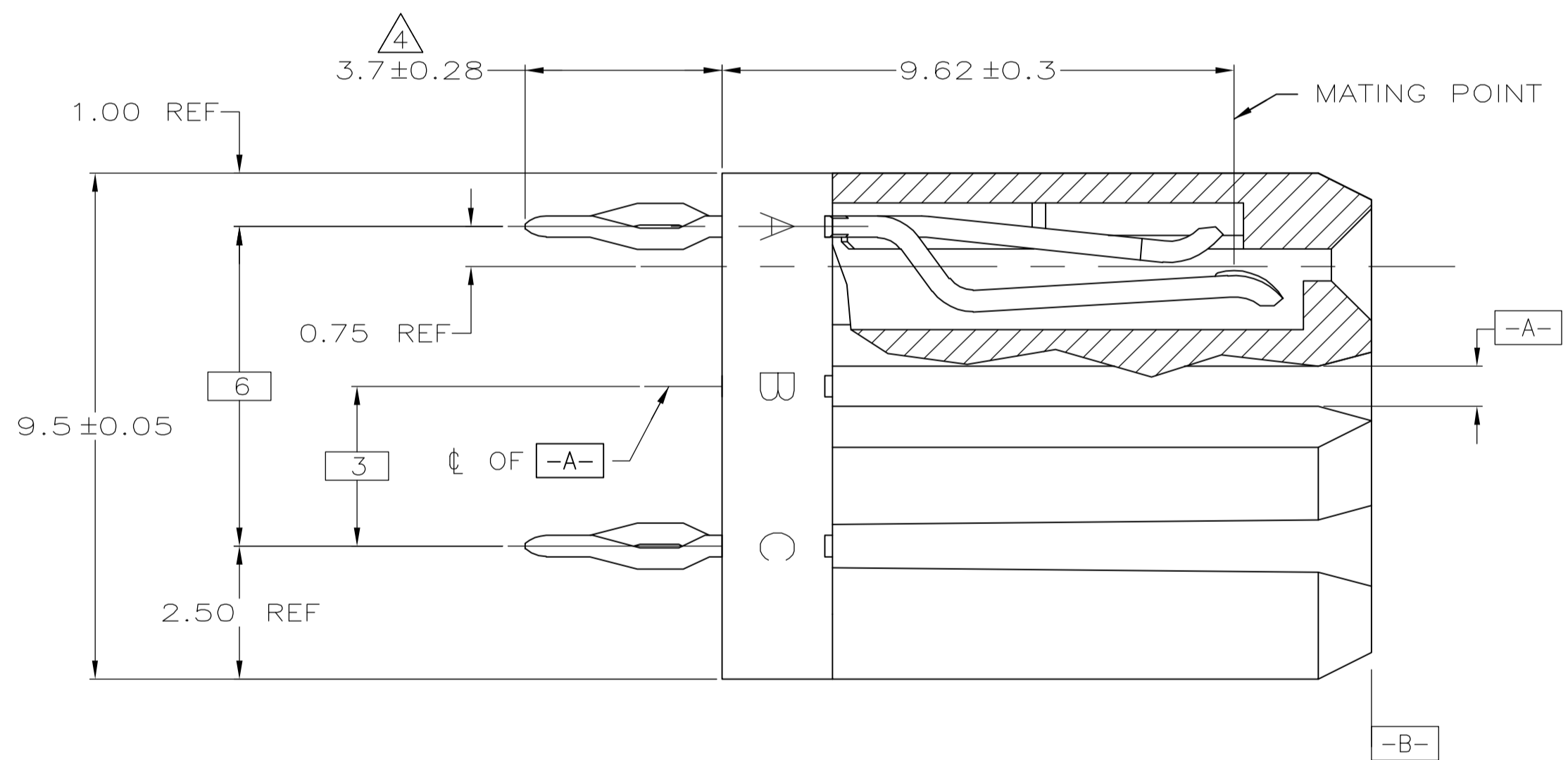
9.95 ± 0.05

12.15 ± 0.05



⌀ OF -A-

0.75



1.00 REF

3.7 ± 0.28

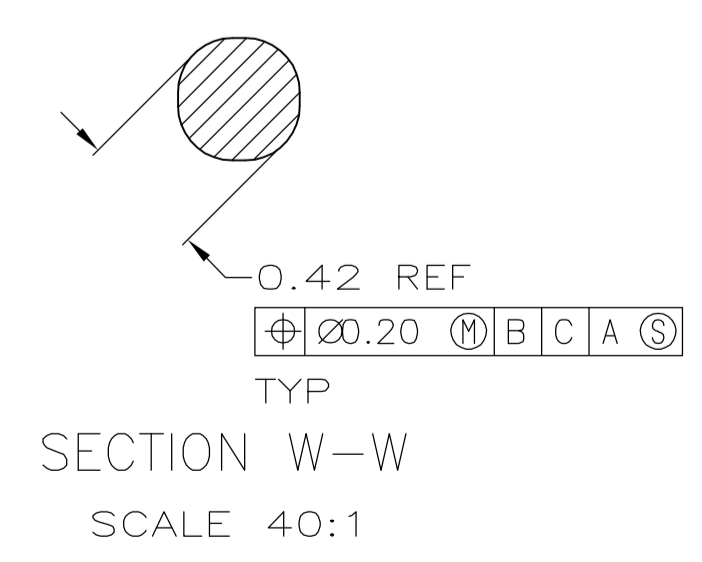
9.62 ± 0.3

MATING POINT

9.5 ± 0.05

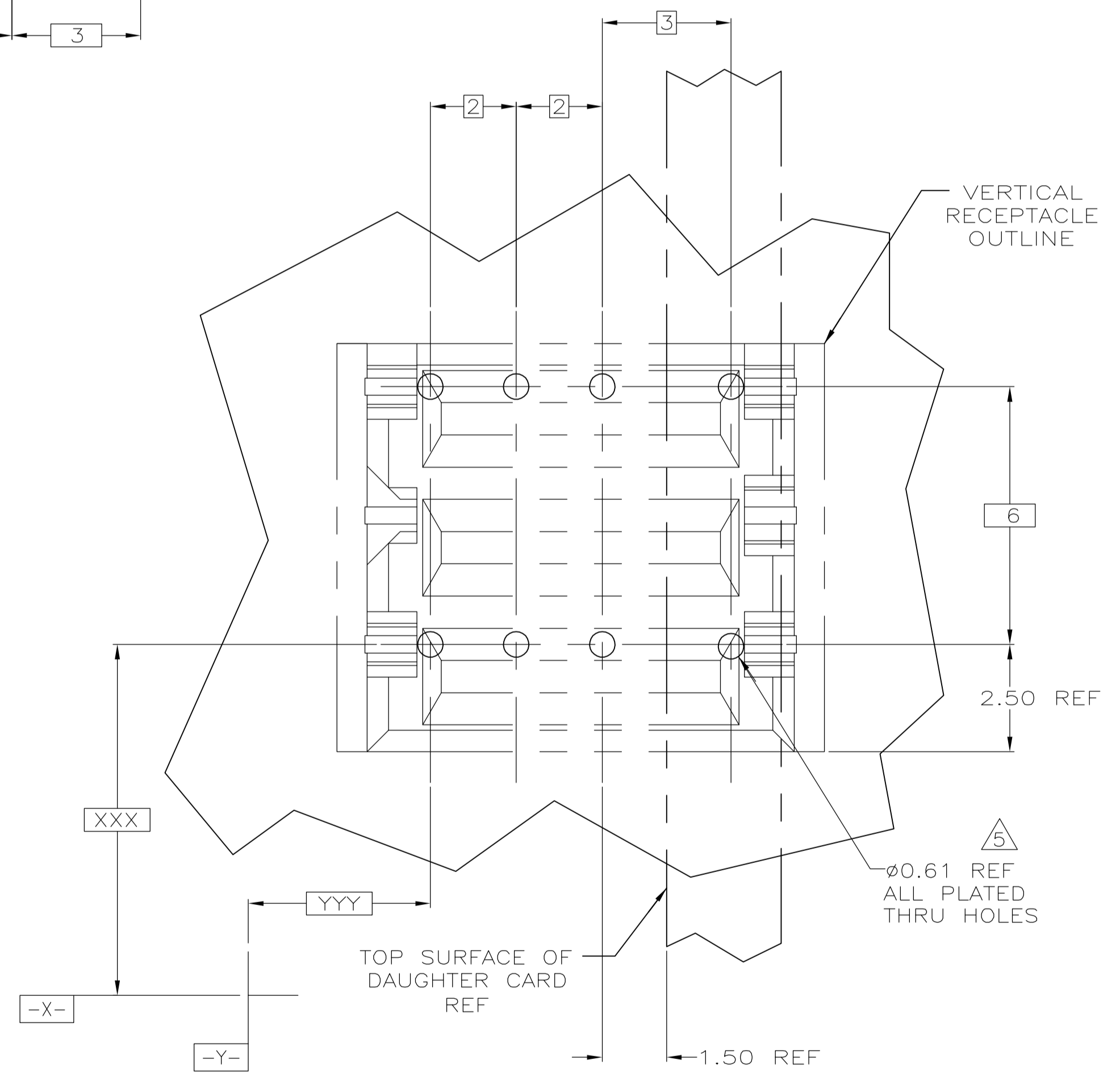
0.75 REF

2.50 REF



0.42 REF
 ⌀ 0.20 (M) B C A (S)
 TYP

SECTION W-W
 SCALE 40:1



RECOMMENDED PCB HOLE LAYOUT

- 1 MATERIAL: HOUSING: POLYESTER. COLOR: GREY. UL 94V-0. CONTACT: PHOSPHOR BRONZE.
- 2 FINISH: CONTACT MATING AREA: 1.27µm MIN GOLD OR 0.08µm MIN GOLD OVER 0.76µm MIN PALLADIUM-NICKEL. ACTION PIN AREA: 0.5µm MIN TIN PLATE, ALL OVER 1.27µm MIN NICKEL UNDERPLATE.
- 3 FINISH: CONTACT LUBRICATION WITH BELLCORE APPROVED LUBRICANT. TECHNICAL REFERENCE: TR-NWT-001217 ISSUE 1, SEPT 1992.
- 4 DIMENSION APPLIES AFTER CONNECTOR IS APPLIED TO P.C. BOARD.
- 5 REFERENCE APPLICATION SPEC 114-1103 FOR RECOMMENDED PLATED THRU HOLE DIAMETER AND PLATING THICKNESS.
- 6 CURRENT RATING 10A/CONTACT PER PRODUCT SPEC 108-1651.

5223984-1
 PART NUMBER

THIS DRAWING IS A CONTROLLED DOCUMENT.		DWG: B CARBO 130E004		Tyco Electronics Corporation Harrisburg, Pa 17105-3608	
DIMENSIONS: mm		CHK: R PATTERSON 130E004		NAME: R PATTERSON 130E004	PRODUCT SPEC
TOLERANCES UNLESS OTHERWISE SPECIFIED:		APPLICATION SPEC		SIZE: A1	CAGE CODE: 00779
0 PLC ± - 1 PLC ± ± 2 PLC ± ± 0.13 3 PLC ± ± 4 PLC ± ± ANGLES ± ±		WEIGHT: -		SCALE: 10:1	SHEET: 1 OF 1
MATERIAL: 1		FINISH: 2 3		CUSTOMER DRAWING	