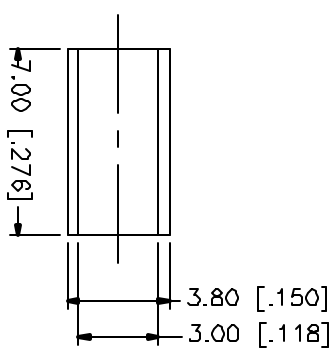
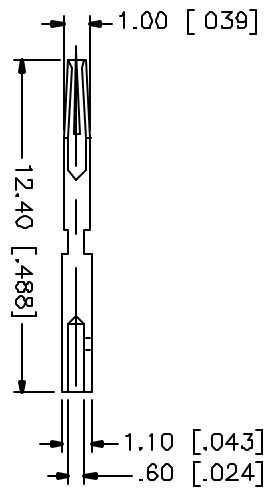
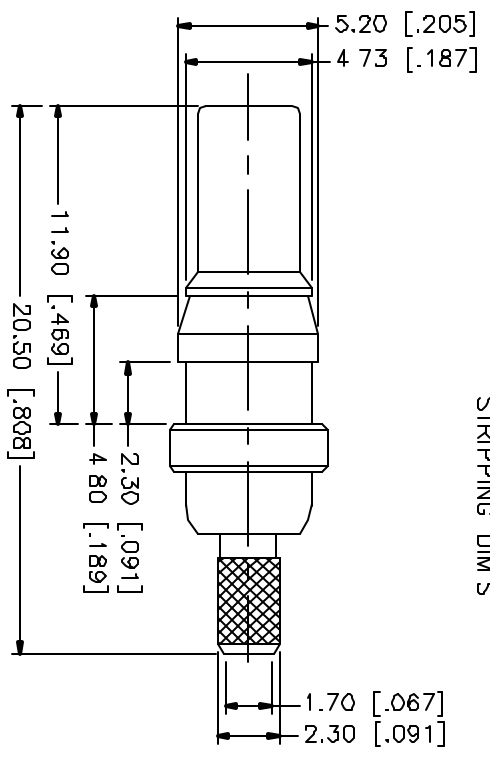
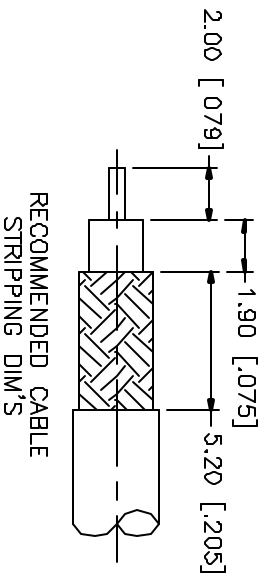


| REV. | DATE | DESCRIPTION |
|------|----------|-----------------|
| NC | 12/28/00 | INITIAL RELEASE |



| 8 | UNLESS OTHERWISE SPECIFIED DIMENSIONS ARE IN MILLIMETERS | APPROVALS | DATE | TITLE | | | | REV. |
|-------------|--|-----------|----------|-----------------------|--|--|--|------|
| 7 | DIMENSIONS IN [] ARE IN INCHES | DRAWN | 12/28/00 | 1.0/2.3 CRIMP JACK | | | | NC |
| 6 | FOR CUSTOMER REFERENCE ONLY | CHECKED | | (FOR 316/U CABLE) | | | | |
| 5 | UNLESS OTHERWISE SPECIFIED TOLERANCES FOR MILLIMETERS ARE: | ISSUED | | Connector Corporation | | | | |
| 4 | 0.5-6 = ± 0.2 | | | Dwg. No. 282104 | | | | |
| 3 | 6-30 = ± 0.4 | | | Part No. 282104 | | | | |
| 2 | 30-120 = ± 0.6 | | | Scale NA | | | | |
| 1 | 120-315 = ± 1 | | | Sheet 1 of 1 | | | | |
| | 315-1000 = ± 1.6 | | | 1 QF 1 | | | | |
| | 1000-2000 = ± 2.4 | | | | | | | |
| | DD NOT SCALE DRAWING | | | | | | | |
| DESCRIPTION | MATERIAL | FINISH | | | | | | |
| 1 | BRASS | GOLD | | | | | | |
| 2 | TEFLON | NATURAL | | | | | | |
| 3 | BRASS | NICKEL | | | | | | |
| 4 | BER, COPPER | GOLD | | | | | | |
| 5 | COPPER | NICKEL | | | | | | |
| 6 | | | | | | | | |
| 7 | | | | | | | | |
| 8 | | | | | | | | |