

Sales Outline Drawing

Revision **A**

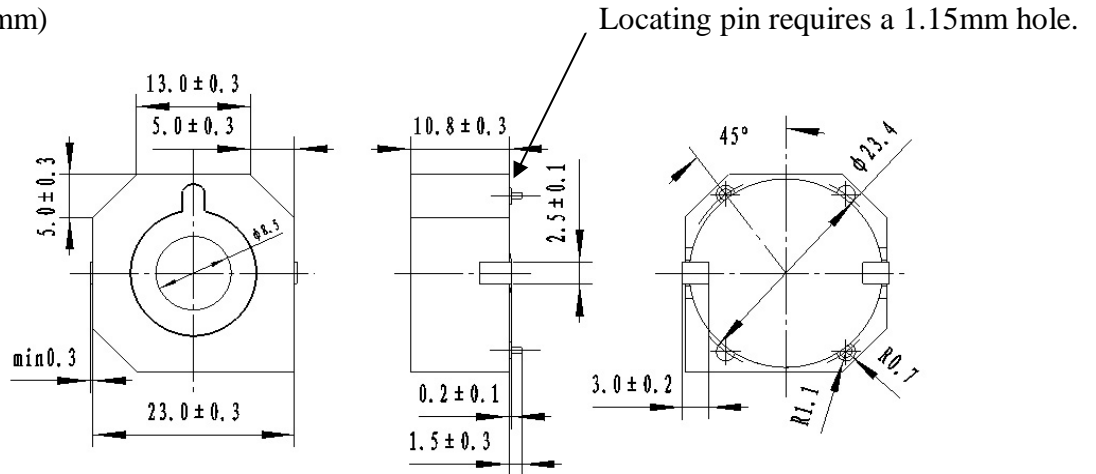
Obsolete- Possible substitutes include AST1750MATRQ (SMT), AST1575BMATRQ (SMT), PT-2040PQ (thru-hole), PT-3534FPQ (thru-hole extra-loud)

| | |
|------------------------------------|-----------------------------------|
| Oscillation Frequency (Hz) | 4000 ± 500 |
| Operating Voltage (Vp-p) | 1 ~ 30 |
| Rated Voltage (Vp-p) | 9.0 |
| Current Consumption Max. (mA) | 8.0 at Rated Voltage |
| Sound Pressure Level (dB/min) | 100 at 10cm at Rated Voltage |
| Capacitance (pF) | 12,000 ± 30% at 120 Hz |
| Operating Temperature (°C) | -30 ~ +70 |
| Storage Temperature (°C) | -40 ~ +80 |
| Type of Connection Terminal | SMD |
| Housing | PPS plastic resin (Color : Black) |
| Weight (Grams) | 5.5 |
| Condition by reflow soldering (°C) | 245 ± 5 / 1 min |
| Condition by hand soldering (°C) | 350 ± 20 / within 5 sec |
| Options | For other options contact factory |

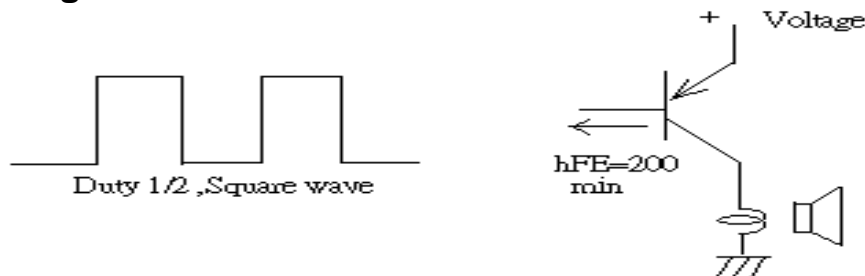
PS : Vp-p=1/2duty, square wave

RoHS Compliant

Dimensions: (units: mm)



Recommend Driving Circuit



Packaging:

Parts are supplied on reels (150 pcs per tape and reel).