

Technical specification:

Rated voltage: 5pos
IEC 61076-2-101 30 V

Current rating: 4 A at 40°C
IEC 61076-2-101

Insulation resistance: >=100 MΩ
IEC 60512

Pollution degree: 3/2
IEC 60664-1

Degree of protection: IP 67, in mated condition
IEC 60529

Temperature range: -30°C ... +80°C
IEC 60664-1

Mating cycles: >=100
IEC 60512-9a

Materials:

Contact: CuZn

Contact plating: Nickel, gold plated

Contact carrier: TPU GF, UL 94

Sealing: FPM

Coupling nut/ screw: GD-Zn, nickel plated

Moulding body axial: TPU, UL 94, grey

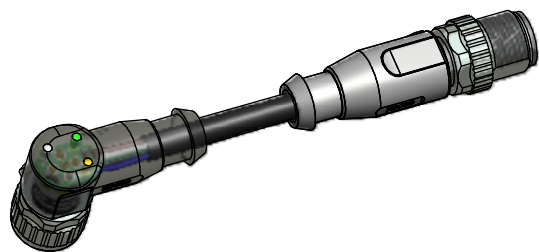
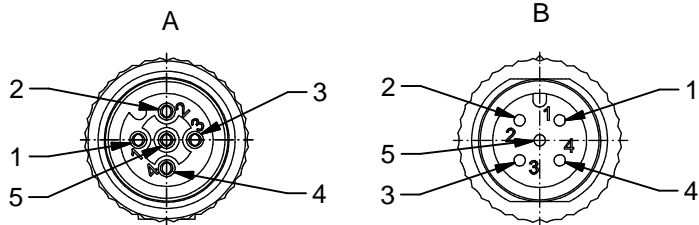
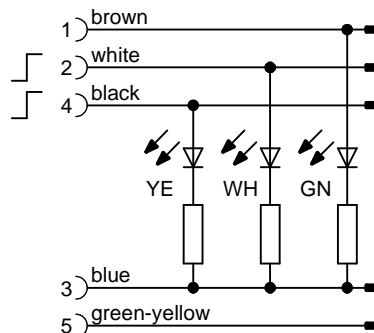
Moulding body angled: TPU, UL 94, translucent

Installation specification:

Recommended torque: 0,6 Nm

Conec installation tool: Torque wrench: 36-000200
Insert across flats 13: 36-000220

Contact assignment:



Part no:	Description:	Length L:	Cable:
43-10860	SAL - 12 - RKW5 - RS5 - 3L - 0,3 / K1	0,3m	TPU, UL 20549, black, 5x0,34mm ² Cable: 781-K13500
43-10861	SAL - 12 - RKW5 - RS5 - 3L - 0,6 / K1	0,6m	
43-10862	SAL - 12 - RKW5 - RS5 - 3L - 1,5 / K1	1,5m	
43-10863	SAL - 12 - RKW5 - RS5 - 3L - 3 / K1	3m	
43-xxxxx	SAL - 12 - RKW5 - RS5 - 3L - ... / K1	x	

D see data sheet cable

DO NOT ALTER CAD DRAWING BY HAND Directive 2002/95/EC RoHS compliant	Index: a 01.02.11 VF Ä3767 Coupling nut/ screw modified, spanner flats added, data sheet modified	dim. in mm	title: Connecting cable M12x1, female connector angled with LED - male connector axial		
	tolerance of cable: L ≤ 4m: L + 40mm L > 4m: L + 1%			date	name
	THIS DRAWING MAY NOT BE COPIED OR REPRODUCED IN ANY WAY, AND MAY NOT BE PASSED ON TO A THIRD PARTY WITHOUT WRITTEN PERMISSION. OWNERSHIP AND COPYRIGHT OF CONEC GmbH	drawn		14.03.07	Fromm
		appd.		14.03.07	Mankopf
		dwg no: 43K1A464			
		part no: see table			