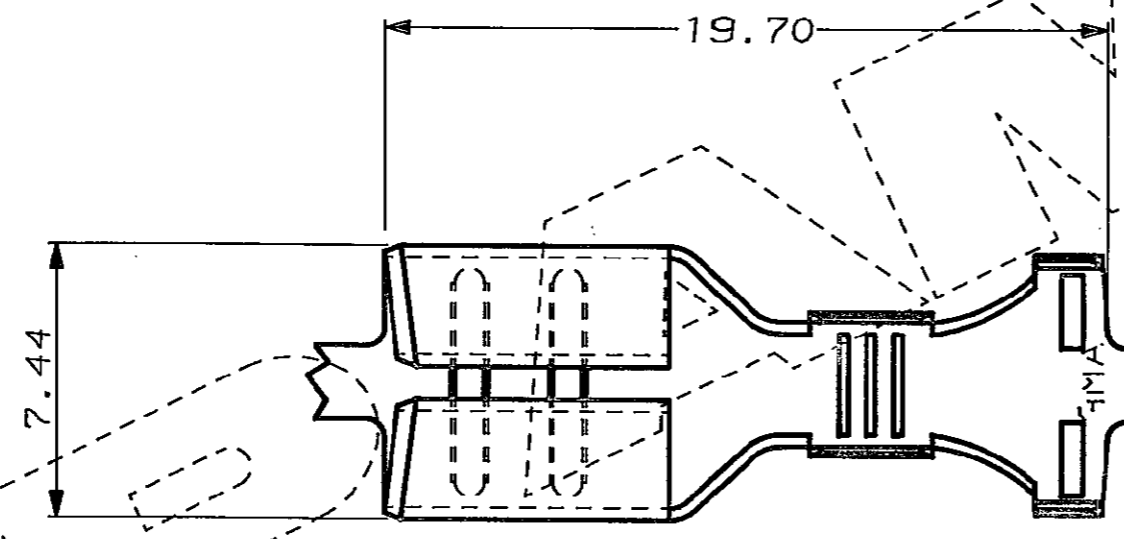
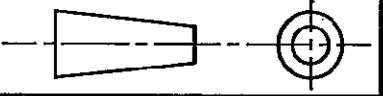


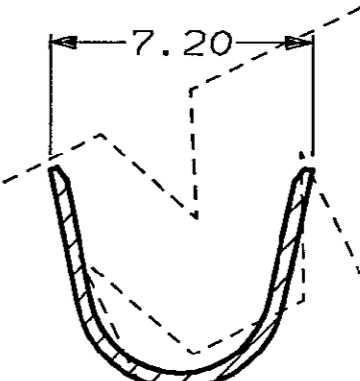
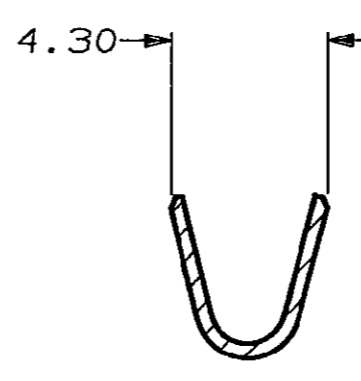
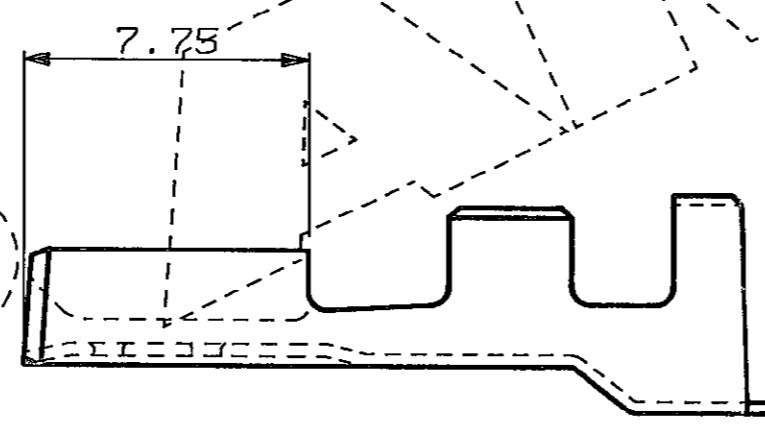
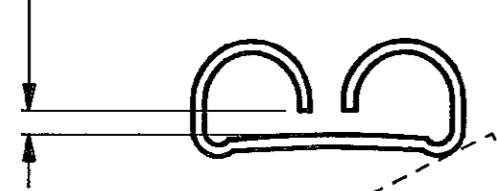
C.A.D. FILE CODE  
S.C344009

DO NOT SCALE

DIMENSIONS IN MM.




GAP TO SUIT 0.81 TAB



WIRE RANGE 2.00 TO 3.00 MM<sup>2</sup>

INS. RANGE 4.10 TO 5.50 MM DIA. INC. SEAL  
(ONLY THIN WALLED CABLE 2.20 TO 3.40 DIA. IS SUITABLE)

TIN PLATED		BRASS		344009-1	
FINISH		MATERIAL		PART NUMBER	
CUSTOMER DWG FOR REFERENCE ONLY		©COPYRIGHT 1987 BY AMP OF GREAT BRITAIN LTD. ALL INTERNATIONAL RIGHTS RESERVED. ALL PRODUCTS MAY BE COVERED BY BRITISH AND FOREIGN PATENTS AND/OR PATENTS PENDING.		RELEASED FOR PUBLICATION 24/06/87	
-		TOLERANCES UNLESS OTHERWISE STATED :		DR. R. RUNAGALL. 24/06/87	
-		DEC ± 0.5		CH. R. J. S. APP. B. J.	
-		ANGLES ± 1°		 TERMINAL HOUSE STANMORE MIDD.	
B EBA0-0001-05 RS/MG 20.1.05		NAME		.250 SERIES REC. HIGH CURRENT	
A E800-0232-98 14-5-98		SCALE		ECONOSEAL 3 (SEALED APPLICATIONS)	
O REL. FOR PROD. C4887 8.3.88		LOC		SIZE DWG.No.	
REV APPROVED ECN DATE		5/1 E		A2 C344009	
				REV SHEET B 1/1	