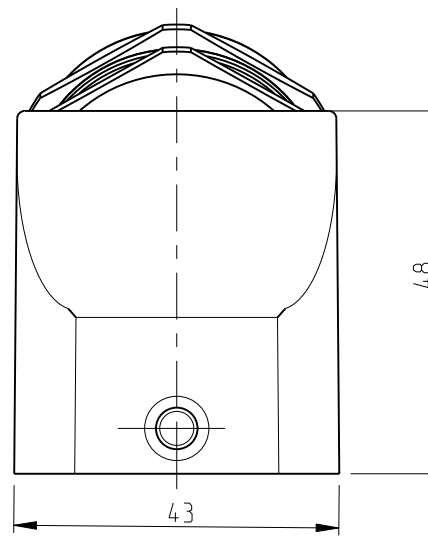
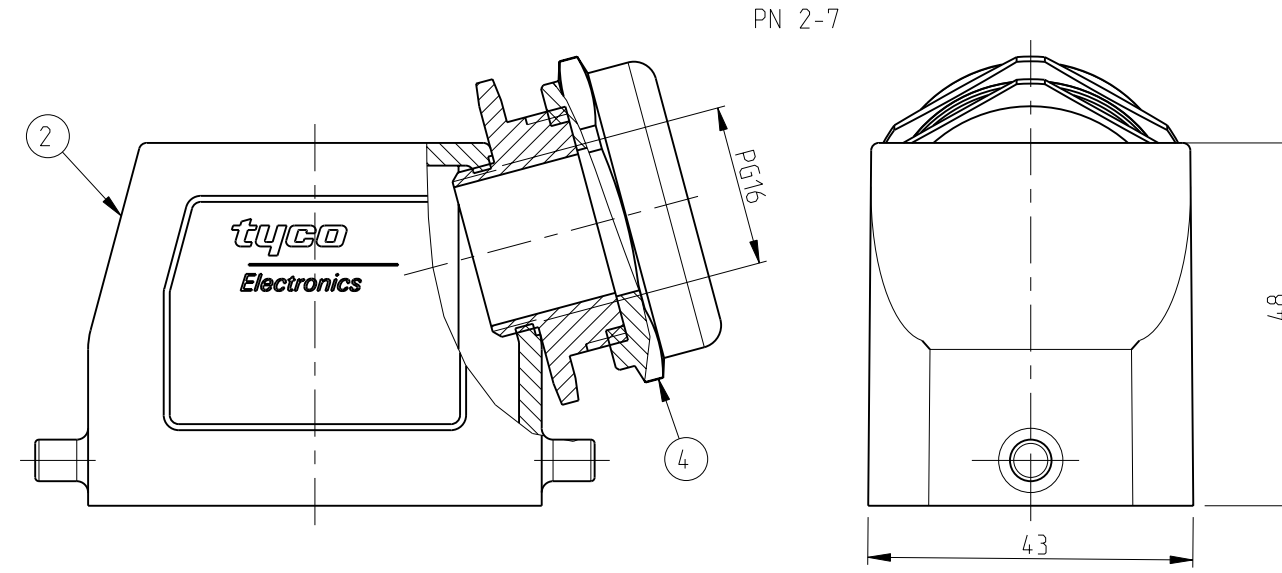
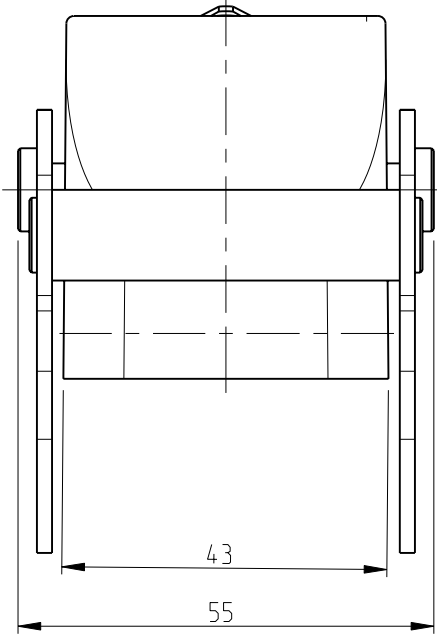
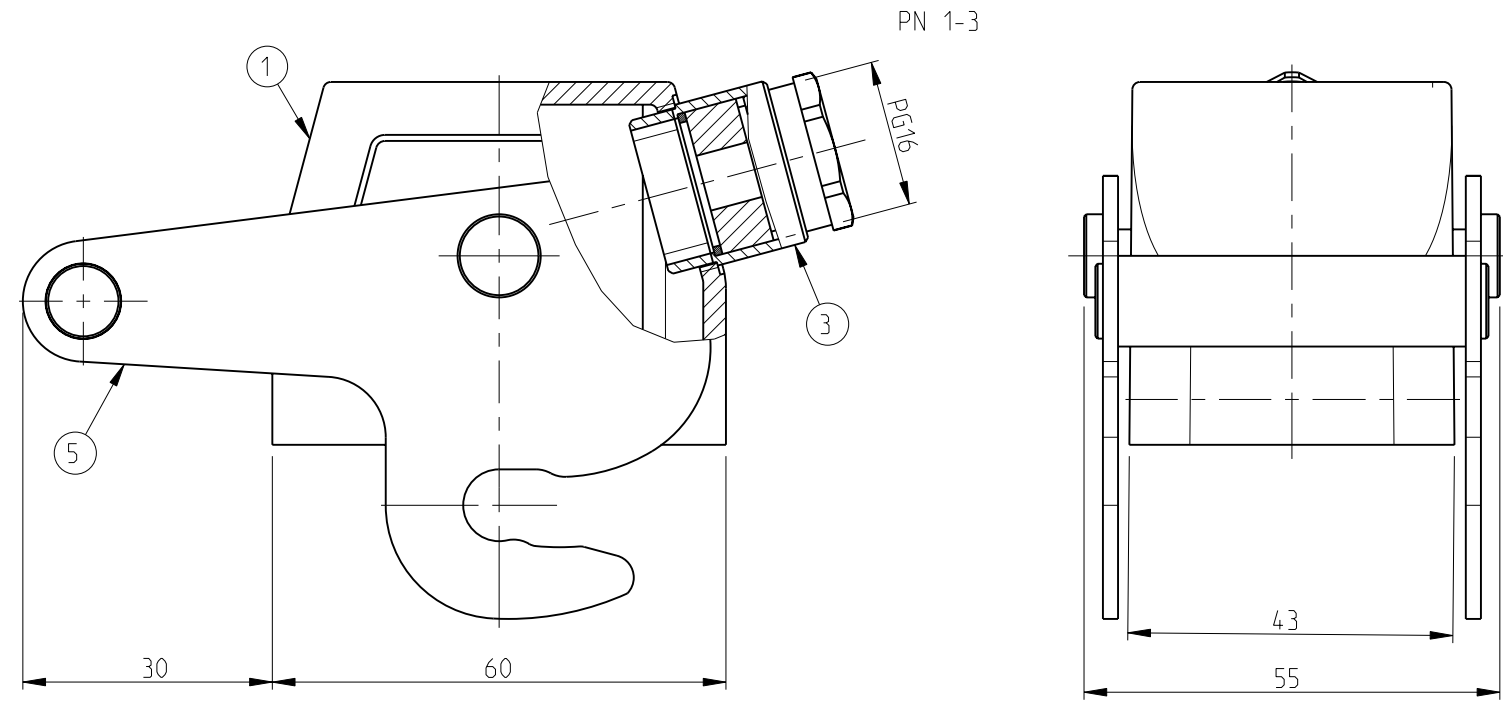
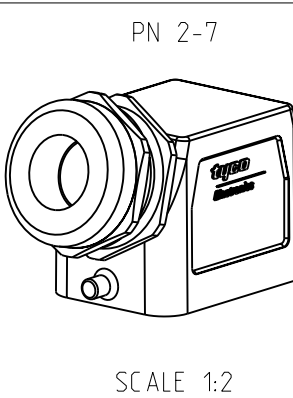
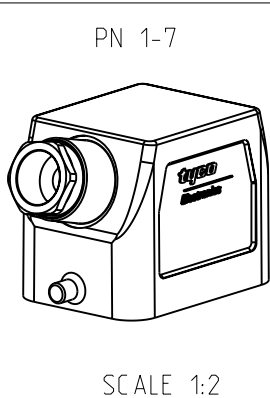
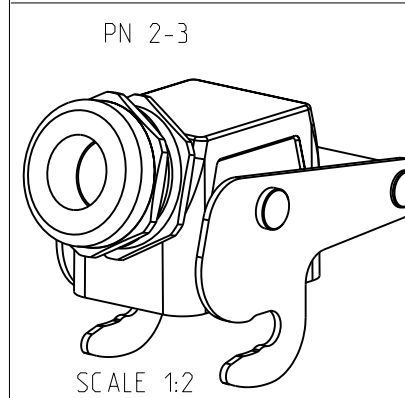
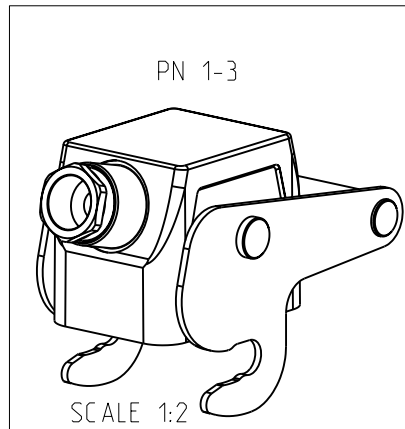
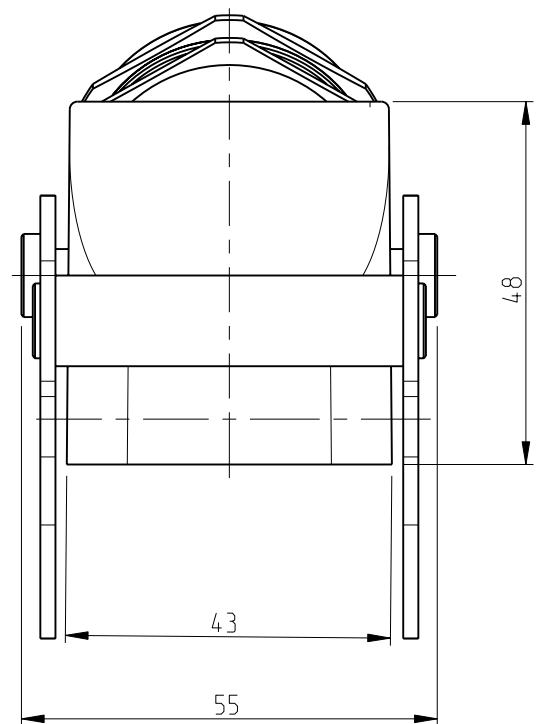
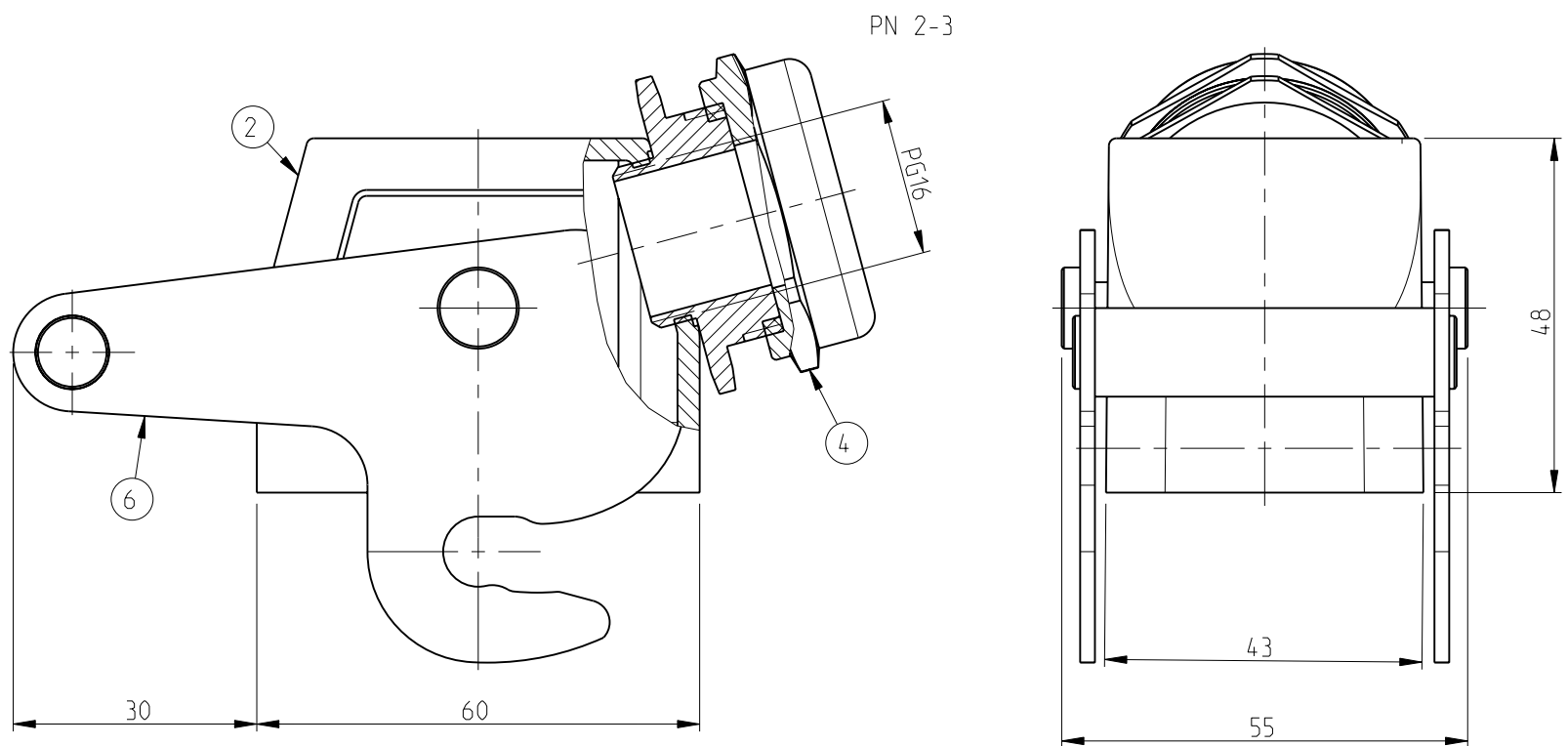


THIS DRAWING IS UNPUBLISHED. RELEASED FOR PUBLICATION 1997
 © COPYRIGHT 1997 BY TYCO ELECTRONICS CORPORATION. ALL RIGHTS RESERVED.

| LOC | | DIST | | REVISIONS | | | |
|-----|-----|-------------------------------|-------------|-----------|------|--|--|
| P | LTR | DESCRIPTION | DATE | DWN | APVD | | |
| B4 | | Released as per ECR-08-005944 | 06.Mar.2008 | SP | TS | | |
| B5 | | REVISED PER ECO-09-027197 | 14DEC2009 | KK | AEG | | |



- Notes
- 1 Material: Housing: Aluminium diecasting alloy
 - 2 Surface:- Varnish-grey
-Aluminium oxide+
Varnish black
 - 3 Varnish on the inside not necessary
 - 4 Packaging
Packaging quantity: 5 pieces in a box
 - 5 OBSOLETE PARTS: OBSOLETE CIS STREAMLINING PER D.RENAUD/D.SINISI

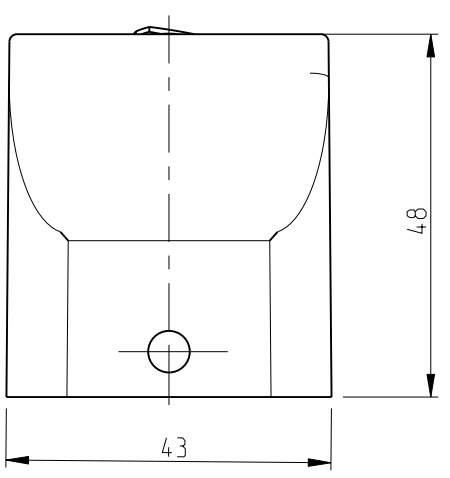
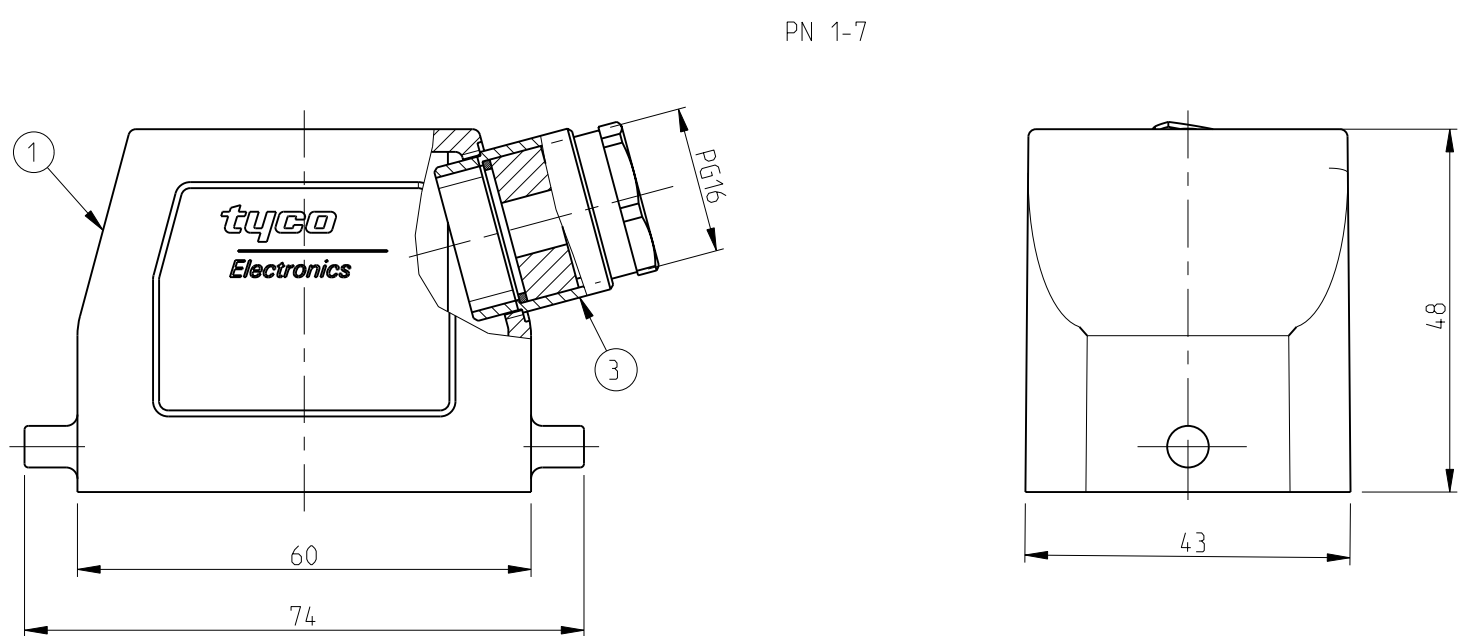


5
OBSOLETE
OBSOLETE

| QTY | DESCRIPTION | MATERIAL | SURFACE | COLOR | ITEM NO | NOTES |
|-----|---------------------------|-----------------|-----------------|-------|---------|-------|
| 1 | ZB-Side clip | Stainlees steel | | | 6 | |
| 1 | ZB-Side clip | Steel | Zinc plated | Blue | 5 | |
| 1 | Hat-Cable connection PG16 | Brass | Nickel plated | | 4 | |
| 1 | PG-Gland fitting Pg21 | Brass | Nickel plated | | 3 | |
| 1 | Hood HB6.Sts | Aluminium | Aluminium oxide | Black | 2 | |
| 1 | Hood HB6.Sts | Aluminium | - | Grey | 1 | |

ORDERING TEXT

HB-6.Sts.1.16
 HB-K-6.Sts.1.16
 HB-Z-6.Sts-ZB.1.16
 HB-K/Z-6.Sts-ZB.1.16



THIS DRAWING IS A CONTROLLED DOCUMENT FOR TYCO ELECTRONICS CORPORATION IT IS SUBJECT TO CHANGE AND THE CONTROLLING ENGINEERING ORGANIZATION SHOULD BE CONTACTED FOR THE LATEST REVISION.

DWN: Schneider 23.07.1997
 CHK: Schweiger 23.07.1997
 APVD: Schweiger

Tyco Electronics Tyco Electronics Corporation
 D-53819,Neunkirchen,Germany

NAME: HOOD HB6

PRODUCT SPEC: 108/74001/74003
 APPLICATION SPEC: 114-74001/74004/74005

WEIGHT: A2
 CAGE CODE: 00779
 DRAWING NO: 1102238

RESTRICTED TO: A2

CUSTOMER DRAWING SCALE: 1:1 SHEET: 1 OF 1 REV: B5