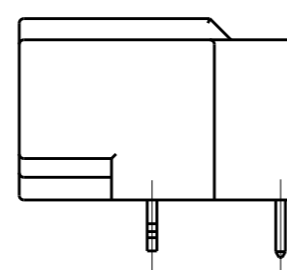
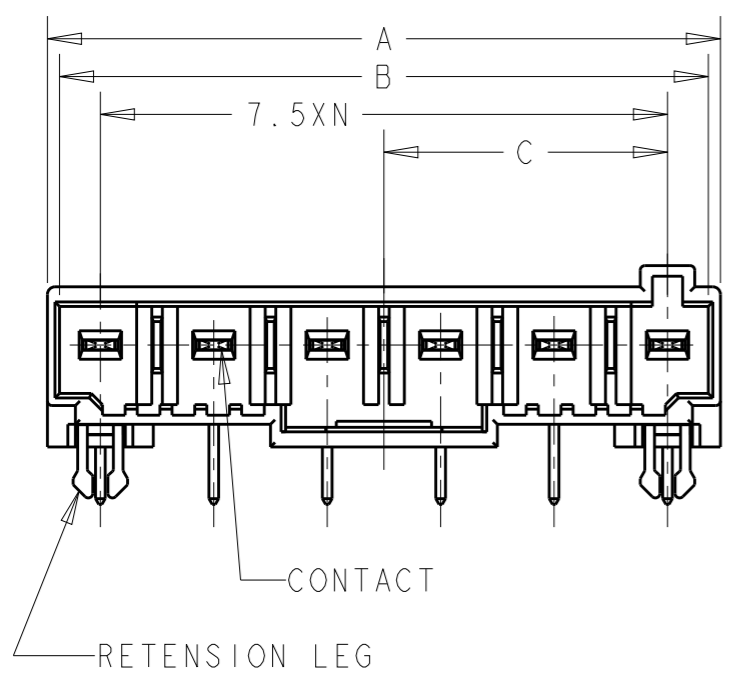
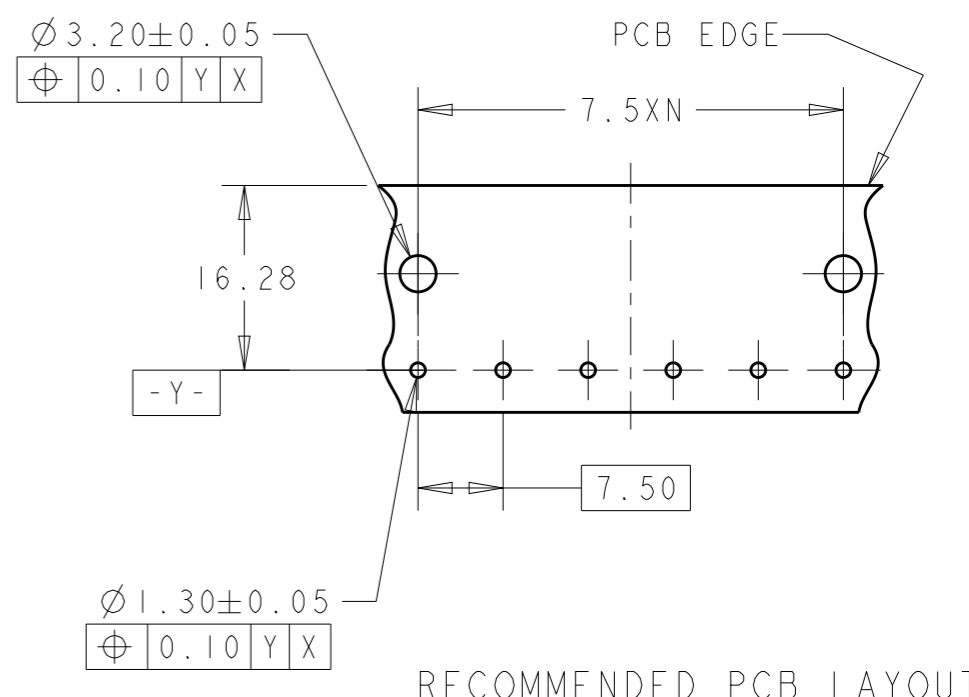
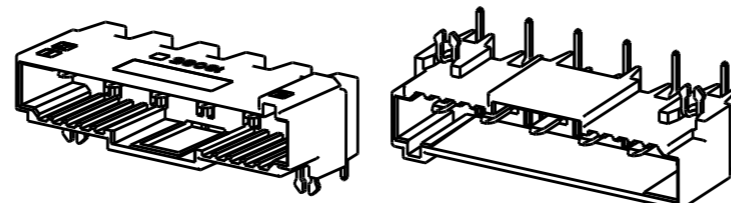
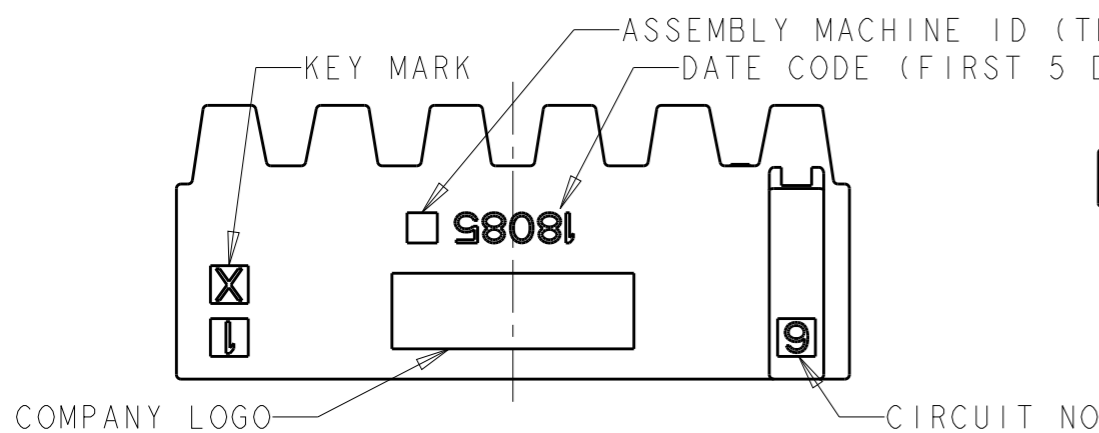
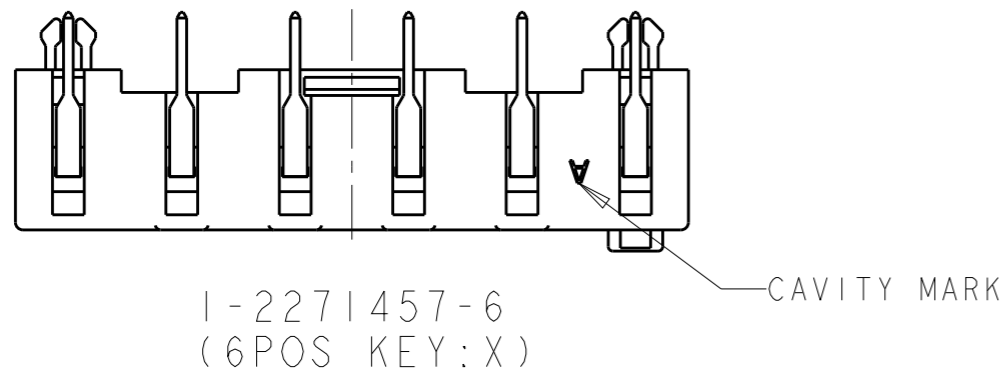
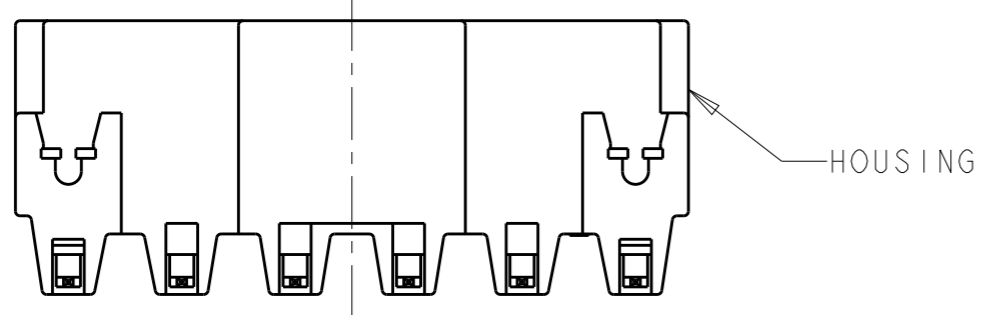


REVISIONS					
P	LTR	DESCRIPTION	DATE	DWN	APVD
	A5	REVISED	18MAY2018	K.T	E.I
	B	REVISED	12JUN2018	K.T	E.I



- 1 COMPLIES WITH DIRECTIVES 2002/95/EC (ROHS)
- 2 RATED VOLTAGE: 600VAC,
- 3 APPLICATION CABLE: 22AWG~14AWG
- 4 OPERATION TEMPERATURE: -30°C~105°C
- 5 CONTACT RESISTANCE: 10mΩ MAX. INITIAL
- 6 INSULATION RESISTANCE: 1000MΩ MIN. INITIAL
- 7 NOTE DELETED



1-2271457-6
(6POS KEY: X)

X	6	5	18.75	42.90	44.50	1-2271457-6
X	4	3	11.25	27.90	29.50	1-2271457-4
KEY MARK	POS	N	DIM.C	DIM.B	DIM.A	ASSEMBLY P/N

THIS DRAWING IS A CONTROLLED DOCUMENT.		DWN Ning Wang 13JAN2015	STE TE Connectivity
DIMENSIONS: mm		CHK Kobby Zhao 13JAN2015	
TOLERANCES UNLESS OTHERWISE SPECIFIED:		APVD Xiang Xu 13JAN2015	NAME DYNAMIC 3950 PLUG ASSEMBLY
0 PLC ± 1 PLC ±0.50 2 PLC ±0.30 3 PLC ± 4 PLC ± ANGLES ±3°		PRODUCT SPEC 108-78997	SIZE A3
MATERIAL SEE NOTE		APPLICATION SPEC 411-78272	CAGE CODE -
FINISH -		WEIGHT -	DRAWING NO C=2271457
-		CUSTOMER DRAWING	RESTRICTED TO
		SCALE 2:1	SHEET 1 OF 2
			REV B

THIS DRAWING IS UNPUBLISHED.

RELEASED FOR PUBLICATION

20

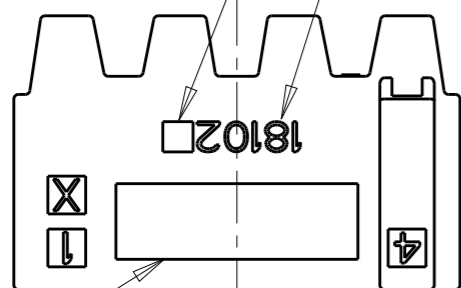
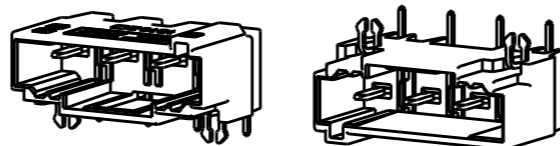
© COPYRIGHT 20 BY -

ALL RIGHTS RESERVED.

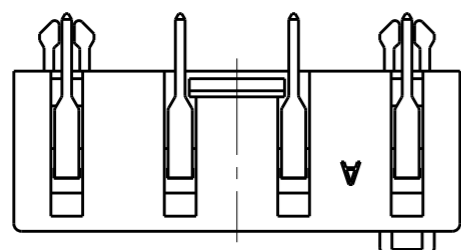
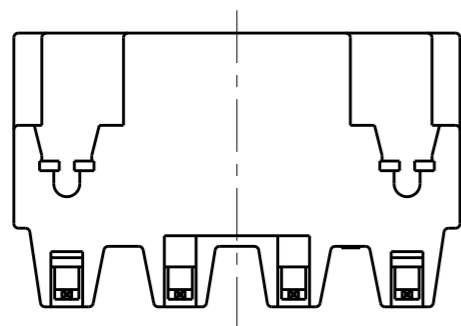
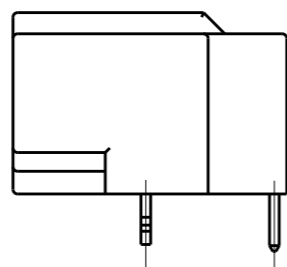
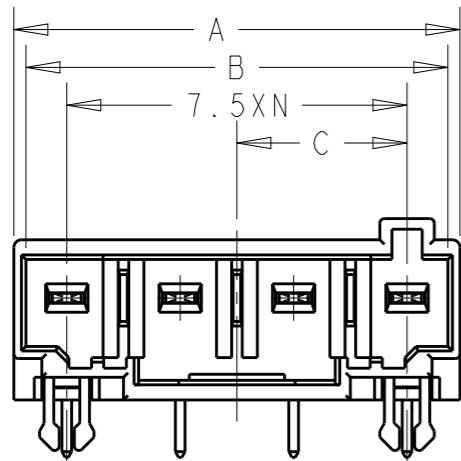
REVISIONS

P	LTR	DESCRIPTION	DATE	DWN	APVD
		SEE SHEET 1			

ASSEMBLY MACHINE NUMBER
DATE CODE



COMPANY LOGO



1-2271457-4
(4POS KEY: X)

THIS DRAWING IS A CONTROLLED DOCUMENT.

DIMENSIONS: mm		TOLERANCES UNLESS OTHERWISE SPECIFIED:	
		0 PLC	±-
		1 PLC	±0.50
		2 PLC	±0.30
		3 PLC	±-
		4 PLC	±-
MATERIAL		ANGLES	±3°
-		FINISH	-
-			-

DWN	13JAN2015
Ning Wang	
CHK	13JAN2015
Kobby Zhao	
APVD	13JAN2015
Xiang Xu	
PRODUCT SPEC	108-78997
APPLICATION SPEC	411-78272
WEIGHT	-
CUSTOMER DRAWING	

		NAME	
		DYNAMIC 3950 PLUG ASSEMBLY	
SIZE	CAGE CODE	DRAWING NO	RESTRICTED TO
A3	-	©-2271457	
SCALE		SHEET	REV
2:1		2 OF 2	B