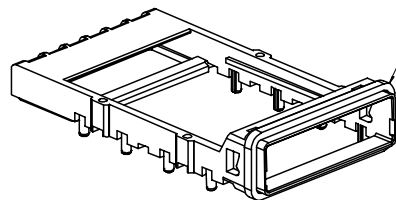
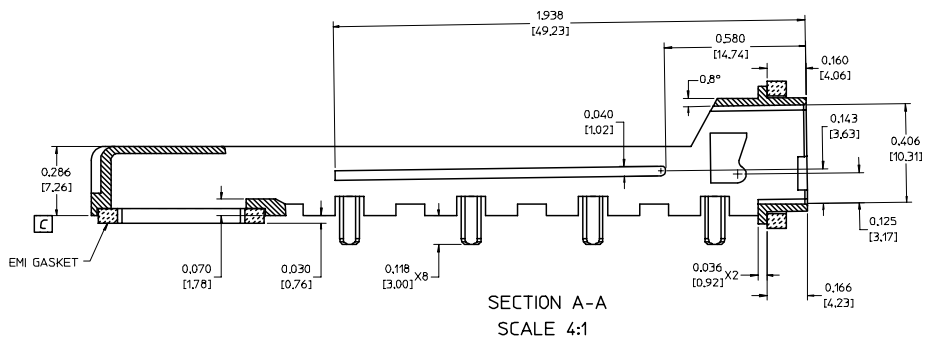
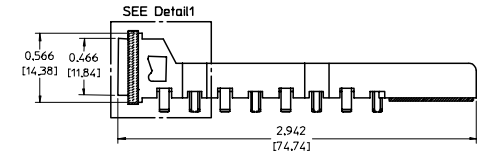
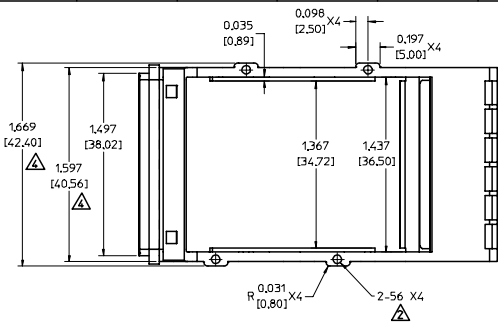
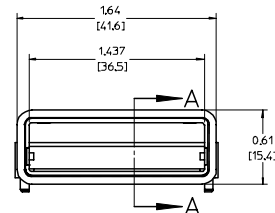


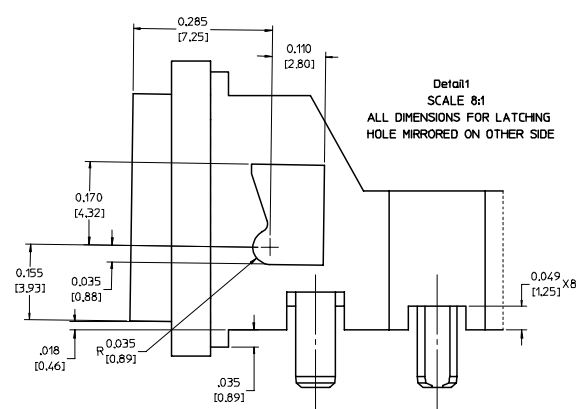
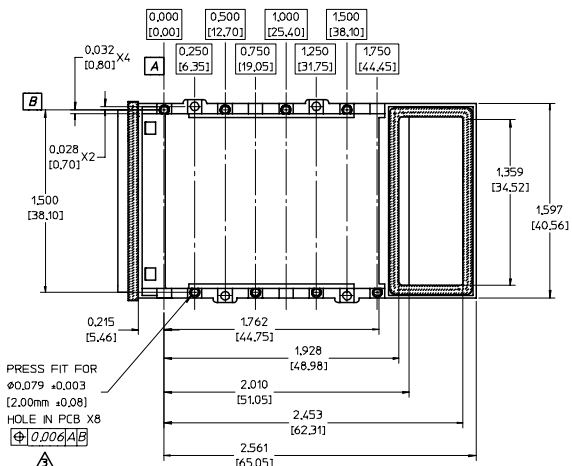
EMI GASKET TO PCB



EMI GASKET FOR FRONT PANEL



SECTION A-A
SCALE 4:1

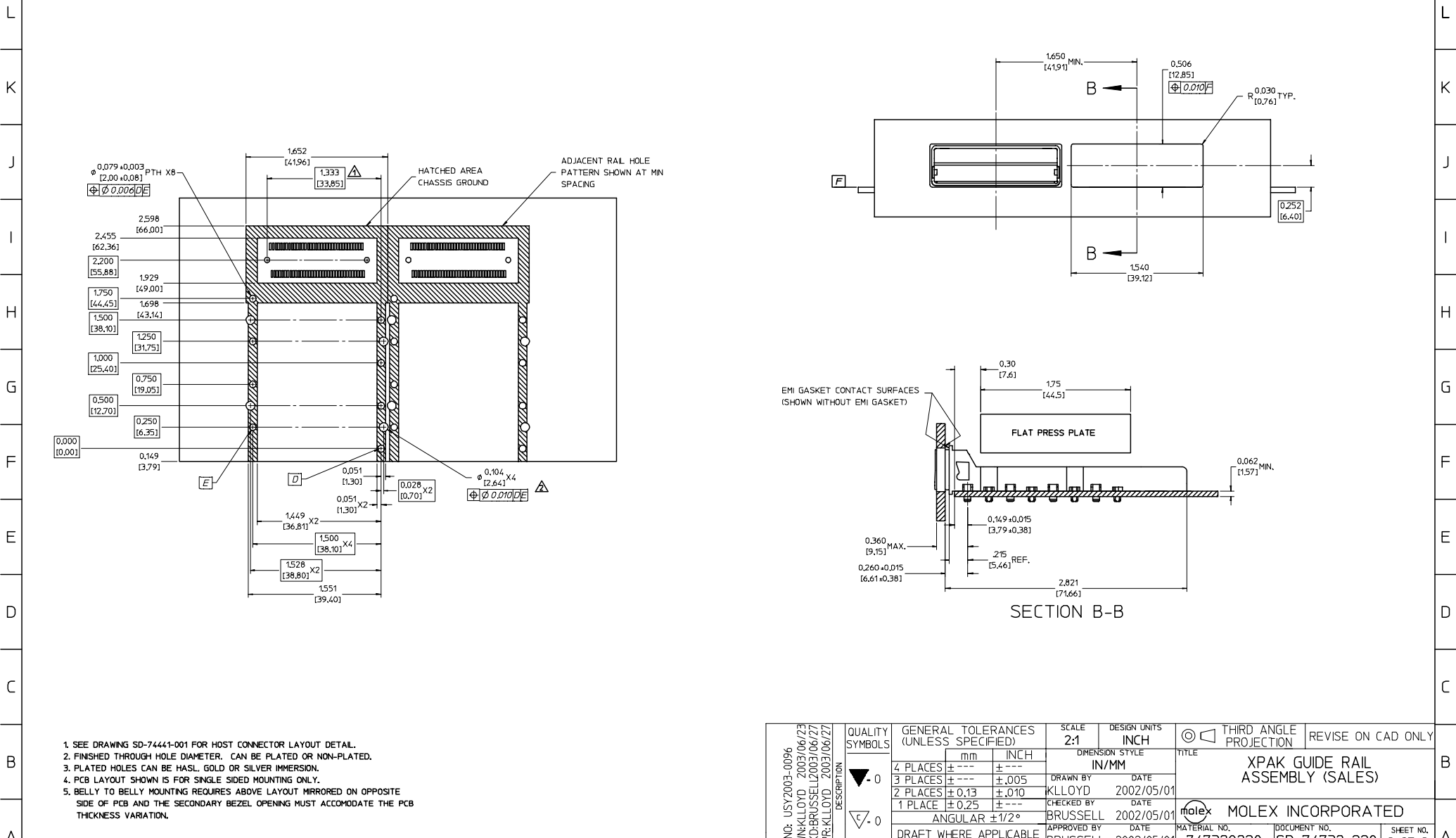


Detail1
SCALE 8:1
ALL DIMENSIONS FOR LATCHING HOLE MIRRORED ON OTHER SIDE

1. MATERIAL: NICKEL PLATED ZINC ALLOY DIECAST
2. HOLE TAPPED FOR 2-56 SCREW. SCREW USE IS OPTIONAL
3. FOR USE WITH HASL, GOLD OR SILVER IMERSION FINISHED PTH
4. THESE DIMENSIONS EXCEED MSA MAXIMUM.
5. MINIMUM PCB THICKNESS FOR PRESS FIT ON ONE SIDE 0.062 [1.57]
6. MINIMUM PCB THICKNESS FOR BELLY TO BELLY 0.090 [2.29]

EC NO: USY2003-0096 DRWN: KLOYD 2003/06/23 CHKD: BRUSSELL 2003/06/27 APPR: KLOYD 2003/06/27 REV A	QUALITY SYMBOLS	GENERAL TOLERANCES (UNLESS SPECIFIED)		SCALE 2:1	DESIGN UNITS INCH	THIRD ANGLE PROJECTION	REVISE ON CAD ONLY
	▽ 0	mm	INCH	DIMENSION STYLE IN/MM		TITLE	
	▽ 0	4 PLACES ± ---	± ---	DRAWN BY KLOYD	DATE 2002/05/01	XPAK GUIDE RAIL ASSEMBLY (SALES)	
		3 PLACES ± ---	± .005	CHECKED BY BRUSSELL	DATE 2002/05/01		
	2 PLACES ± 0.13	± .010	APPROVED BY BRUSSELL		DATE 2002/05/01	MATERIAL NO. 747320220	DOCUMENT NO. SD-74732-220
	1 PLACE ± 0.25	± ---	DRAFT WHERE APPLICABLE MUST REMAIN WITHIN DIMENSIONS			SHEET NO. 1 OF 2	
THIS DRAWING CONTAINS INFORMATION THAT IS PROPRIETARY TO MOLEX INCORPORATED AND SHOULD NOT BE USED WITHOUT WRITTEN PERMISSION							

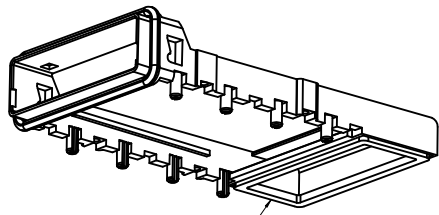
20 19 18 17 16 15 14 13 12 11 74732 9 8 7 6 5 4 3 2 1



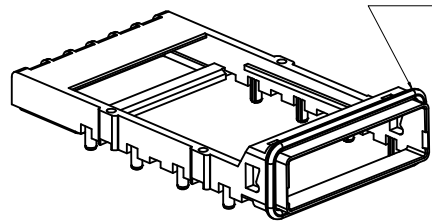
- SEE DRAWING SD-74441-001 FOR HOST CONNECTOR LAYOUT DETAIL.
- FINISHED THROUGH HOLE DIAMETER. CAN BE PLATED OR NON-PLATED.
- PLATED HOLES CAN BE HASL, GOLD OR SILVER IMMERSION.
- PCB LAYOUT SHOWN IS FOR SINGLE SIDED MOUNTING ONLY.
- BELLY TO BELLY MOUNTING REQUIRES ABOVE LAYOUT MIRRORED ON OPPOSITE SIDE OF PCB AND THE SECONDARY BEZEL OPENING MUST ACCOMMODATE THE PCB THICKNESS VARIATION.

EC NO: USY2003-0096 DRWN: KLOYD 2003/06/23 CHKD: BRUSSELL 2003/06/27 APPR: KLOYD 2003/06/27	QUALITY SYMBOLS	GENERAL TOLERANCES (UNLESS SPECIFIED)	SCALE 2:1	DESIGN UNITS INCH	THIRD ANGLE PROJECTION	REVISE ON CAD ONLY	
	▽ -0	4 PLACES ± --- ± ---	DIMENSION STYLE IN/MM	TITLE XPAK GUIDE RAIL ASSEMBLY (SALES)	MOLEX INCORPORATED		
	▽ -0	3 PLACES ± --- ± .005	DRAWN BY KLOYD	DATE 2002/05/01	MATERIAL NO. 747320220	DOCUMENT NO. SD-74732-220	SHEET NO. 2 OF 2
		2 PLACES ± 0.13 ± .010	CHECKED BY BRUSSELL	DATE 2002/05/01	THIS DRAWING CONTAINS INFORMATION THAT IS PROPRIETARY TO MOLEX INCORPORATED AND SHOULD NOT BE USED WITHOUT WRITTEN PERMISSION		

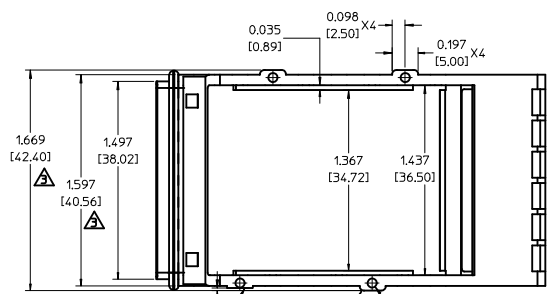
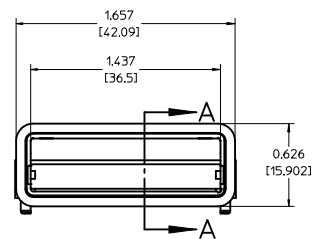
19 18 17 16 15 14 13 12 11 10 9 8 7 6 5 4 3 2 1



EMI GASKET TO PCB

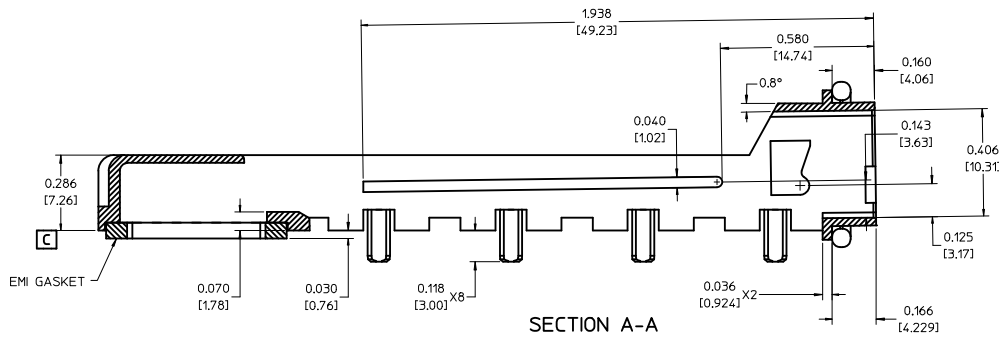
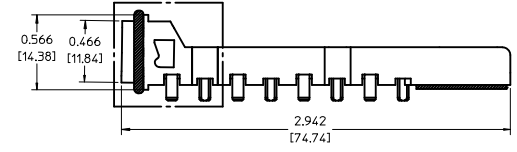


EMI GASKET FOR FRONT PANEL.
THE EMI GASKET MATERIAL IS A ROUND, COMPLIANT, CONDUCTIVE ELASTOMER THAT STRETCHES AROUND THE MOUTH OF THE XPAK RAIL. A BEZEL LOCATED PER THE XPAK MSA WILL MAKE GROUNDING CONTACT WITH THE GASKET TO PROVIDE EMI SHIELDING.

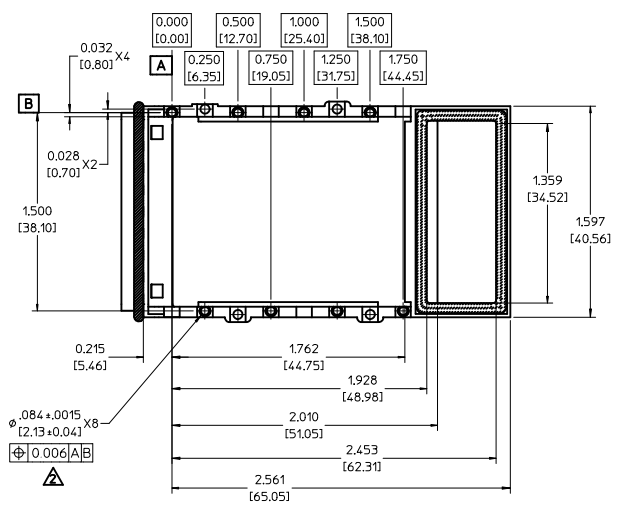


.020 MILLED (REMOVED) FROM THIS SURFACE

SEE Detail1

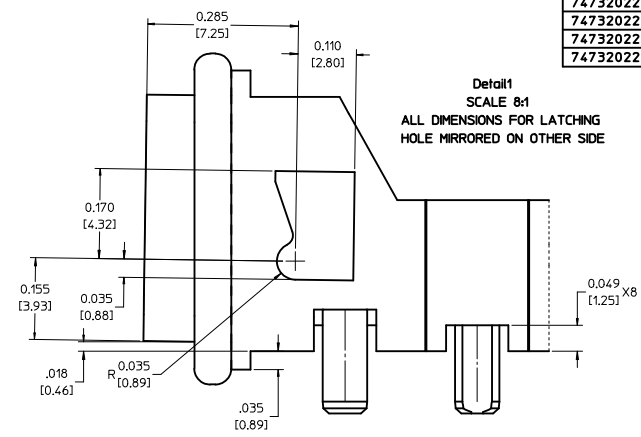


SECTION A-A
SCALE 4:1



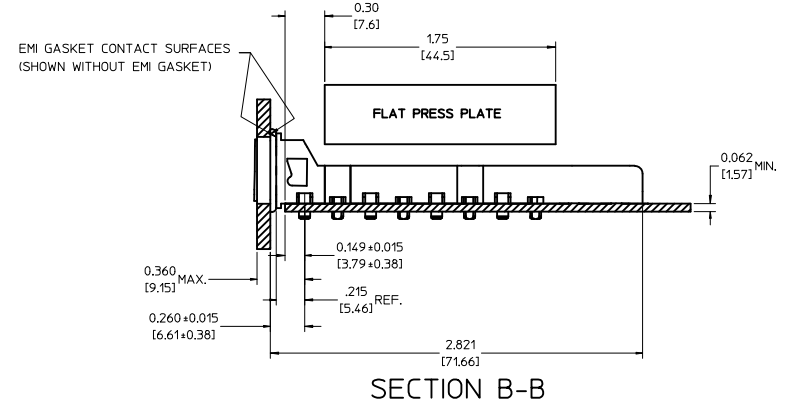
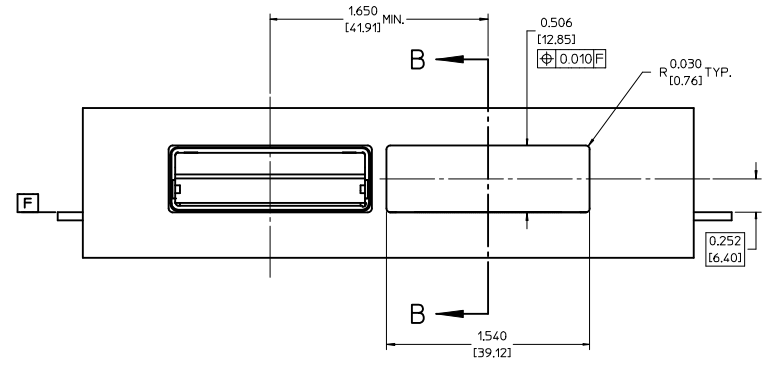
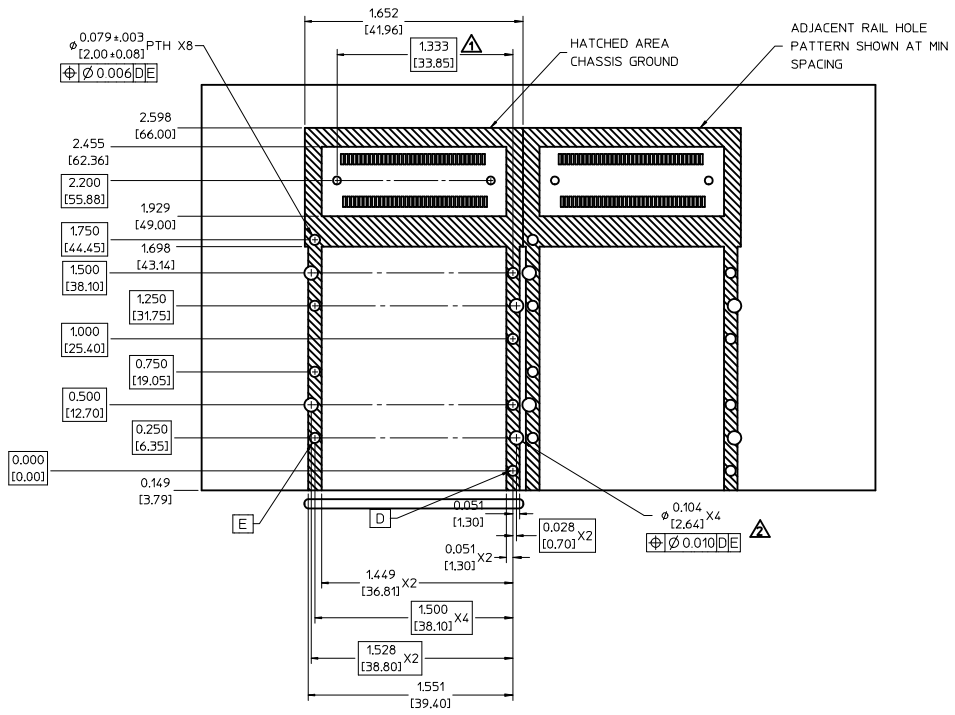
MOLEX P/N	DESCRIPTION
747320221	XPAK RAIL ASSEMBLY - WITH ONE MILLED SIDE AND 0.078 ELASTOMER GASKET
747320222	XPAK RAIL ASSEMBLY - WITH ONE MILLED SIDE AND 0.098 ELASTOMER GASKET
747320223	XPAK RAIL ASSEMBLY - WITH ONE MILLED SIDE AND 0.090 ELASTOMER GASKET
747320224	XPAK RAIL ASSEMBLY - WITH ONE MILLED SIDE AND 0.073 ELASTOMER GASKET

1. MATERIAL: NICKEL PLATED ZINC ALLOY DIECAST
2. FOR USE WITH HASL, GOLD OR SILVER IMMERSION FINISHED PTH
3. THESE DIMENSIONS EXCEED MSA MAXIMUM.
4. MINIMUM PCB THICKNESS FOR PRESS FIT ON ONE SIDE 0.062 [1.57]
5. MINIMUM PCB THICKNESS FOR BELLY TO BELLY 0.090 [2.29]



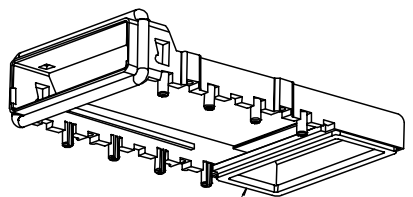
Detail1
SCALE 8:1
ALL DIMENSIONS FOR LATCHING HOLE MIRRORED ON OTHER SIDE

ENTER DESCRIPTION EC NO: USY2009-0082 DRAWN: JERWIN 2008/09/11 CHKD: KLLLOYD 2008/09/12 APPR: RMAHMOOD 2008/09/15	QUALITY SYMBOLS =0 =0	GENERAL TOLERANCES (UNLESS SPECIFIED) mm INCH 4 PLACES ± --- ± --- 3 PLACES ± --- ± .005 2 PLACES ± 0.13 ± .010 1 PLACE ± 0.25 ± --- ANGULAR ± 1/2°	DIMENSION STYLE IN/MM DRAWN BY DATE KLLLOYD 2002/05/01 CHECKED BY DATE BRUSSELL 2002/05/01 APPROVED BY DATE BRUSSELL 2002/05/01	SCALE 2:1 DESIGN UNITS INCH	THIRD ANGLE PROJECTION
	DRAFT WHERE APPLICABLE MUST REMAIN WITHIN DIMENSIONS				
	SEE CHART		SD-74732-221		
	MATERIAL NO. DOCUMENT NO.		SHEET NO. 1 OF 2		

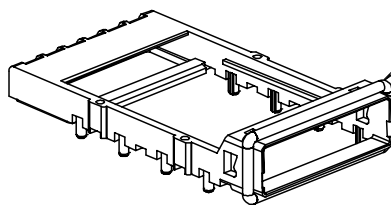


1. SEE DRAWING SD-74441-001 FOR HOST CONNECTOR LAYOUT DETAIL.
2. THESE HOLES CAN BE OMITTED, THEY ARE NOT NEEDED FOR THIS RAIL VERSION.
3. PLATED HOLES CAN BE HASL, GOLD OR SILVER IMMERSION.
4. PCB LAYOUT SHOWN IS FOR SINGLE SIDED MOUNTING ONLY.
5. BELLY TO BELLY MOUNTING REQUIRES ABOVE LAYOUT MIRRORED ON OPPOSITE SIDE OF PCB AND THE SECONDARY BEZEL OPENING MUST ACCOMMODATE THE PCB THICKNESS VARIATION.

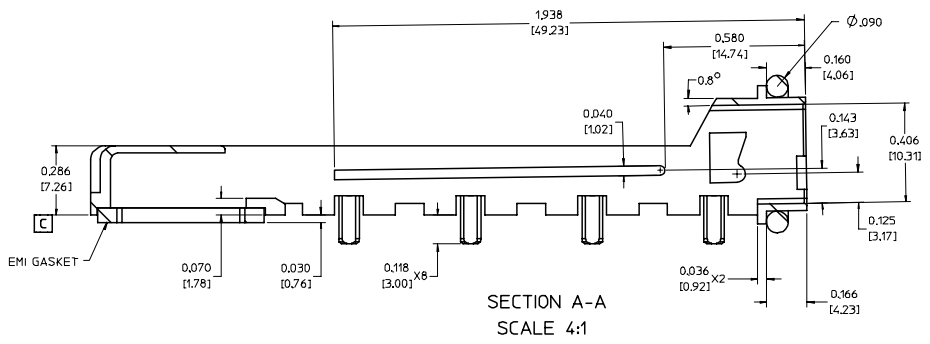
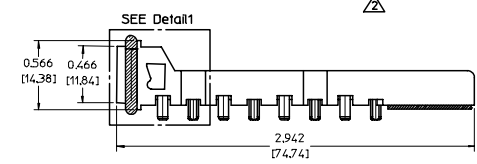
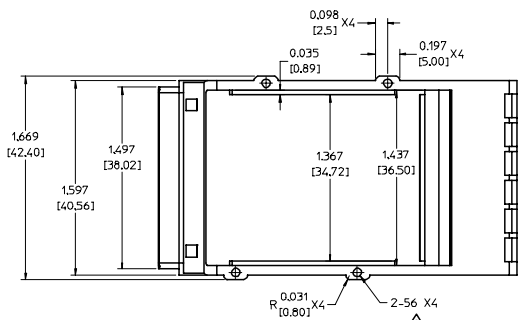
ENTER DESCRIPTION EC NO: USY2009-0082 DRAWN: JERWIN 2008/09/11 CHKD: KLLLOYD 2008/09/12 APPR: RMAHMOOD 2008/09/15	QUALITY SYMBOLS =0 =0	GENERAL TOLERANCES (UNLESS SPECIFIED): mm INCH		DIMENSION STYLE IN/MM	SCALE 2:1	DESIGN UNITS INCH	THIRD ANGLE PROJECTION		
		4 PLACES ± --- ± ---	DRAWN BY KLLLOYD	DATE 2002/05/01	TITLE XPAK GUIDE RAIL ASSEMBLY (SALES) W/ MILLED SIDE				
		3 PLACES ± --- ± .005	CHECKED BY BRUSSELL	DATE 2002/05/01	MOLEX INCORPORATED				
		2 PLACES ± 0.13 ± .010 1 PLACE ± 0.25 ± ---	APPROVED BY BRUSSELL	DATE 2002/05/01					
ANGULAR ± 1/2°		DRAFT WHERE APPLICABLE MUST REMAIN WITHIN DIMENSIONS		MATERIAL NO. SEE CHART	DOCUMENT NO. SD-74732-221	SHEET NO. 2 OF 2			
THIS DRAWING CONTAINS INFORMATION THAT IS PROPRIETARY TO MOLEX INCORPORATED AND SHOULD NOT BE USED WITHOUT WRITTEN PERMISSION									



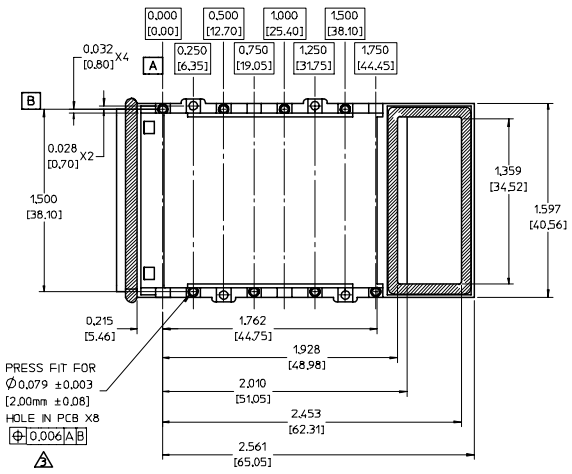
EMI GASKET TO PCB



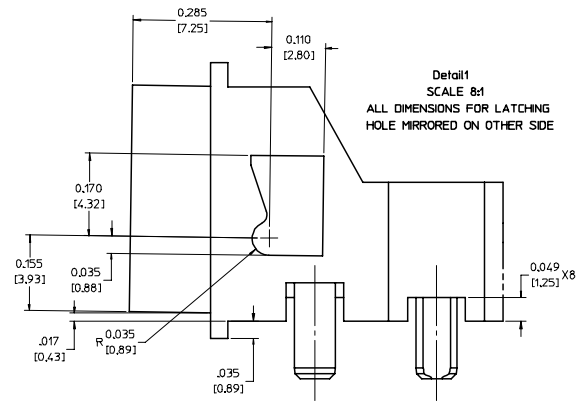
EMI GASKET FOR FRONT PANEL



SECTION A-A
SCALE 4:1



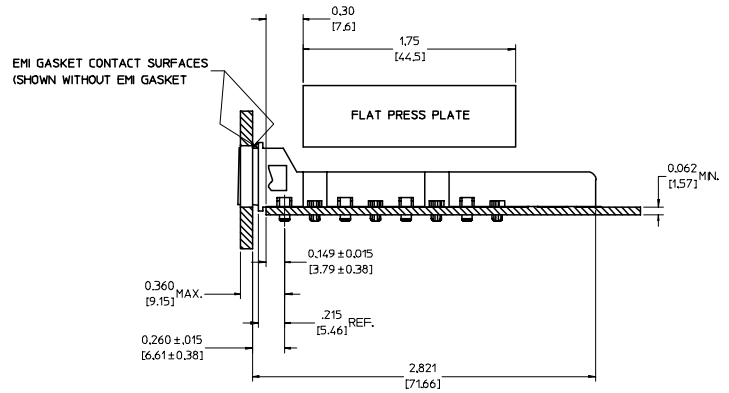
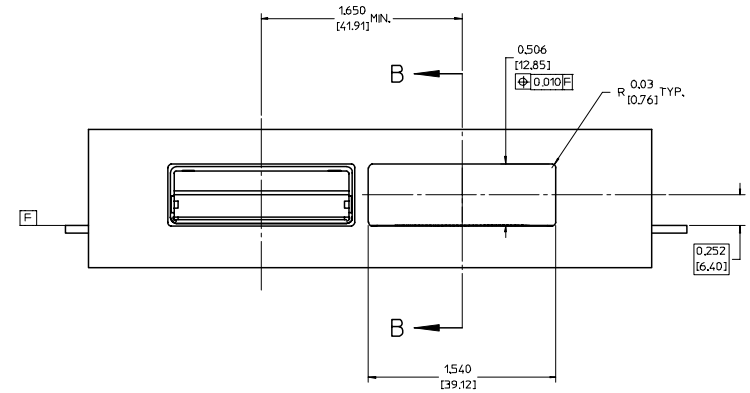
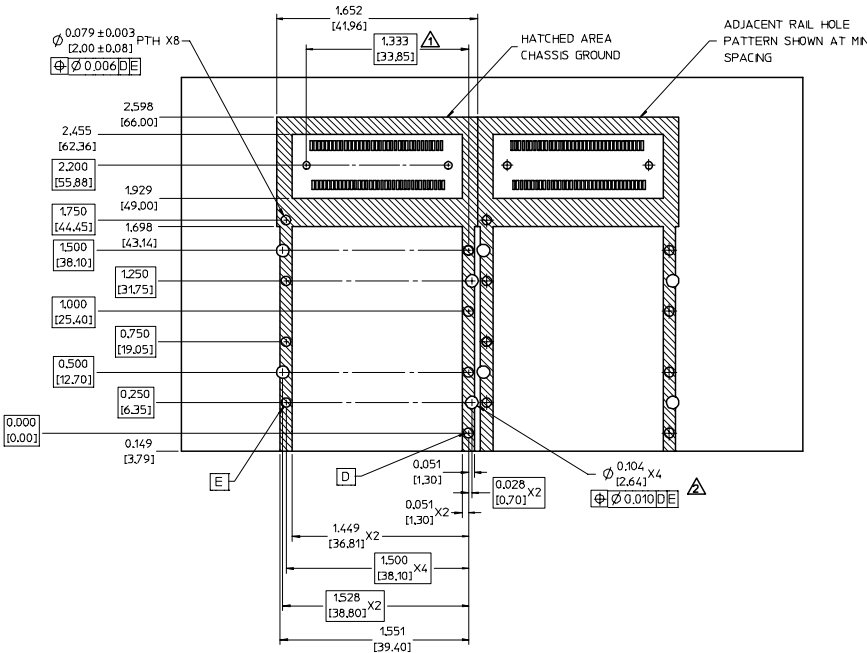
PRESS FIT FOR
Ø 0.079 ± 0.003
[2.00mm ± 0.08]
HOLE IN PCB X8
Ⓢ 0.006 [A] B



Detail 1
SCALE 8:1
ALL DIMENSIONS FOR LATCHING
HOLE MIRRORED ON OTHER SIDE

1. MATERIAL: NICKEL PLATED ZINC ALLOY DIECAST
2. HOLE TAPPED FOR 2-56 SCREW. SCREW USE IS OPTIONAL
3. FOR USE WITH HASL, GOLD OR SILVER IMMERSION FINISHED PTH
4. THESE DIMENSIONS EXCEED MSA MAXIMUM.
5. MINIMUM PCB THICKNESS FOR PRESS FIT ON ONE SIDE 0.062 [1.57]
6. MINIMUM PCB THICKNESS FOR BELLY TO BELLY 0.090 [2.29]

EC NO: USY2006-0482 DRWN: JERWIN 2006/07/06 CHKD: BRUSSELL 2006/07/06 APPR: BRUSSELL 2006/07/06	QUALITY SYMBOLS 0.0 0.1	GENERAL TOLERANCES (UNLESS SPECIFIED)		SCALE 2:1	DESIGN UNITS INCH	THIRD ANGLE PROJECTION	REVISE ON CAD ONLY	
		4 PLACES ± --- ± --- 3 PLACES ± --- ± .005 2 PLACES ± 0.13 ± .010 1 PLACE ± 0.25 ± ---	DIMENSION STYLE IN/MM	DRAWN BY JERWIN DATE 2006/06/23	CHECKED BY B.RUSSELL DATE 2006/06/23	TITLE XPAK GUIDE RAIL ASSEMBLY (SALES)	Molex MOLEX INCORPORATED	MATERIAL NO. 747320220
DRAFT WHERE APPLICABLE MUST REMAIN WITHIN DIMENSIONS	APPROVED BY B.RUSSELL DATE 2006/06/23	THIS DRAWING CONTAINS INFORMATION THAT IS PROPRIETARY TO MOLEX INCORPORATED AND SHOULD NOT BE USED WITHOUT WRITTEN PERMISSION						



SECTION B-B

- SEE DRAWING SD-74441-001 FOR HOST CONNECTOR LAYOUT DETAIL.
- FINISHED THROUGH HOLE DIAMETER. CAN BE PLATED OR NON-PLATED.
- PLATED HOLES CAN BE HASL, GOLD OR SILVER IMMERSION.
- PCB LAYOUT SHOWN IS FOR SINGLE SIDED MOUNTING ONLY.
- BELLY TO BELLY MOUNTING REQUIRES ABOVE LAYOUT MIRRORED ON OPPOSITE SIDE OF PCB AND THE SECONDARY BEZEL OPENING MUST ACCOMMODATE THE PCB THICKNESS VARIATION.

EC NO: USY2006-0482 DRWN: JERWIN 2006/07/06 CHKD: BRUSSELL 2006/07/06 APPR: BRUSSELL 2006/07/06	QUALITY SYMBOLS	GENERAL TOLERANCES (UNLESS SPECIFIED)	SCALE 2:1	DESIGN UNITS INCH	THIRD ANGLE PROJECTION	REVISE ON CAD ONLY
	DESCRIPTION 0 0	4 PLACES ± --- ± --- 3 PLACES ± --- ± .005 2 PLACES ± 0.13 ± .010 1 PLACE ± 0.25 ± --- ANGULAR ± 1/2°	DIMENSION STYLE IN/MM DRAWN BY JERWIN DATE 2006/06/23 CHECKED BY B.RUSSELL DATE 2006/06/23 APPROVED BY B.RUSSELL DATE 2006/06/23	TITLE XPAK GUIDE RAIL ASSEMBLY (SALES)		
		DRAFT WHERE APPLICABLE MUST REMAIN WITHIN DIMENSIONS		MATERIAL NO. 747320220 DOCUMENT NO. SD-74732-223 SHEET NO. 2 OF 2		
		THIS DRAWING CONTAINS INFORMATION THAT IS PROPRIETARY TO MOLEX INCORPORATED AND SHOULD NOT BE USED WITHOUT WRITTEN PERMISSION				