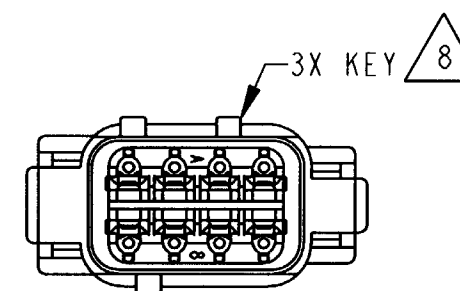
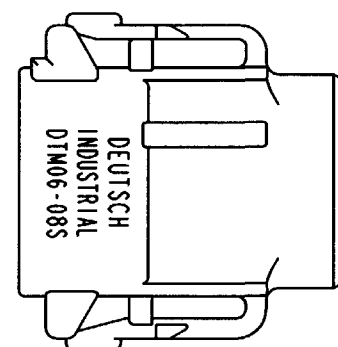


HIGH TEMPERATURE IDENTIFIER



REV
NC DTM06-08S*EE04


REVISIONS			
SYM	DESCRIPTION	DATE	APPROVED
NC	NEW RELEASE PER E.O. P19884	6-16-08	RDR

8. SEE SHEET 2 FOR OTHER KEY ARRANGEMENTS.
7. PART MODIFICATION: PLUG IS RATED AT 150°C (COLOR: BLACK).
6. MATERIAL - HOUSING: PLASTIC; GROMMET: RUBBER.
5. CONNECTOR DESIGNED TO BE USED WITH DTM04-08P*-**** RECEPTACLES.
 (*) = A,B,C,D KEYS, (****) = ALL HIGH TEMPERATURE MODIFICATIONS.
 CONSULT FACTORY FOR MODIFICATIONS.
4. FOR CONTACT AND WIRE PERFORMANCE AND APPLICATION CHARACTERISTICS SEE ENVELOPE DRAWING 0425-015-0000.
3. SECONDARY WEDGE LOCK SOLD SEPARATELY: WM-8S.
2. DIMENSION TOLERANCE: ±.025 [.64].
1. DIMENSIONS ARE IN INCHES [mm].
- NOTES: UNLESS OTHERWISE SPECIFIED

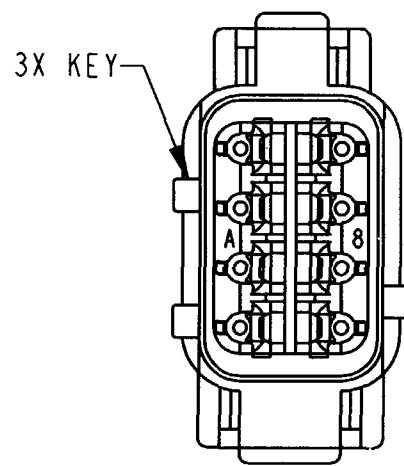
CONTACT SIZE	MIN. INSUL. O.D.	MAX. INSUL. O.D.	WIRE RANGE [mm ²] REF ONLY
20	.053 [1.35]	.120 [3.05]	16-22 AWG [1.0-0.5]

SIGNATURE & DATE	
DR	P. CARNAHAN 6/4/08
CHK	D. MEYER 6/16/08
PE	PAUL KARNEL 6/13/08
APPD	D. MEYER 6/16/08
SCALE	NONE

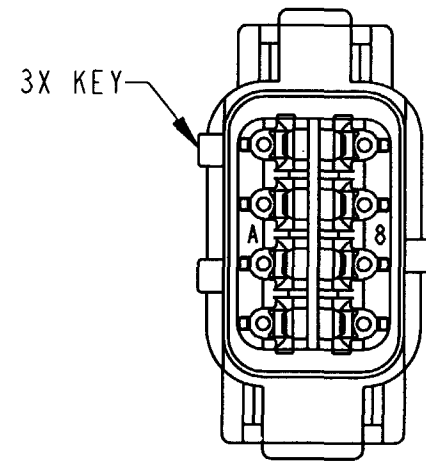
PLUG
8 CONTACTS, SIZE 20
A,B,C,D KEYS
-EE04 MOD
DTM SERIES
ENVELOPE

EP 172	MATL. CODE
 3850 INDUSTRIAL AVE. HEMET, CA 92545 DEUTSCH INDUSTRIAL	
B DTM06-08S*EE04	
DWG SIZE	CODE 11139 SHEET 1 OF 2

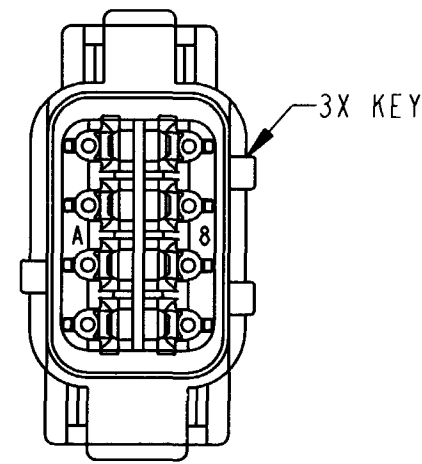
REV		REVISIONS		
NC	SYM	DESCRIPTION	DATE	APPROVED
	NC	SEE SHEET 1	6-16-08	ADR



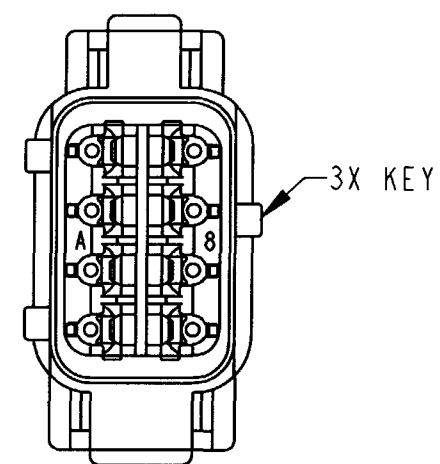
DTM06-08SA-EE04
KEY -A-
COLOR: BLACK



DTM06-08SB-EE04
KEY -B-
COLOR: BLACK



DTM06-08SC-EE04
KEY -C-
COLOR: BLACK



DTM06-08SD-EE04
KEY -D-
COLOR: BLACK

NOTES:

SIGNATURE & DATE		PLUG 20 CONTACTS, SIZE 20 A, B, C, D KEYS -EE04 MOD DTM SERIES	EP 172	MATL. CODE
DR	P. CARNAHAN 5/1/08		3850 INDUSTRIAL AVE. HEMET, CA 92545	
CHK	D. MEYER 6/16/08			
PE	Paulo Carnahan 6/13/08			
APPD	D. MEYER 6/16/08		DTM06-08S*-EE04	
SCALE	NONE	ENVELOPE	DWG SIZE	CODE 11139 SHEET 2 OF 2