

Thermofit[®] Molded Parts

Specification Control Drawing

Part Number : 202A222-4-02/42

Description : BOOT, STRAIGHT

LIMITED DISTRIBUTION

NOTES

- ALL DIMENSIONS ARE IN $\frac{\text{INCHES}}{\text{(MILLIMETERS)}}$
- DIMENSIONS APPEARING IN TABLE ARE AS FOLLOWS:
 a - AS SUPPLIED
 b - AFTER UNRESTRICTED RECOVERY
- COATING IS STANDARD. AS SUPPLIED DIMENSIONS APPEARING IN TABLE ARE FOR UNCOATED PARTS. WHEN COATING IS ADDED, ENTRY DIAMETERS WILL BE REDUCED BY .06 MAX..
- PART IS CUT OFF & COATED.

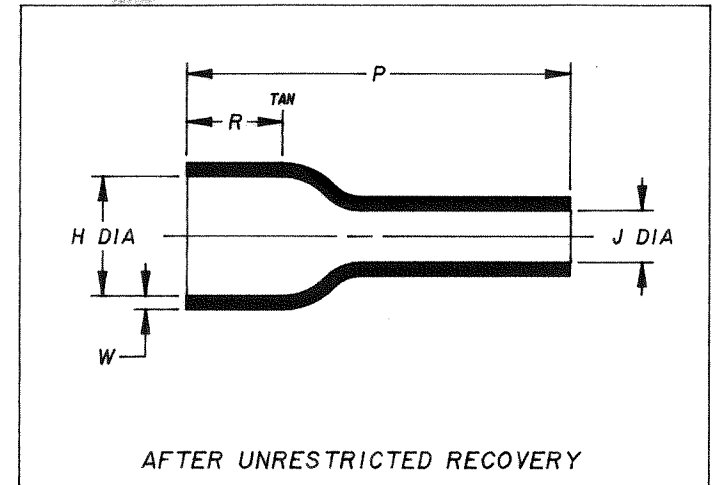
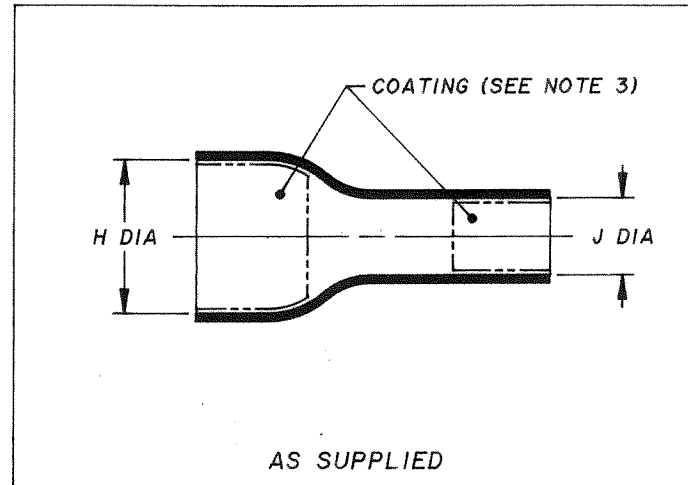


TABLE OF DIMENSIONS							
PART NUMBER	H		J		P	R	W
	Min	Max	Min	Max	±10%	±10%	±20%
	a	b	a	b	b	b	b
202A222-4-02	.88 (22,4)	.62 (15,7)	.48 (12,2)	.27 (6,9)	4.00 (101,6)	.62 (15,7)	.08 (2,03)

Raychem

RAYCHEM CORPORATION
 300 CONSTITUTION DRIVE
 MENLO PARK, CALIFORNIA 94025
 (415) 361-6055

If this document is printed it becomes uncontrolled.
 Check for the latest revision.

Revision : NEW
 Date : 10/5/84

Part Number : 202A222-4-02/42
 Description : BOOT, STRAIGHT