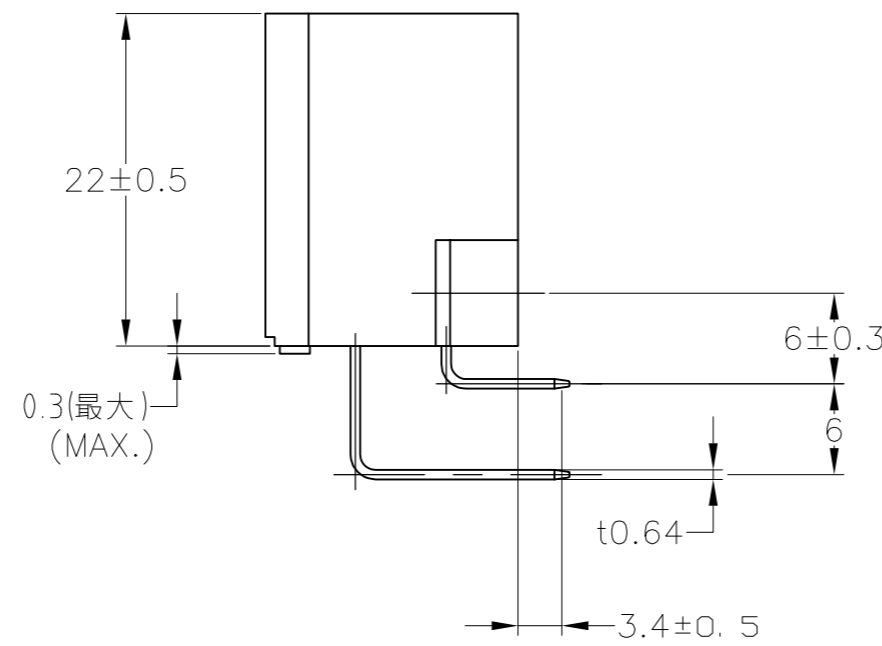
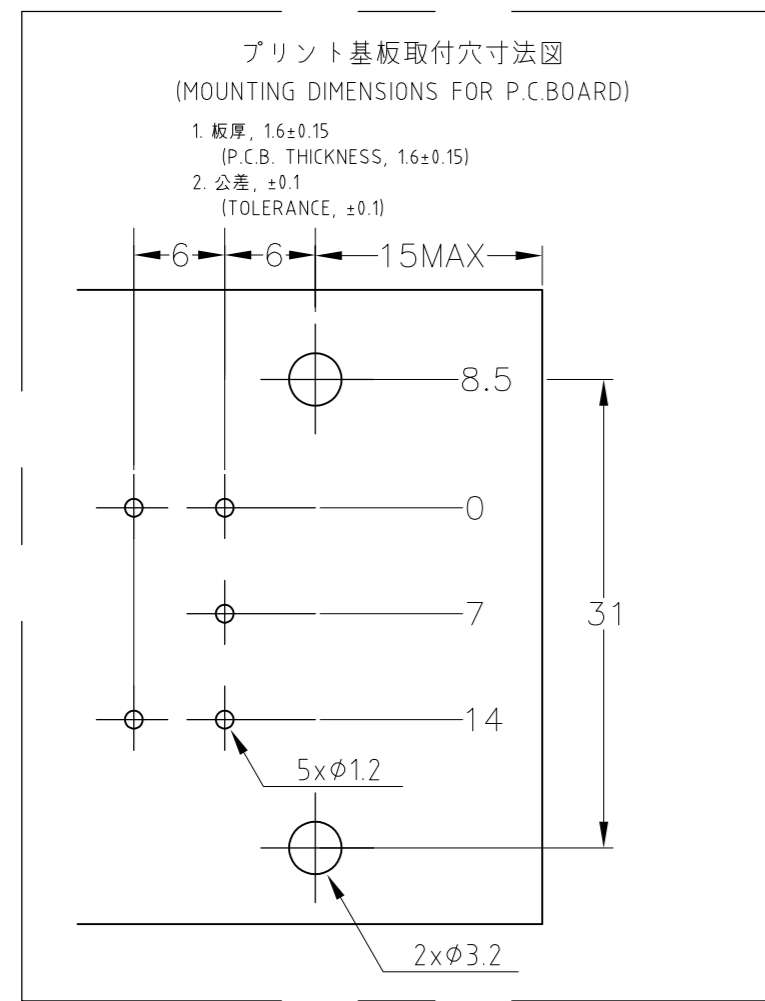
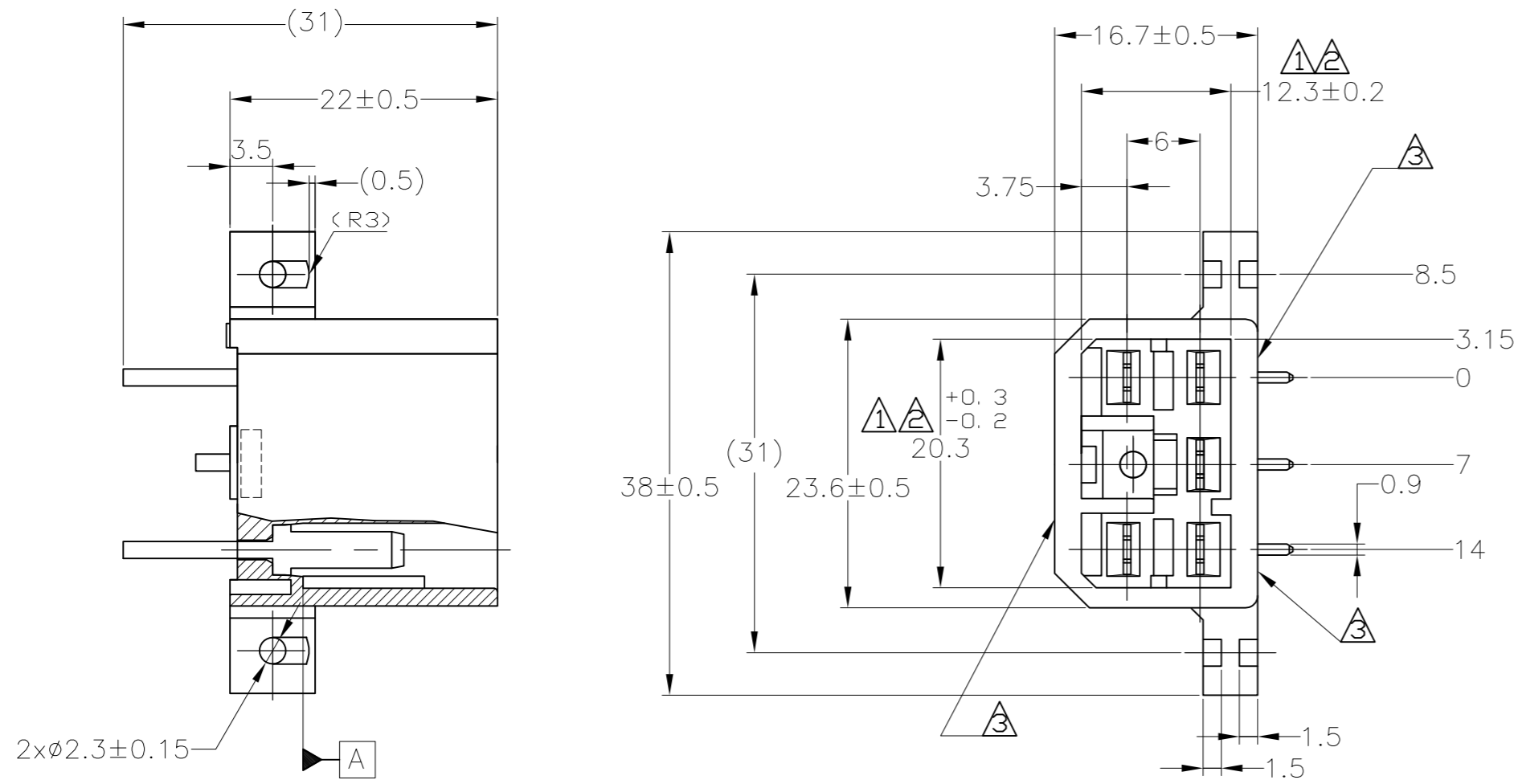
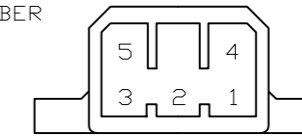


THIS DRAWING IS UNPUBLISHED. RELEASED FOR PUBLICATION
 © COPYRIGHT 2016 By Tyco Electronics Japan G.K. ALL RIGHTS RESERVED.

REVISIONS					
P	LTR	DESCRIPTION	DATE	DWN	APVD
G5		OBsolete -8,1--5 ECR-16-003014	16AUG16	KF	HY

- 注記:
- △ A 面より2mmの範囲で測定のこと。
 - △ 相手ハウジングと所定の機能を満たしてかん合できること。
 - △ フードの反りは0.2以内。
 - 4 推奨取付けねじ; JIS B 1115 又は、1122 タッピンねじ
なべ1種又は2種、呼び径3長さ6mm以下
(締め付けトルク: 39.2N 以下)
 - 5 適用製品規格 No.108-5093
 - 6 相手ハウジングとのかん合力は、29.4N以下
但し、リセプタクルコンタクトは含まない。
 - △ タブなしタイプ(表参照)回路番号下図参照のこと。

- NOTES:
- △ TO BE MEASURED WITHIN 2mm FROM A
 - △ IN COUPLING WITH THE PLUG HOUSING MATING SATISFIES FUNCTION
 - △ WARPAGE 0.2 MAX.
 - 4 RECOMMENDED MOUNTING SCREW; 3mmDIA, 6mmLENGTH(MAX.)
PAN HEAD, CLASS 1 AND 2 TAPPING SCREW SPECIFIED IN JIS B1115, B1122 (TIGHTENING TORQUE; 39.2N MAX.)
 - 5 SPEC. No. 108-5093
 - 6 IN COUPLING WITH THE PLUG HOUSING MATING FORCE 29.4N MAX WITHOUT RECEPTACLE CONTACT
 - △ NON TAB CONTACT'S TYPE (SEE TABLE)
CIRCUIT NUMBER



PLC	FINISH	CONTACT FINISH	COLOR	PART NUMBER
--/--	SELECTIVE-TIN (MATTE)	SELECTIVE GOLD (0.76 μm MIN.)	NATURAL	5172040-8
--/--	SELECTIVE-TIN (MATTE)	SELECTIVE GOLD (0.38 μm MIN.)	NATURAL	1-5172040-5
2	PRE-TIN	PRE-TIN	NATURAL	2-172040-1
OBsolete	TIN-LEAD	SELECTIVE GOLD (0.38 μm MIN.)	GREEN	1-172040-8
OBsolete	TIN-LEAD	SELECTIVE GOLD (0.38 μm MIN.)	NATURAL	1-172040-5
OBsolete	TIN-LEAD	SELECTIVE GOLD (0.76 μm MIN.)	YELLOW	1-172040-4
OBsolete	TIN-LEAD	SELECTIVE GOLD (0.76 μm MIN.)	GRAY	1-172040-3
OBsolete	TIN-LEAD	SELECTIVE GOLD (0.76 μm MIN.)	BLUE	1-172040-2
OBsolete	TIN-LEAD	SELECTIVE GOLD (0.76 μm MIN.)	GREEN	1-172040-1
OBsolete	TIN-LEAD	SELECTIVE GOLD (0.76 μm MIN.)	BROWN	1-172040-0
OBsolete	TIN-LEAD	SELECTIVE GOLD (0.76 μm MIN.)	BLACK	172040-9
OBsolete	TIN-LEAD	SELECTIVE GOLD (0.76 μm MIN.)	NATURAL	172040-8
OBsolete	PRE-TIN	PRE-TIN	YELLOW	172040-7
OBsolete	PRE-TIN	PRE-TIN	BLUE	172040-5
OBsolete	PRE-TIN	PRE-TIN	GREEN	172040-4
OBsolete	PRE-TIN	PRE-TIN	BROWN	172040-3
OBsolete	PRE-TIN	PRE-TIN	BLACK	172040-2
OBsolete	PRE-TIN	PRE-TIN	NATURAL	172040-1
△ NON TAB PLACES タブなし箇所	SOLDERING SIDE 半田付け部	CONTACT SIDE 接触部側	COLOR 色	PART NUMBER 製品型番
CONTACT FINISH コンタクト仕上				

THIS DRAWING IS A CONTROLLED DOCUMENT.

DWN: T.SHINOHARA 31AUG07
 CHK: K.BETSUI 31AUG07
 APVD: K.BETSUI 31AUG07

TE Connectivity

5P HORIZONTAL TYPE CAP HOUSING ASS'Y
 MULTI-INTERLOCK CONN. (WIRE TO P.C.B.)

PRODUCT SPEC: 108-5093
 APPLICATION SPEC: 取付適用規格

SIZE: A2 CAGE CODE: 00779 DRAWING NO: 172040
 WEIGHT: 6.4 g

SCALE: 2:1 SHEET: 1 of 1 REV: G5

MATERIAL: HSG: 66 NYLON CONTACT: BRASS
 FINISH: 仕上

TOLERANCE UNLESS OTHERWISE SPECIFIED: 一般公差
 0 <= x <= 10 : ±0.2
 10 <= x <= 30 : ±0.25
 30 <= x <= 100 : ±0.3
 ANGLE : ±3°