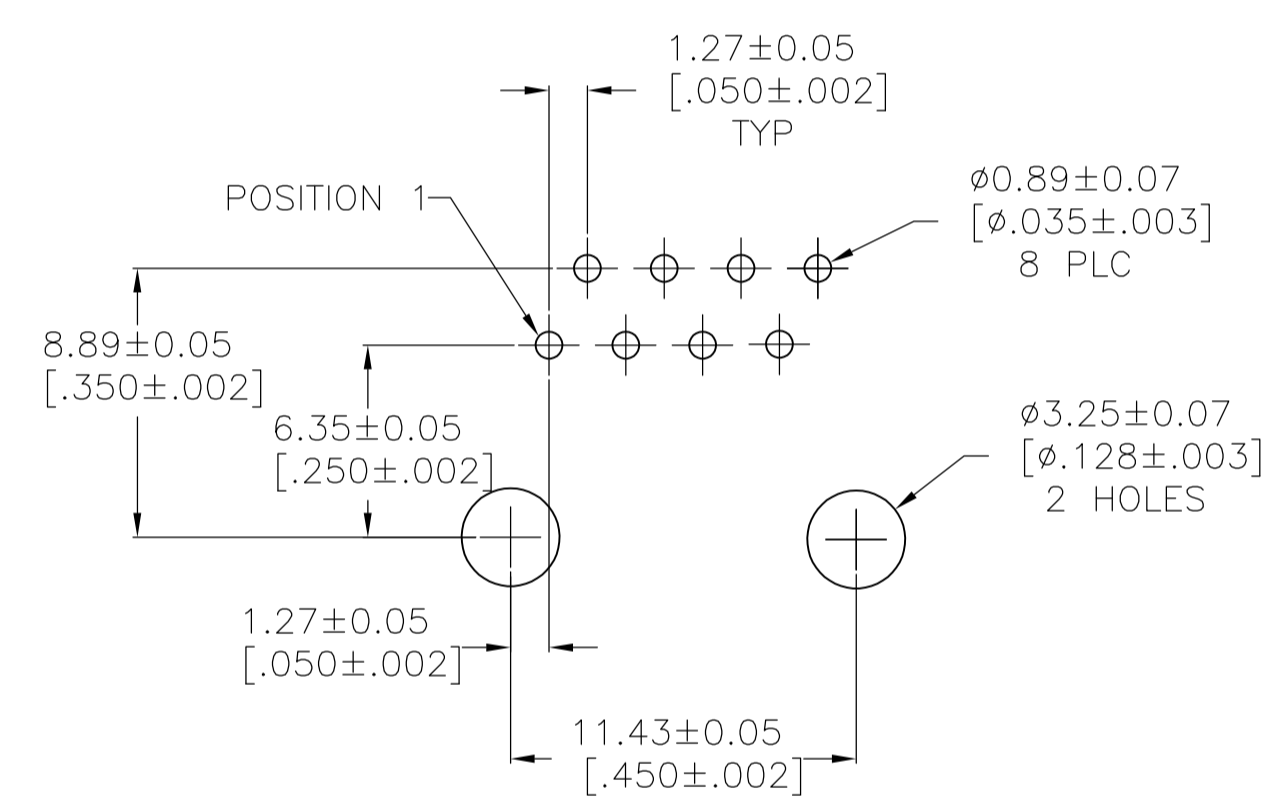
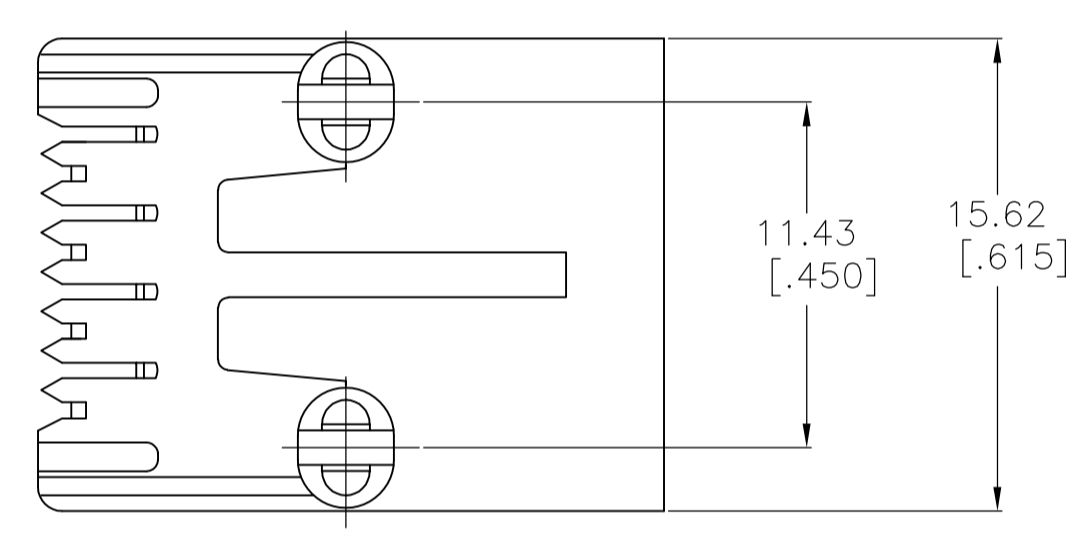


RECOMMENDED PANEL CUTOUT



RECOMMENDED PRINTED CIRCUIT BOARD LAYOUT COMPONENT SIDE SHOWN

- MATERIAL: HOUSING PBT POLYESTER, COLOR: BLACK. TERMINAL-0.36 [.014] THICK PHOS-BRONZE PLATED WITH 1.27um [.000050] MINIMUM THICK HARD GOLD IN LOCALIZED GOLD PLATE AREA AND 3.81um [.000150] MINIMUM THICK MATTE TIN IN SOLDER AREA OVER 1.27um [.000050] MINIMUM THICK NICKEL UNDERPLATE.
- CAVITY CONFORMS TO FCC RULES AND REGULATIONS PART 68 AND REA BULLETIN 345-81, PE-76 SPECIFICATION FOR MODULAR TELEPHONE HARDWARE.
- ALL DIMENSIONS SHOWN ARE MAXIMUM UNLESS OTHERWISE SPECIFIED.

5554517-1  
PART NUMBER

THIS DRAWING IS A CONTROLLED DOCUMENT.		DIN	30AUG2007	Tyco Electronics Corporation	
DIMENSIONS: mm [INCHES]		CHK	30AUG2007	Harrisburg, PA 17105-3608	
TOLERANCES UNLESS OTHERWISE SPECIFIED:		APVD	30AUG2007	NAME	
0 PLC	± -	S. FLICKINGER		MODULAR JACK ASSEMBLY, SIDE ENTRY, 8 POSITION, KEYED, FLANGELESS, WITHOUT PANEL STOPS	
1 PLC	± -	S. FLICKINGER		PRODUCT SPEC	
2 PLC	± 0.13[.005]	S. FLICKINGER		108-1163	
3 PLC	± -	S. FLICKINGER		APPLICATION SPEC	
4 PLC	± -	S. FLICKINGER		114-2048	
ANGLES	± -	S. FLICKINGER		SIZE	
MATERIAL	SEE NOTE 1	FINISH	SEE NOTE 1	WEIGHT	RESTRICTED TO
				A1	00779
				CUSTOMER DRAWING	
				SCALE	4:1
				SHEET	1 OF 1
				REV	B