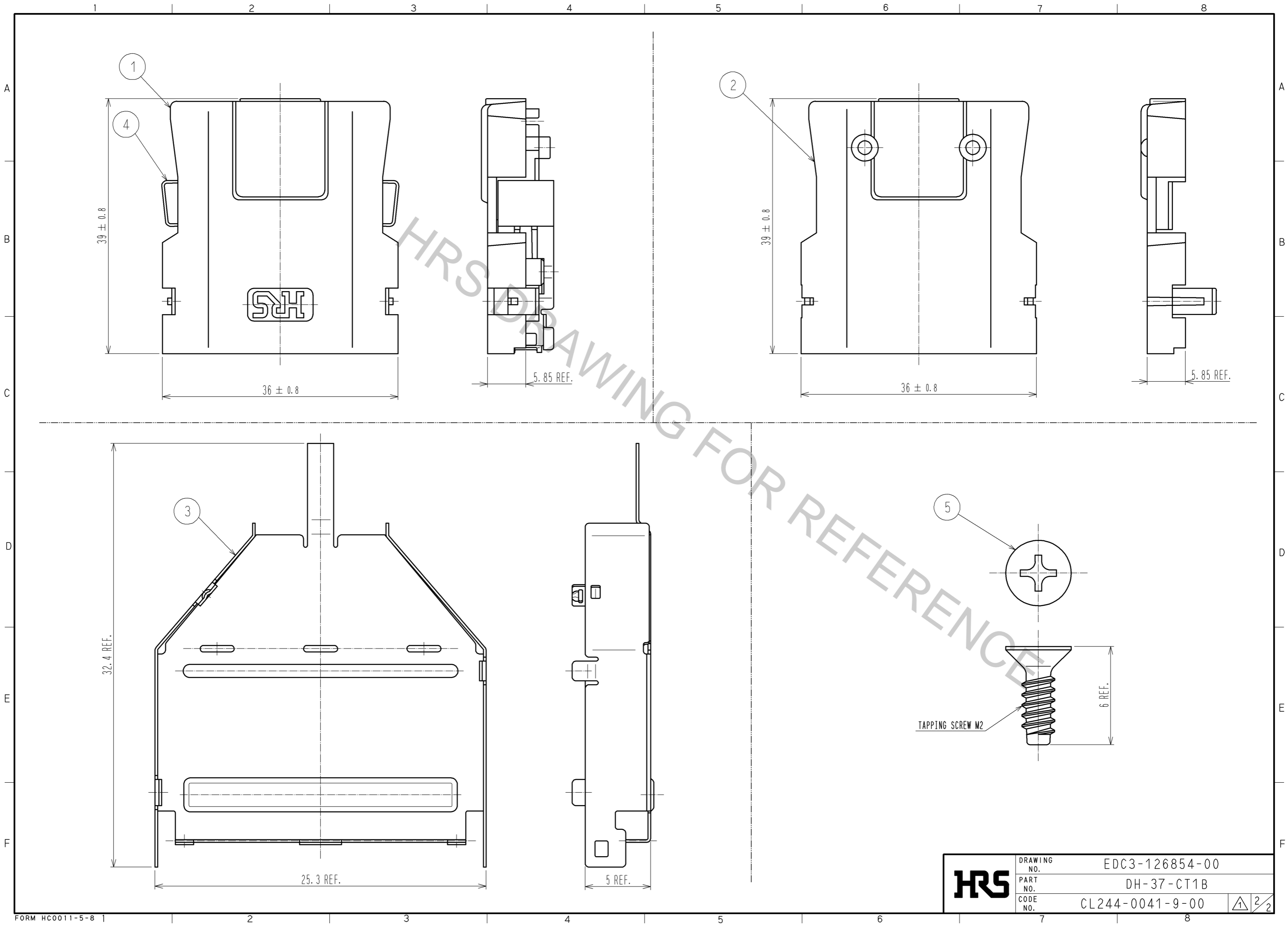


NOTE 1 THIS PRODUCT IS DELIVERED SEPARATELY.
 2 AS SHOWN IN THE FIGURE, THIS PRODUCT SHALL BE USED ASSEMBLED TO A CONNECTOR UNIT 'DH3*B-37S'. A CLAMP 'DH-37-CMBC(8.8)' IS NEEDED WHEN ASSEMBLING THE UNIT.
 3 A RECOMMENDED SCREW TIGHTENING FOR COVERS TO BE FROM 0.1 TO 0.15 N·m.

2	PC	UL94V-0 BLACK	5	STEEL	TRIVALENT BLACK CHROMATE		
1			4	STAINLESS STEEL			
			3	STAINLESS STEEL	PLATING : NICKEL 0.1 μ m MIN.		
NO.	MATERIAL	FINISH . REMARKS	NO.	MATERIAL	FINISH . REMARKS		
UNITS		SCALE	COUNT	DESCRIPTION OF REVISIONS	DESIGNED	CHECKED	DATE
mm		2 : 1	2	DIS-E-003061	TM. ONO	KN. ICHIKAWA	09.12.14
HRS HIROSE ELECTRIC CO., LTD.		APPROVED : A0. SUZUKI	09.04.28	DRAWING NO. EDC3-126854-00			
		CHECKED : KN. ICHIKAWA	09.04.28	PART NO. DH-37-CT1B			
		DESIGNED : MO. SHIMOYAMA	09.04.28	CODE NO. CL244-0041-9-00			
		DRAWN : MO. SHIMOYAMA	09.04.28			1/2	

Apr.1.2017 Copyright 2017 HIROSE ELECTRIC CO., LTD. All Rights Reserved.



HRS	DRAWING NO.	EDC3-126854-00	
	PART NO.	DH-37-CT1B	
	CODE NO.	CL244-0041-9-00	