

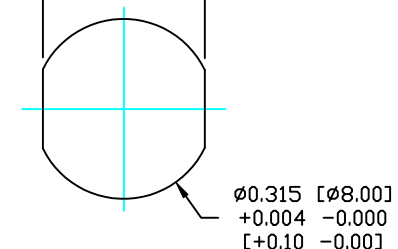
DESCRIPTION: M8 FEMALE - PANEL MOUNT (FRONT) - SOLDER CUP - 6 POS.

NOTE:

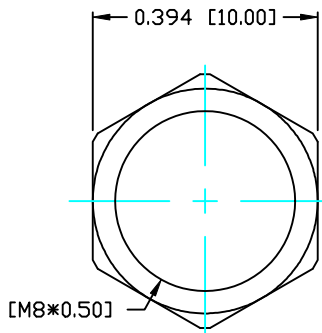
MATERIAL

HOUSING:	PBT UL94V-0, BLACK
CONTACT:	BRASS
SHELL:	BRASS
NUT:	BRASS
O-RING:	EPDM, BLACK
FINISH:	
CONTACT:	GOLD PLATED OVER 50µ" NICKEL NICKEL
SHELL:	
NUT:	NICKEL
ELECTRICAL	
RATED CURRENT:	3A
RATED VOLTAGE:	60V
INSULATION RESISTANCE:	100 MΩhms MIN.
CONTACT RESISTANCE:	10 MΩhms MAX.
WATER PROOF:	IP67
ENVIRONMENT	
OPERATION TEMPERATURE:	-40°C TO +85°C
WIRE GAUGE:	24-28 AWG

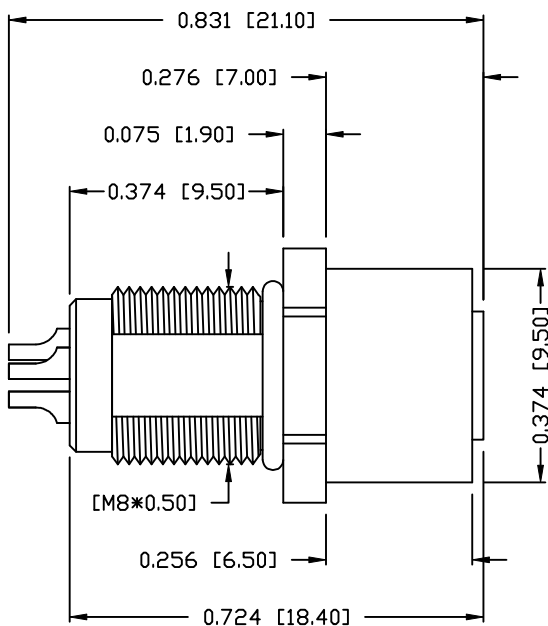
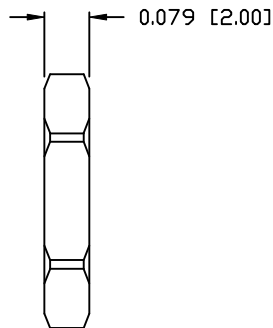
0.284 [7.20]
+0.004 -0.000
[+0.10 -0.00]



PANEL CUTOUT

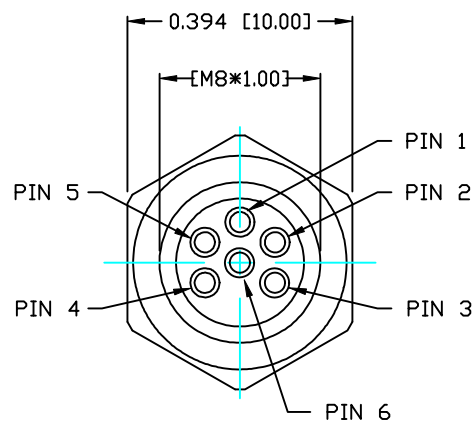


NUT



855-006-203R00Y

1 = GOLD FLASH
4 = 10µ" GOLD



RoHS COMPLIANT

DO NOT SCALE FROM DRAWING



THESE DRAWINGS AND SPECIFICATIONS ARE THE PROPERTY OF NorComp AND SHALL NOT BE REPRODUCED, COPIED OR USED AS THE BASIS FOR THE MANUFACTURE OR SALE OF APPARATUS WITHOUT WRITTEN PERMISSION.

DRAWN:
M. SIGMON

DATE:
03-04-16

CHECKED:

DATE:

NorComp

SCALE:
N.T.S.

SHEET **1** OF **1**

REV **1**

DWG NO.

855-006-203R00Y