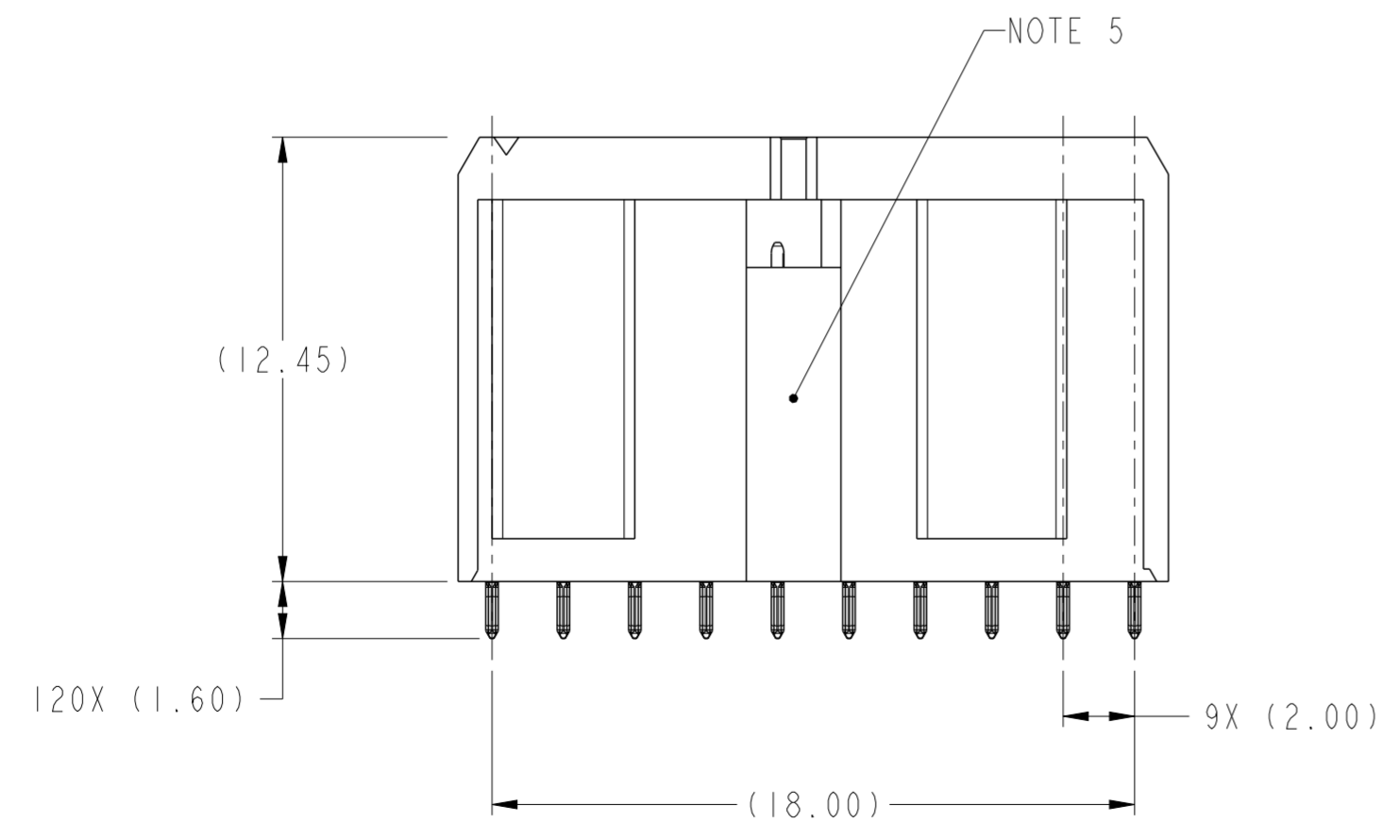
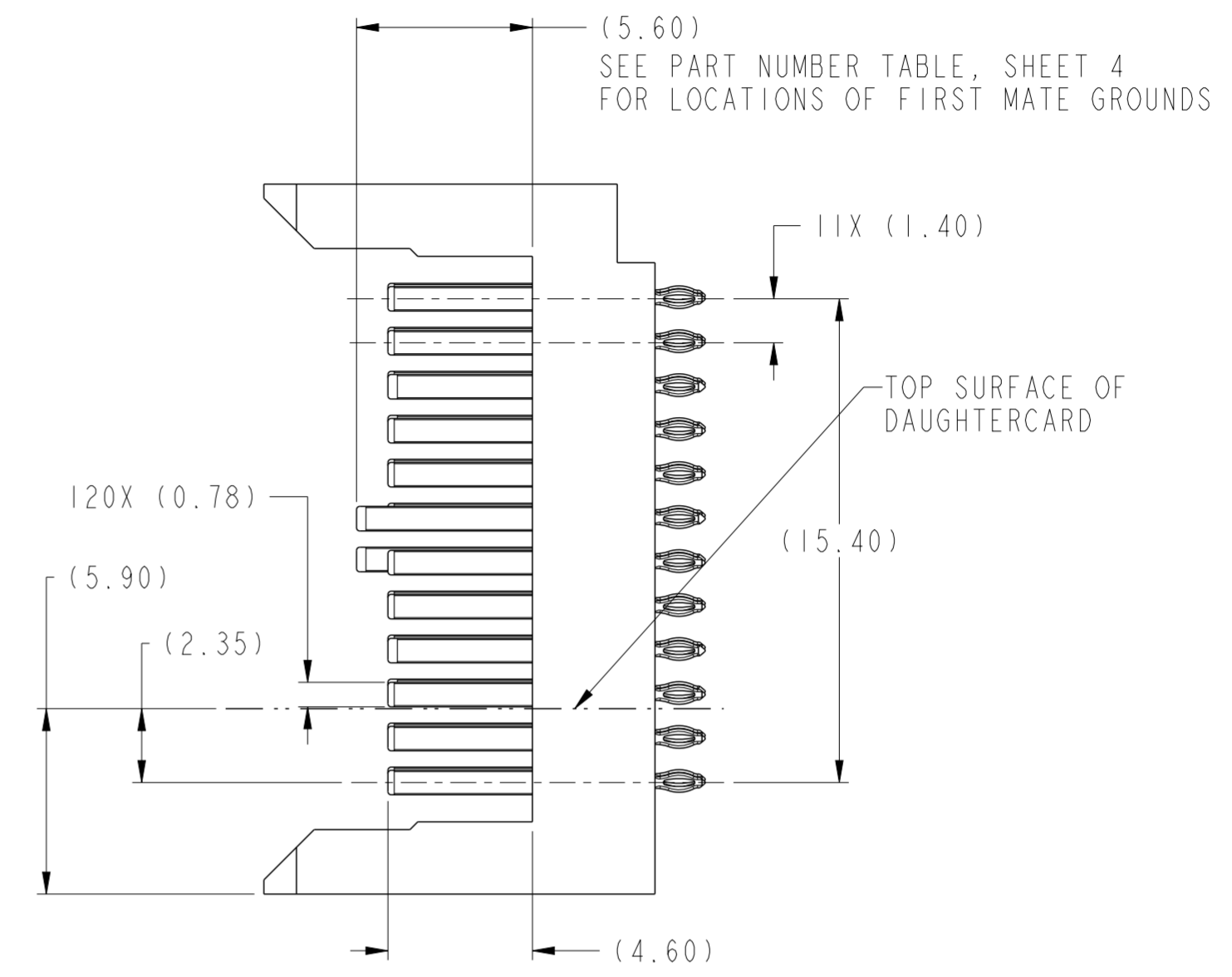
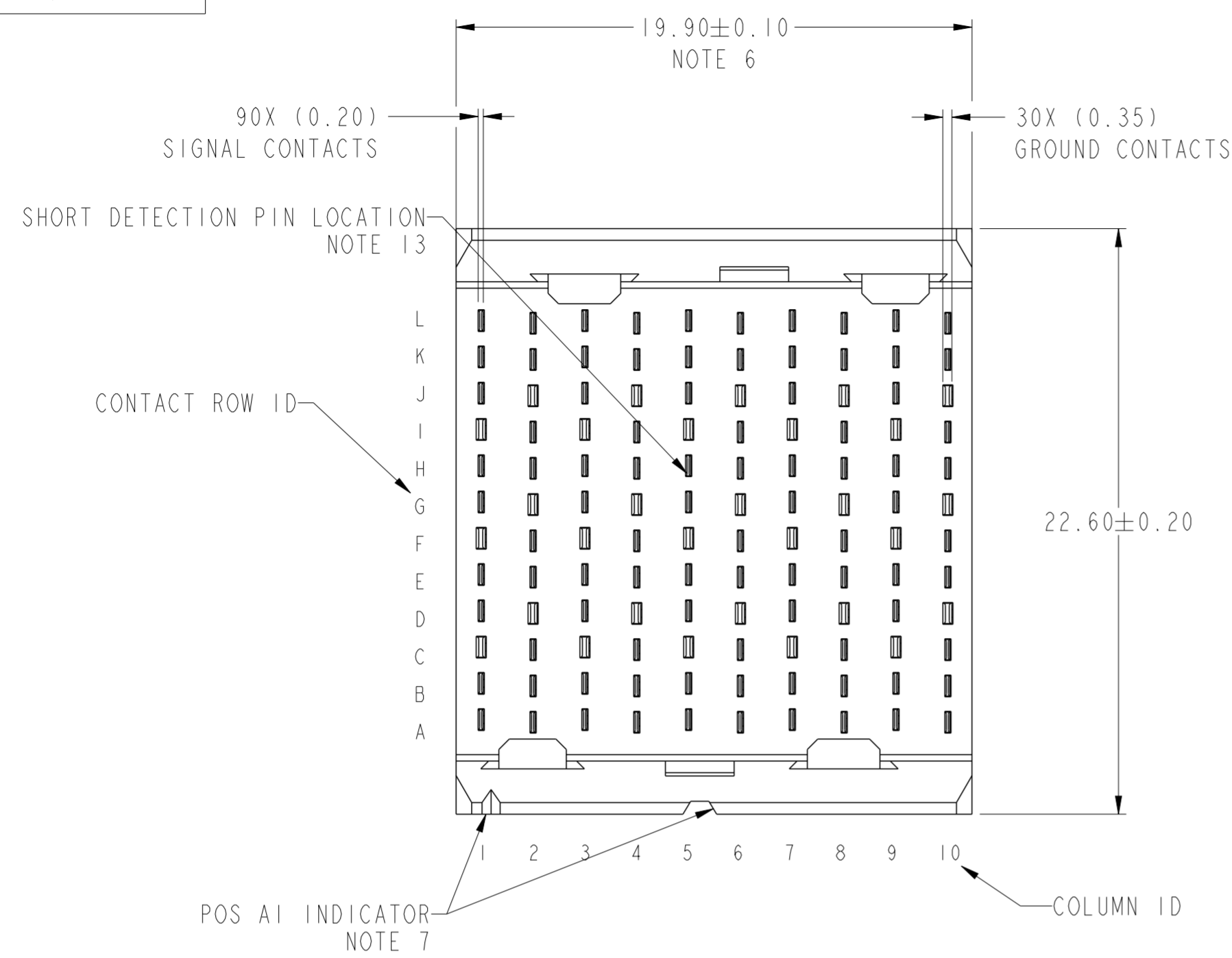


Product number
SEE TABLE, SHT 4

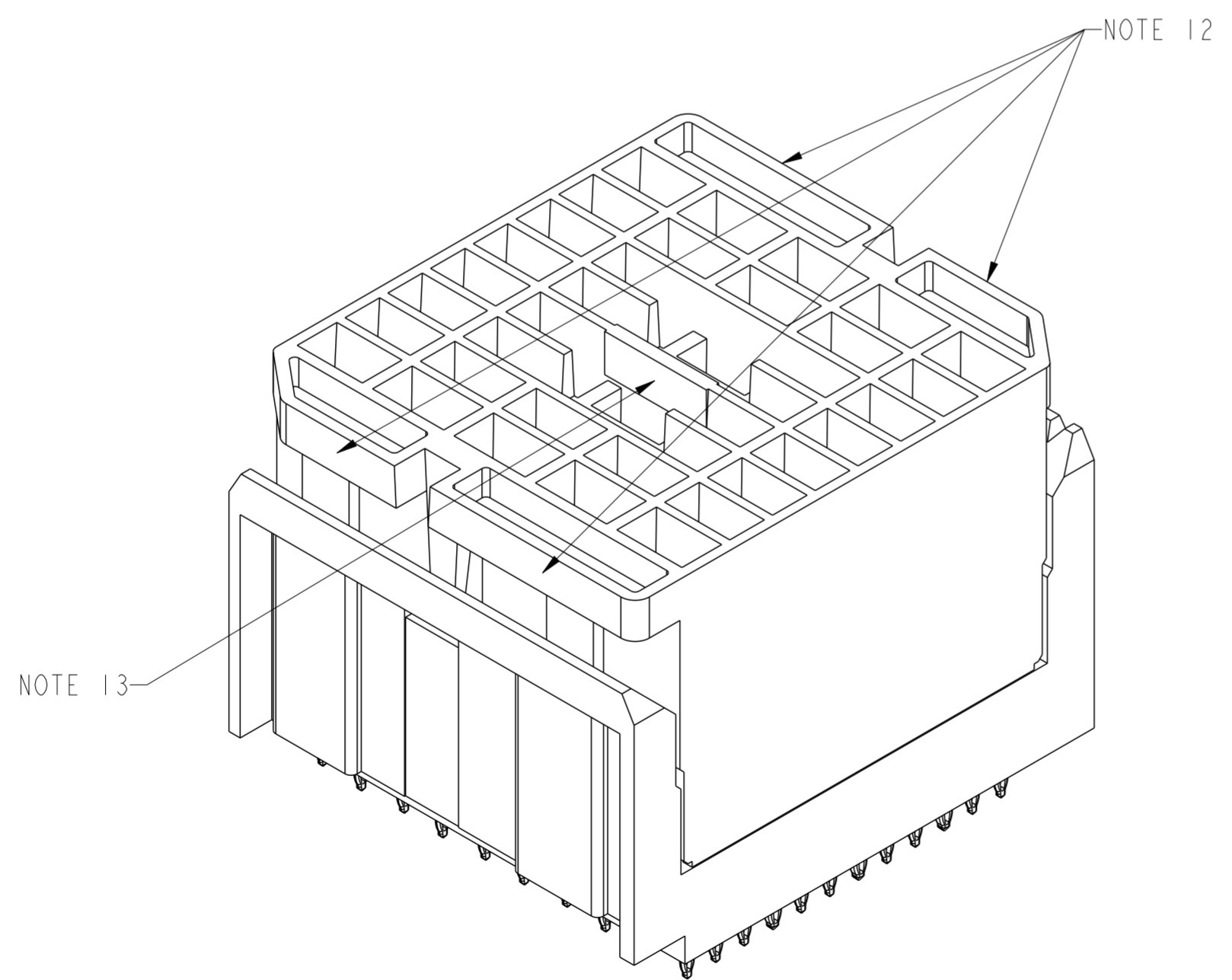
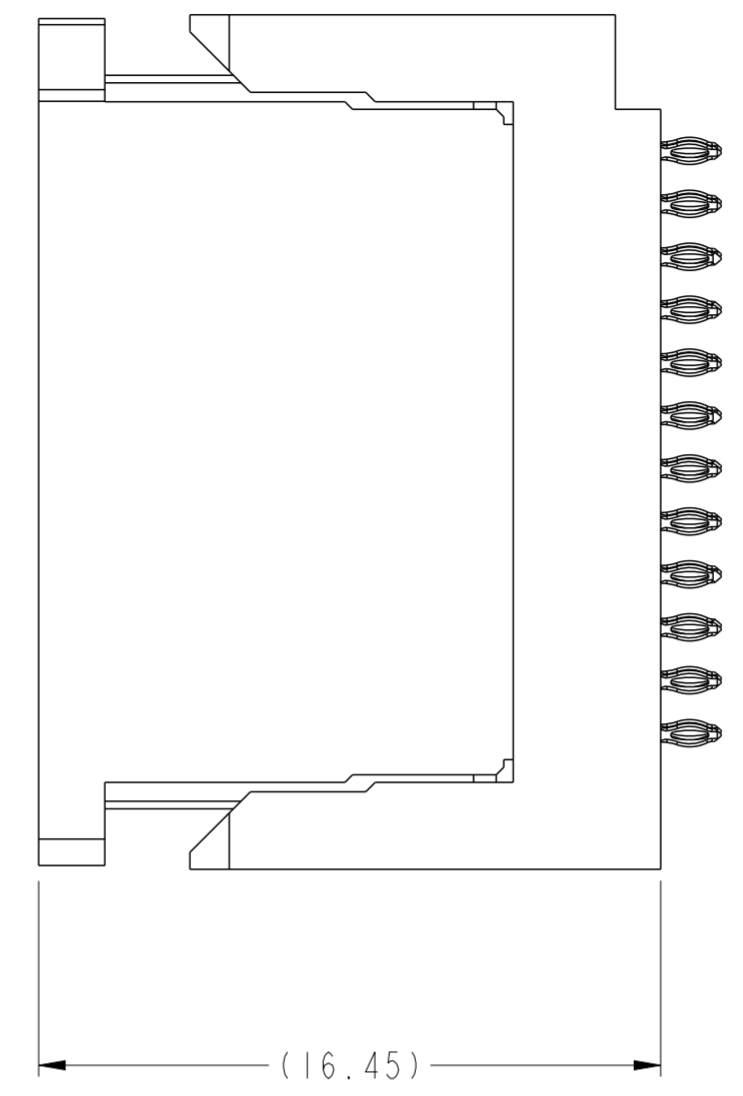
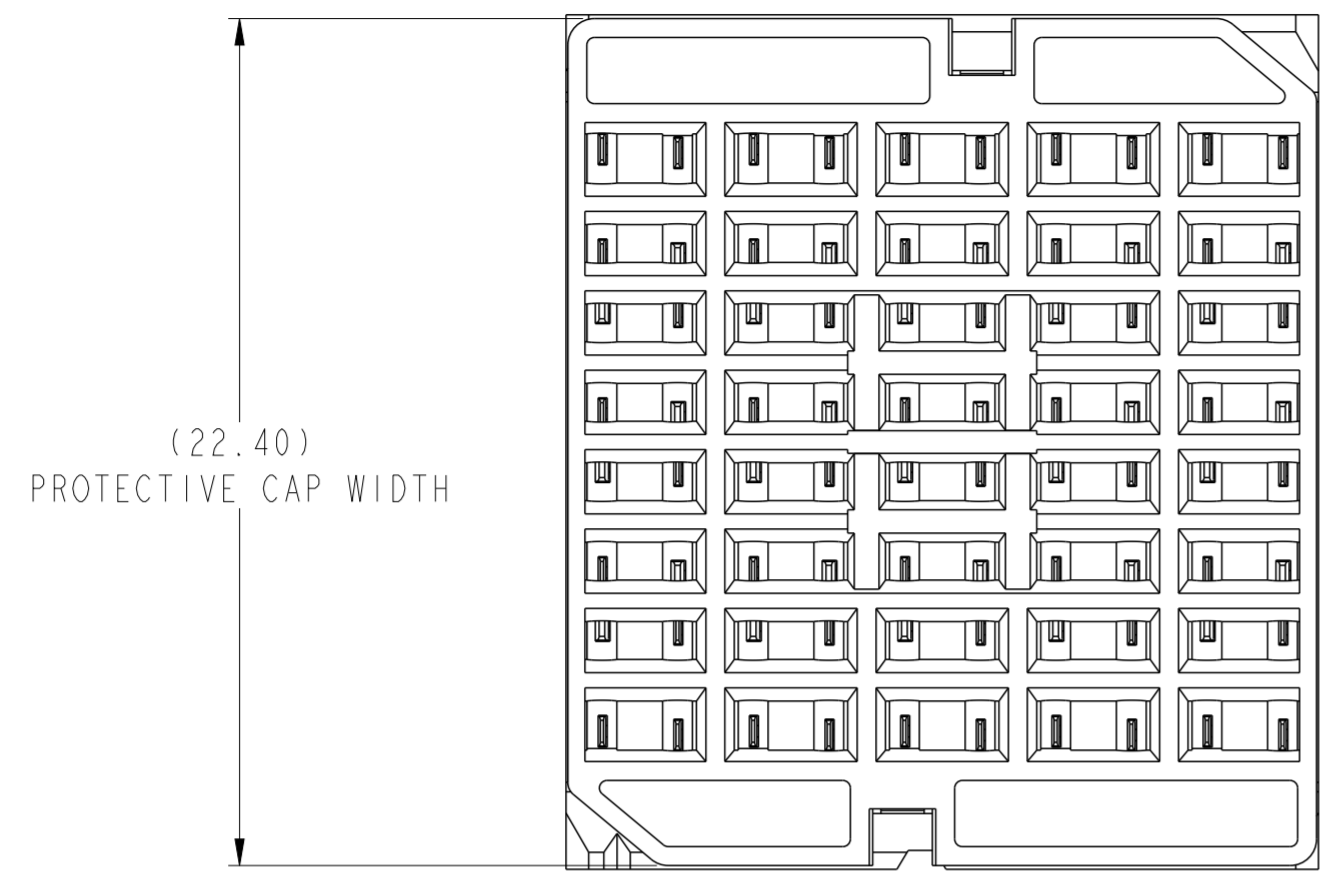


spec ref	-	dr	Sander Soe	2012/09/12	projection	MM	size	A2	scale	5:1
tolerance std	ASME Y14.5	eng	Tao Zhan	2014/10/23			ecn no	ELX-DG-18510-1		
TOLERANCES UNLESS OTHERWISE SPECIFIED		chr	-	rel level			Released			
surface	ASME Y14.5	appr	Collins Lu	2014/10/23			product family	AIRMAX VS	cat. no.	10122770
linear	0.X ±0.3	www.fci.com		title	AIRMAX VS2 VERTICAL HEADER		Product	Customer Drw		
angular	0° ±2°			cat. no.			sheet	1 of 4		

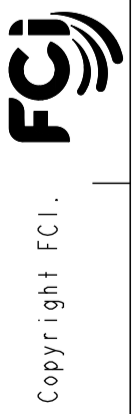
Copyright FCI. FCI

1 2 3 4 5 6 7 8

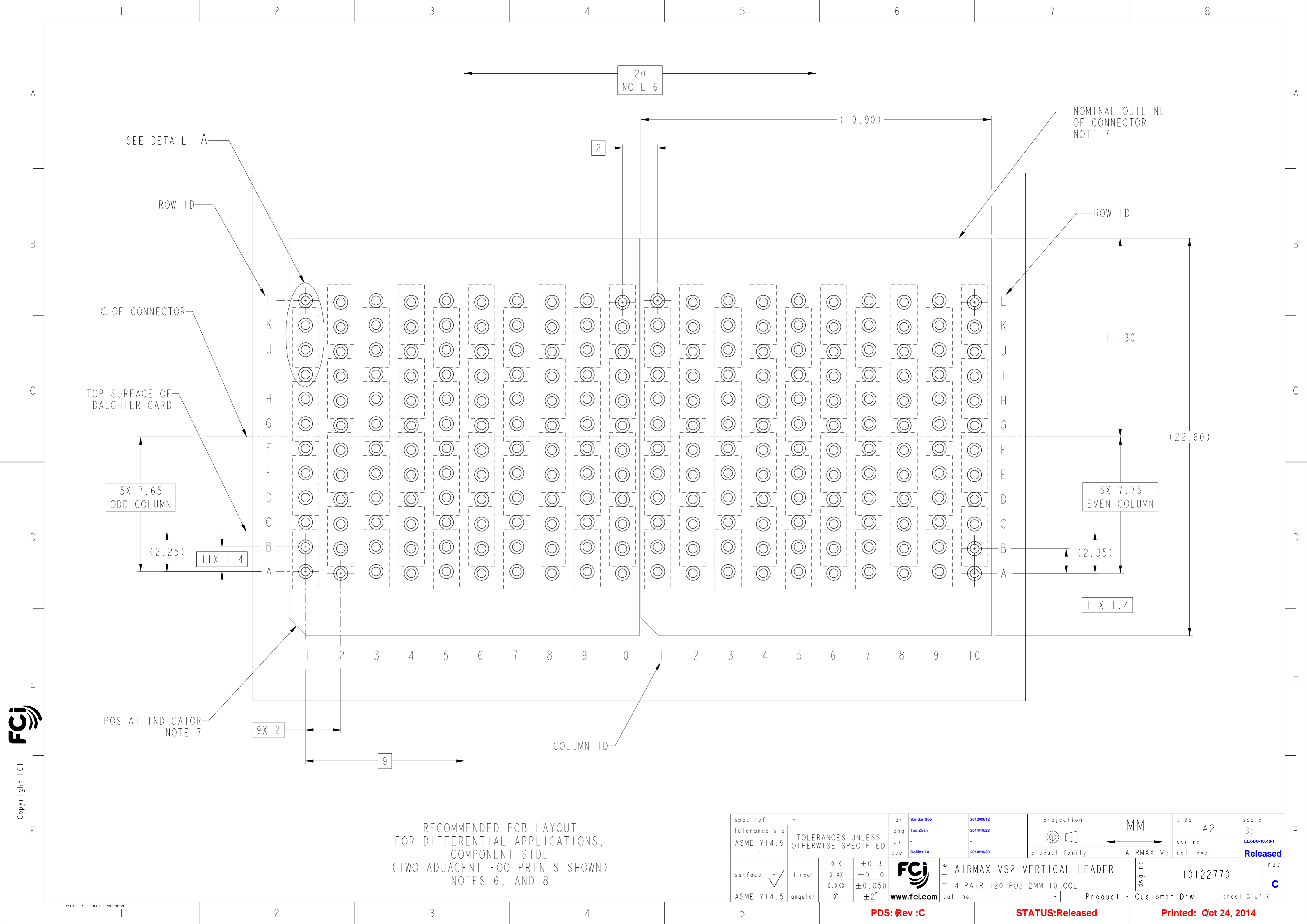
A
B
C
D
E
F



VIEWS SHOWN WITH
PROTECTIVE COVER INSTALLED
10122770-1*1LF



spec ref	-	dr	Sander Soe	2012/09/12	projection	MM	size	A2	scale	5:1
tolerance std	ASME Y14.5	eng	Tao Zhan	2014/10/23			ecn no	ELX-DG-18510-1		
		chr	-	rel level			Released			
surface	✓	appr	Collins Lu	2014/10/23	product family	AIRMAX VS	rel level	Released		
ASME Y14.5	linear	0.X	±0.3		title	AIRMAX VS2 VERTICAL HEADER		dwg no	10122770	
		0.XX	±0.10		cat. no.	-	Product - Customer Drw	sheet 2 of 4	rev	C
	angular	0°	±2°		www.fci.com					



20
NOTE 6

(19.90)

NOMINAL OUTLINE
OF CONNECTOR
NOTE 7

SEE DETAIL A

ROW ID

ROW ID

Ø OF CONNECTOR

11.30

TOP SURFACE OF
DAUGHTER CARD

(22.60)

5X 7.65
ODD COLUMN

5X 7.75
EVEN COLUMN

(2.25)

11X 1.4

(2.35)

11X 1.4

POS AI INDICATOR
NOTE 7

9X 2

COLUMN ID

9

RECOMMENDED PCB LAYOUT
FOR DIFFERENTIAL APPLICATIONS,
COMPONENT SIDE
(TWO ADJACENT FOOTPRINTS SHOWN)
NOTES 6, AND 8

spec ref	-	dr	Sander Soe	2012/09/12	projection	MM	size	A2	scale	3:1
tolerance std	ASME Y14.5	eng	Tao Zhan	2014/10/23			ecn no	ELX-DG-18510-1		
		chr	-				rel level	Released		
surface	✓	appr	Collins Lu	2014/10/23	product family	AIRMAX VS	cat. no	10122770		
ASME Y14.5	linear	0.X	±0.3		title		AIRMAX VS2 VERTICAL HEADER		rev C	
		0.XX	±0.10		4 PAIR 120 POS 2MM 10 COL		sheet 3 of 4			
	angular	0°	±2°		Product - Customer Drw		PDS: Rev :C			

PDS: Rev :C

STATUS:Released

Printed: Oct 24, 2014



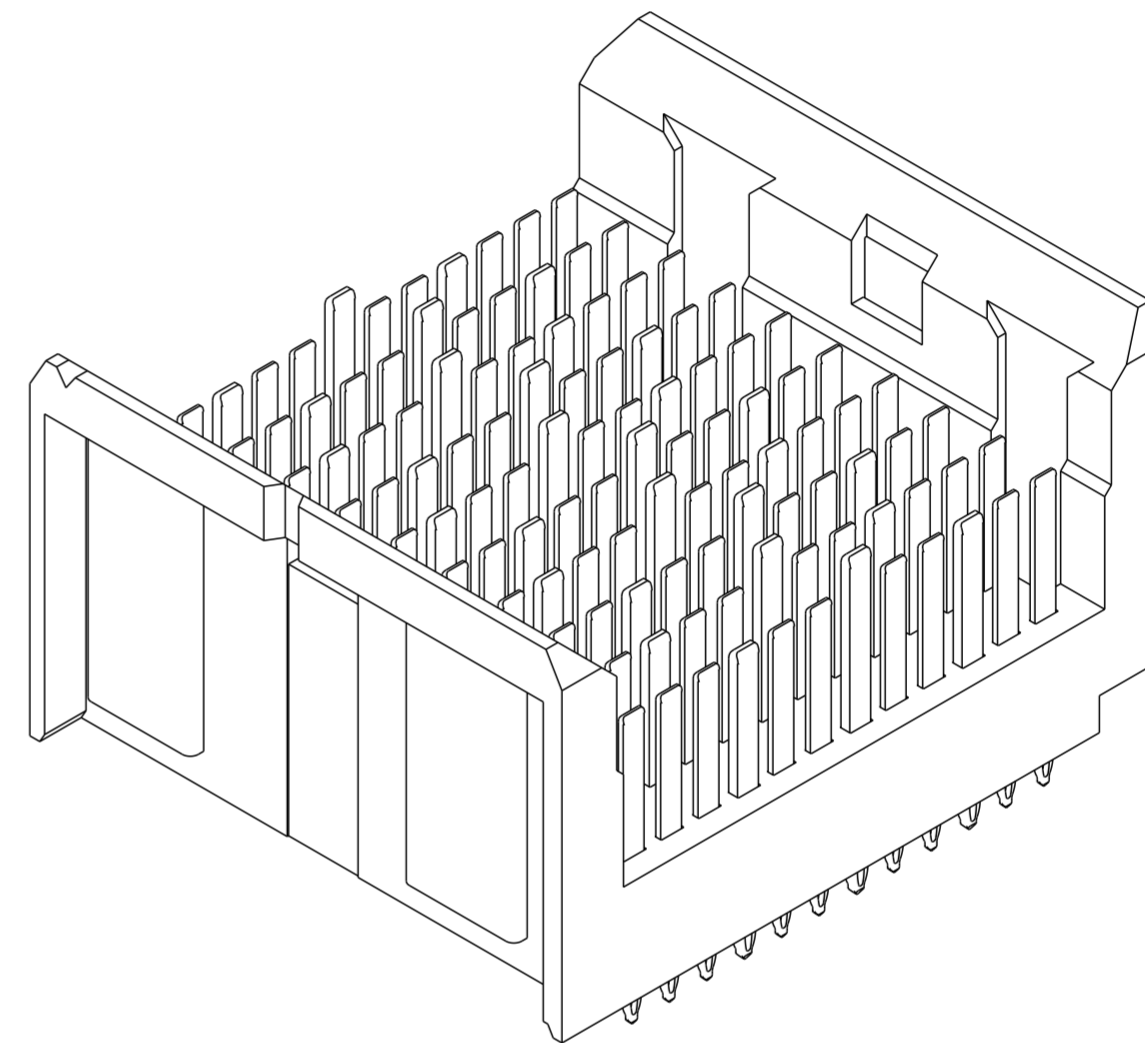
Copyright FCI.

PART NUMBER	PRESS-FIT TAIL PLATING TYPE	DETECTION PIN	PROTECTIVE COVER	LONG GND PIN LOCATIONS (5.6mm)	REMARKS
10122770-101LF	TIN OVER NICKEL (LEAD FREE)	NO	YES	F1, F3, F5, F7, F9, G2, G4, G6, G8, G10	2-SIDED PLATING
10122770-111LF		YES	YES		
10122770-121LF		YES	YES	NO LONG GND PIN	

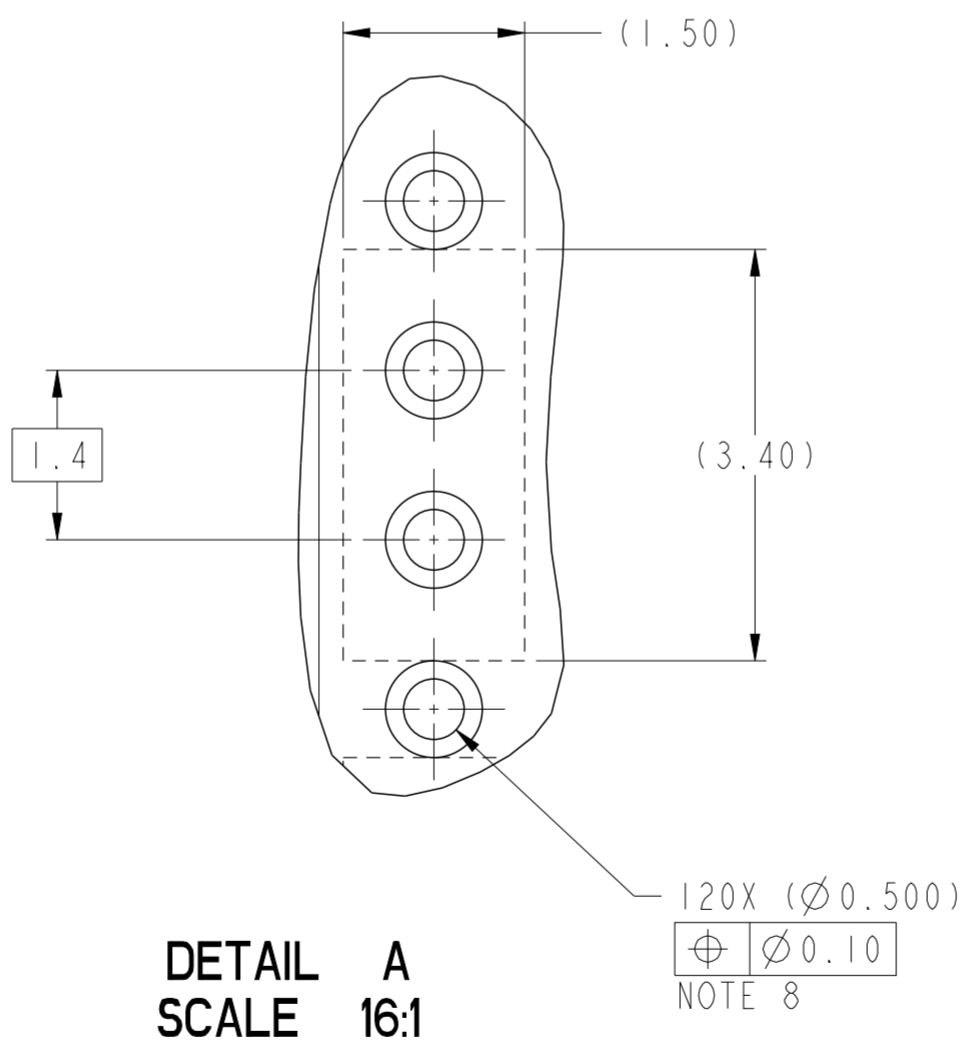


NOTES:

- CONNECTOR MATERIALS:
HOUSING: HIGH TEMP THERMOPLASTIC, BLACK, UL94V-0
CONTACT: COPPER ALLOY
- CONTACT PLATING:
SEPARABLE INTERFACE: PERFORMANCE-BASED PLATING, QUALIFIED TO MEET THE REQUIREMENTS OF FCI PRODUCT SPECIFICATION GS-12-239 INCLUDING TELCORDIA GR-1217-CORE (NOVEMBER 1995) CENTRAL OFFICE TEST SEQUENCE
PRESS-FIT TAILS: SEE TABLE
- PRODUCT SPECIFICATION: GS-12-239.
- APPLICATION SPECIFICATION: GS-20-035.
- PRODUCT MARKING, (PROTOTYPE, PART NUMBER & LOT CODE), ON THIS SURFACE.
- THE MINIMUM CENTERLINE SPACING BETWEEN ADJACENT MODULES IS 20.0 mm.
- CONNECTOR OUTLINE WITH HOUSING POS A1 INDICATOR MAY BE SCREEN PRINTED ONTO CUSTOMER PCB TO BE USED AS A GUIDE FOR MANUAL CONNECTOR PLACEMENT.
- REFER TO CUSTOMER DRAWING 10104444 FOR INFORMATION ON PCB HOLE DIAMETERS AND PLATING OPTIONS.
- THIS PRODUCT MEETS EUROPEAN UNION DIRECTIVES AND OTHER COUNTRY REGULATIONS AS DESCRIBED IN GS-22-008.
- PACKAGING MEETS GS-14-920 LEAD FREE LABELING SPECIFICATION.
- FOR REMOVAL OF THE PROTECTIVE CAP BY HAND GRIP USING THESE SURFACES.
- FOR REMOVAL OF THE PROTECTIVE CAP WITH PLIERS GRIP USING THIS FEATURE.
- SHORT DETECTION PIN IS 0.5mm LESS WIPE NOMINLA THAN THE SHORTEST PIN .
- A SYMBOL WILL BE NEXT TO ANY DIMENSION, VIEW, OR NOTE THAT HAS BEEN MODIFIED WITH THE CURRENT DRAWING REVISION.



10122770-1*1LF WITHOUT PROTECTIVE COVER



Copyright FCI. FCI

spec ref	-	dr	Sander Soe	2012/09/12	projection	MM	size	A2	scale	5:1
tolerance std	ASME Y14.5	eng	Tao Zhan	2014/10/23			ecn no	ELX-DG-18510-1		
		chr	-				rel level	Released		
surface	✓	appr	Collins Lu	2014/10/23	product family	AIRMAX VS	cat. no.	10122770	rev	C
ASME Y14.5	angular	0°	±2°	www.fci.com	Product - Customer Drw	sheet 4 of 4				