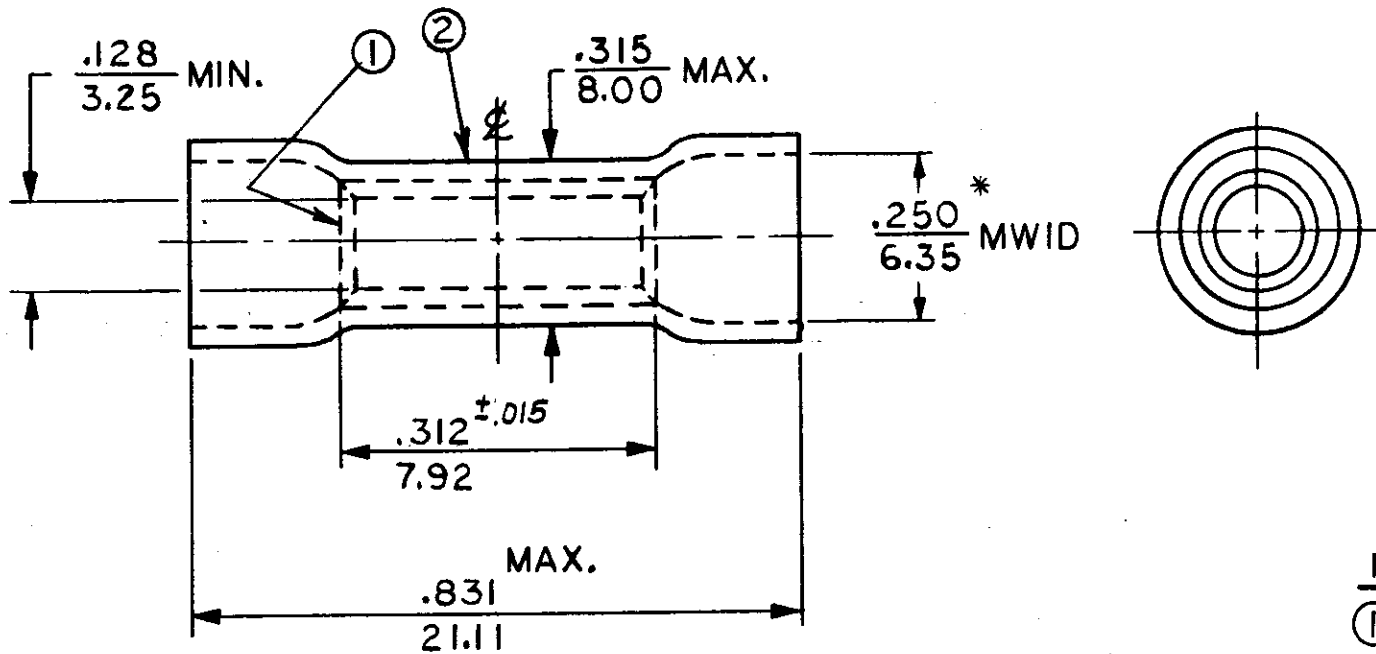


FILE NO.

REVISIONS

LTR. D.C.N. NO. OR CHANGE BY DATE



NOTES :

- ① MAT'L : COPPER (STOCK THICKNESS $\frac{.040^{+.001}}{1.02}$)
 PLATING : ELECTRO-TIN (.0003 MIN.)
 ② INSULATION : VINYL (YELLOW)

* MWID = MAX. WIRE INSULATION DIAMETER
 ALL DIMENSIONS = $\frac{\text{INCHES}}{\text{MM}}$

WIRE SIZE : 12-10 AWG
 4.0-6.0 MM²

DIMENSIONAL TOLERANCES
 UNLESS OTHERWISE SPECIFIED

REFERENCE

SCALE: NTS

DATE

TITLE:

FRAC. DEC. ANG.

DRWN. BY: *fo* 10-24-84

PARALLEL CONNECTOR

± ± ±

CHKD. BY: 67 10-24-84

INSULKRIMP

APPRD. BY:

P/N C-203X

ETC molex
 INCORPORATED

DWG. NO.

A

CUSTOMER
 DWG.