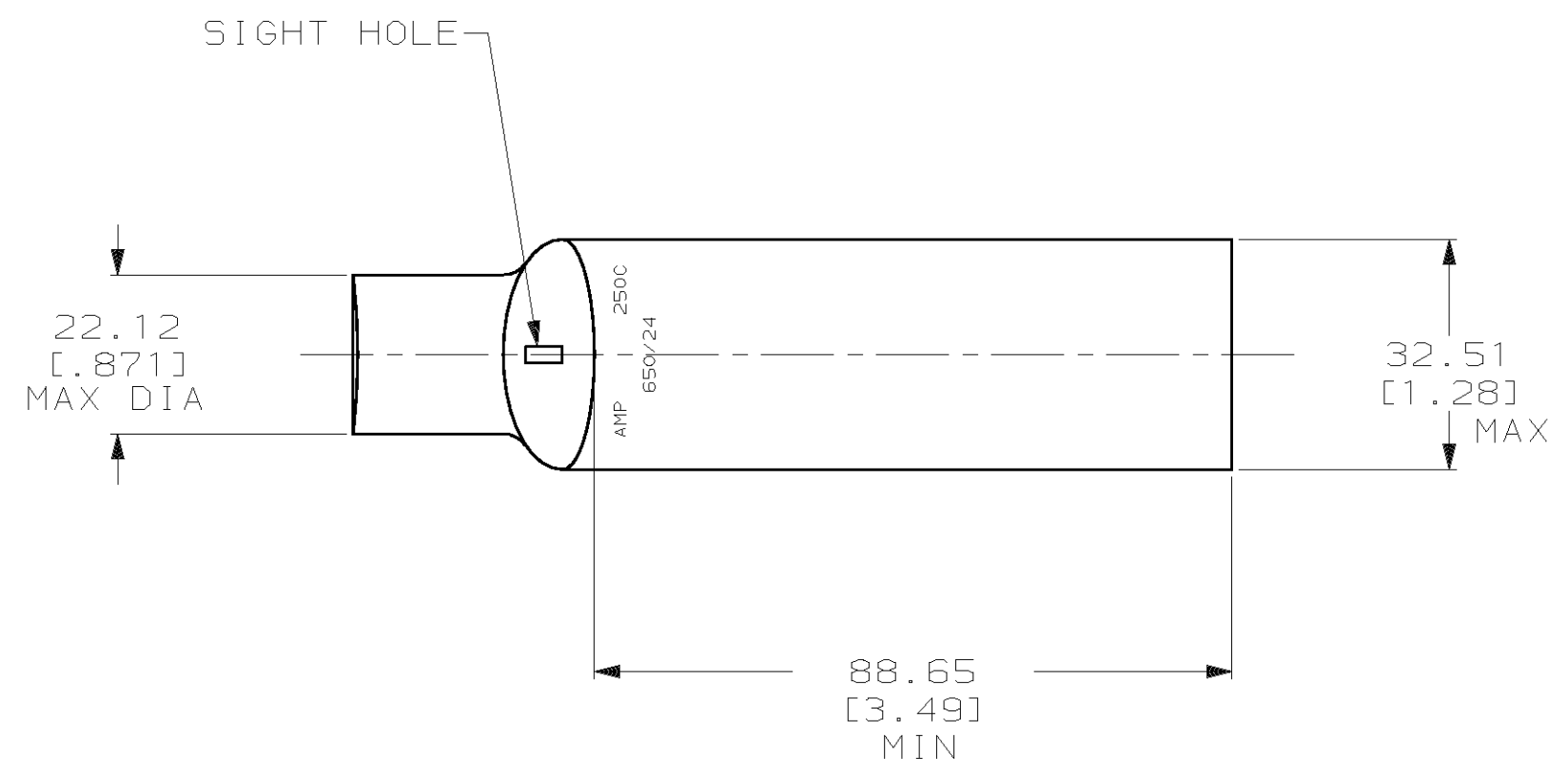
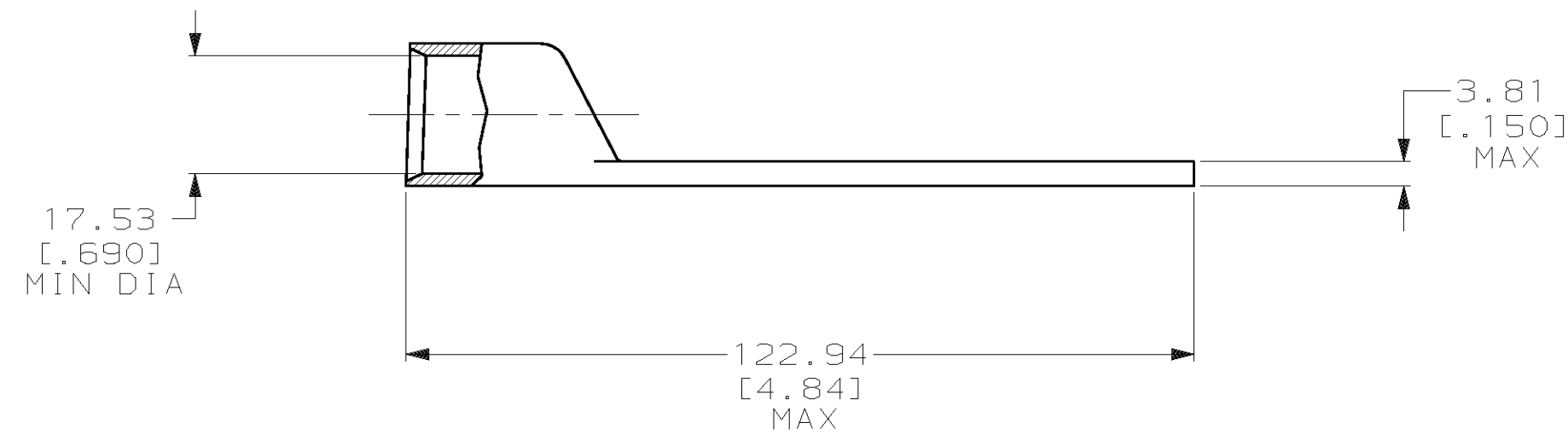


THIS DRAWING IS UNPUBLISHED. RELEASED FOR PUBLICATION ,19 .
 © COPYRIGHT 19 BY AMP INCORPORATED. ALL INTERNATIONAL RIGHTS RESERVED.

REVISIONS								
LOC	DIST	P	F	ZONE	LTR	DESCRIPTION	DATE	APPD
G	86				R	REV PER 0G3A-0561-01	08OCT02	JR/MS



1 CIRCULAR MIL AREA RANGE: 231-275 MCM
 2 TIN PL 0.00381 [.000150] THK PER MIL-T-10727



325712

325712
 PART NO

DO NOT SCALE PRINT. UNLESS SPECIFIED DIMENSIONS IN mm [INCHES] TOLERANCES ON : 2 PLC DEC ± 0.51 [.020] 3 PLC DEC ± - ANGLES ± -		DR 02/28/90 DK SCHRUM		AMP INCORPORATED Harrisburg, Pa. 17105	
MATERIAL ANNEALED COPPER ASTM B-75		CHK 20JAN95 MS FEHER			
FINISH 		APPD 20JAN95 WJ VOCKROTH		NAME TERMINAL, AMPPOWER, WIRE SIZE: 250 MCM	
APPLICATION SPEC -		APPD 20JAN95 TL SHUTTER		DRAWING NO 325712	
WEIGHT .248 LB		PRODUCT SPEC 108-30200		SCALE 1:1	
		CAGE CODE 00779		SHEET 1 OF 1	

