

THIS DRAWING IS UNPUBLISHED.

RELEASED FOR PUBLICATION

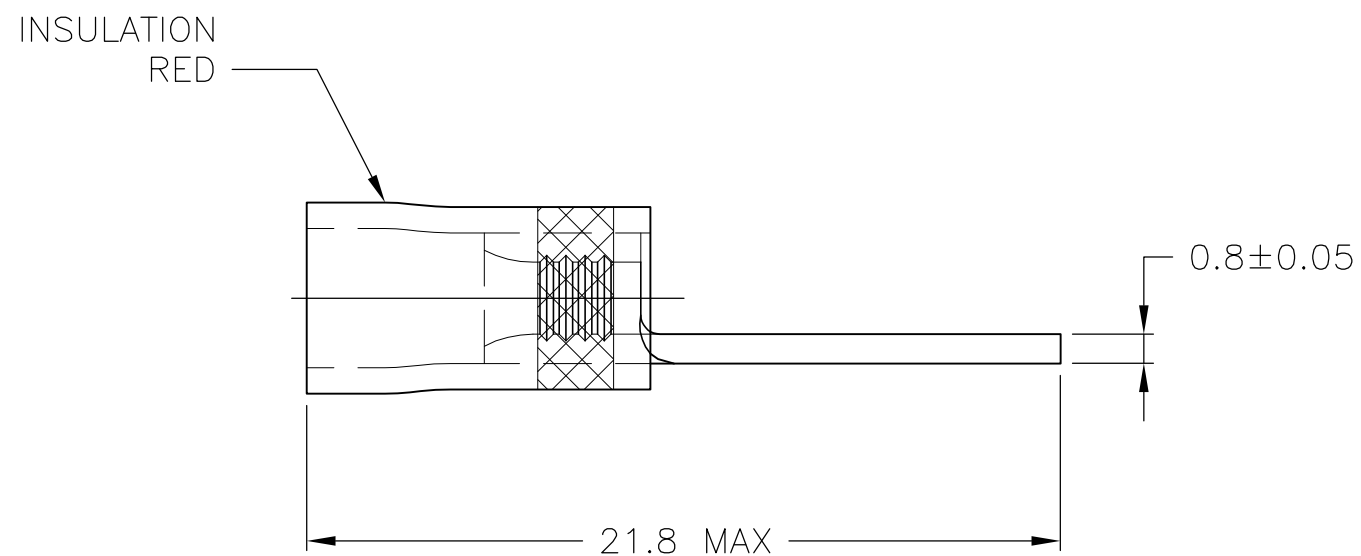
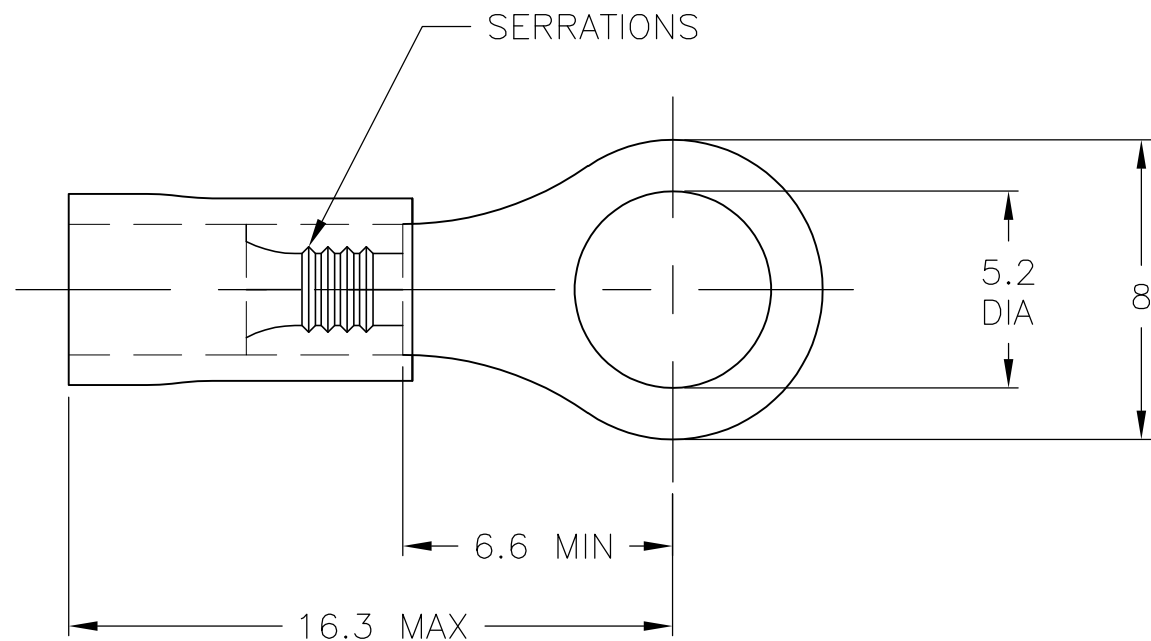
© COPYRIGHT - By -

ALL RIGHTS RESERVED.

LOC F DIST 00

REVISIONS

P	LTR	DESCRIPTION	DATE	DWN	APVD
	G2	REVISED PER ECO-11-005027	11MAR11	RK	HMR



- 1 WIRE SIZE: 0.26-1.64mm²
- 2 INSULATION RANGE: 2.7-3.56 DIA
- 3 MATERIAL:
BODY: CU PER ASTM B-152
SLEEVE: PVC
- 4 FINISH:
BODY: TIN PLATE PER ASTM B-545
SLEEVE: COLOR-RED

5000	TAPE & REEL	2-130014-1
1000	LOOSE PIECE	130014
QTY	PACKAGE TYPE	PART NO.

THIS DRAWING IS A CONTROLLED DOCUMENT.		DWN JR RUTH 13SEP05	STE TE Connectivity		
DIMENSIONS: mm		CHK G.ROBERT 30-JAN-97			
TOLERANCES UNLESS OTHERWISE SPECIFIED:		APVD JJ.REVIL 30-JAN-97	NAME PLASTI-GRIP TERMINAL WIRE SIZE : 22-16 AWG		
0 PLC ± -		PRODUCT SPEC	-		
1 PLC ± -		APPLICATION SPEC	-		
2 PLC ± -		WEIGHT	-		
3 PLC ± -		CUSTOMER DRAWING	SIZE A3	CAGE CODE 00779	DRAWING NO C-130014
4 PLC ± -		MATERIAL - 3	RESTRICTED TO	-	
ANGLES ± -		FINISH - 4	SCALE 5:1	SHEET 1 OF 1	REV G2