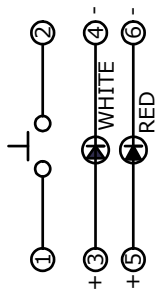


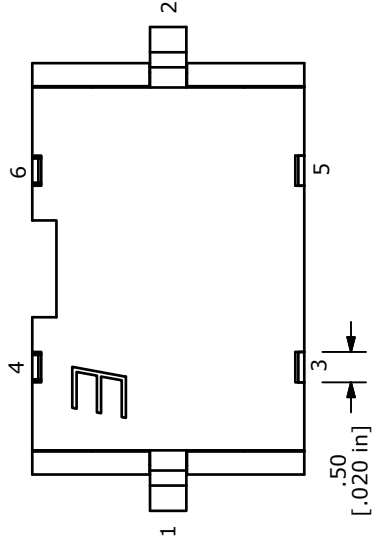
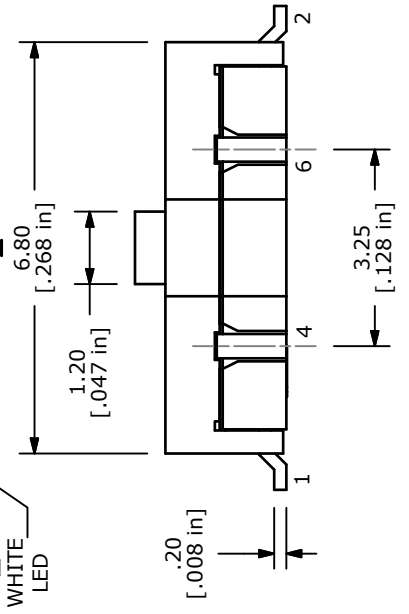
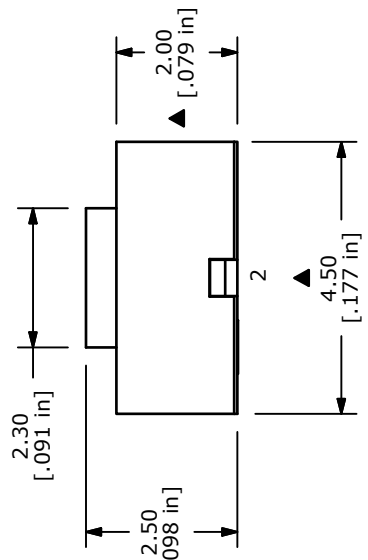
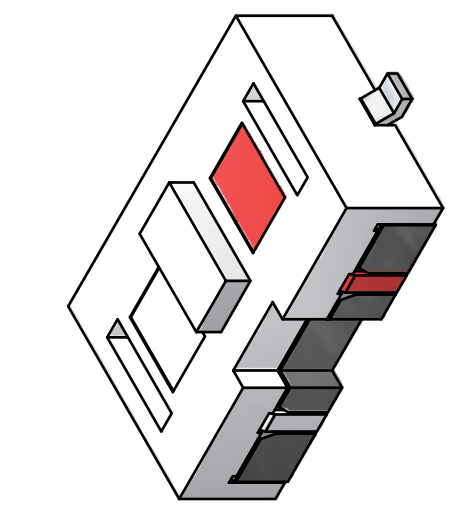
PC MOUNTING



▲ CIRCUIT

NOTES:

1. ALL DIMENSIONS IN MM [INCH]
2. GENERAL TOLERANCE: X.X±0.4
X.XX±0.25
3. RATING: 12VDC, 50mA MAX.
4. CONTACT RESISTANCE: 500mΩ MAX.
5. INSULATION RESISTANCE: 100VDC, 100MΩ MIN.
6. TRAVEL: 0.25 mm +0.2/-0.1
7. OPERATING FORCE: 160 +75/-30gf
8. OPERATING TEMPERATURE: -25°C TO 85°C
9. OPERATING LIFE: 30,000 CYCLES.
10. PACKAGING: TAPE & REEL, 3000 PIECES PER REEL
11. ▲ DENOTES CRITICAL PARAMETER
12. 2002/95/EC (ROHS) COMPLIANT
13. PLASTIC MATERIALS MEET OR EXCEED UL94-V0



| LED Specifications | Units | WHITE | Red |
|-------------------------|-------|---------|---------|
| Forward Current | mA | 30 | 15 |
| Forward Voltage | V | 3.5-4.0 | 1.7-2.6 |
| Luminous Intensity@20mA | mcd | 180 | 4 |



TITLE TL3200AF160WRQ

| | | | | |
|-----|--------|-------------|----------|-----|
| A | 19535 | NEW RELEASE | 12/20/10 | BGL |
| REV | PCR NO | DESCRIPTION | DATE | BY |

THE INFORMATION CONTAINED IN THIS DOCUMENT IS PROPRIETARY TO E-SWITCH AND IS NOT TO BE COPIED OR TRANSFERRED

| | | | | | | | | | |
|-------|-----|------|------------|----|-----|-----|---------|-----|---|
| SCALE | 8:1 | DATE | 12/20/2010 | DR | BGL | DWG | B200113 | REV | A |
|-------|-----|------|------------|----|-----|-----|---------|-----|---|