

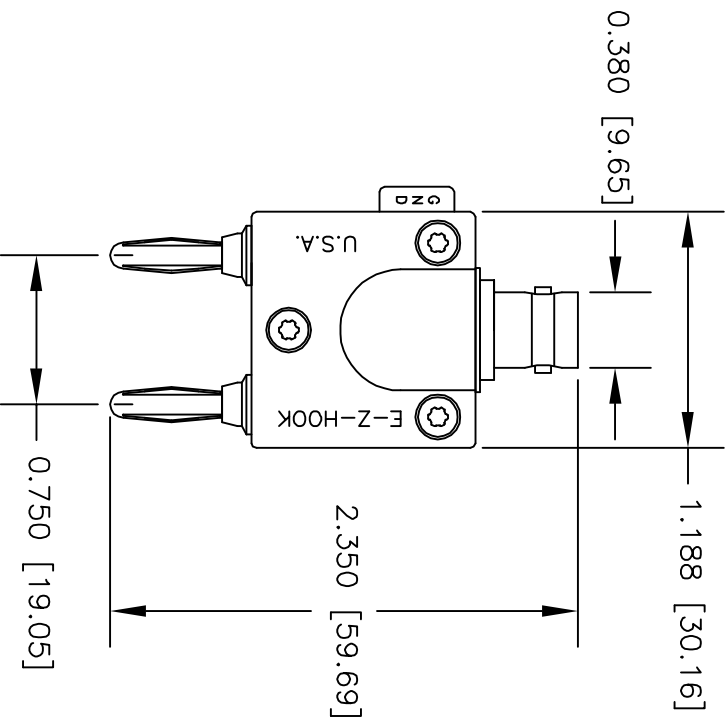
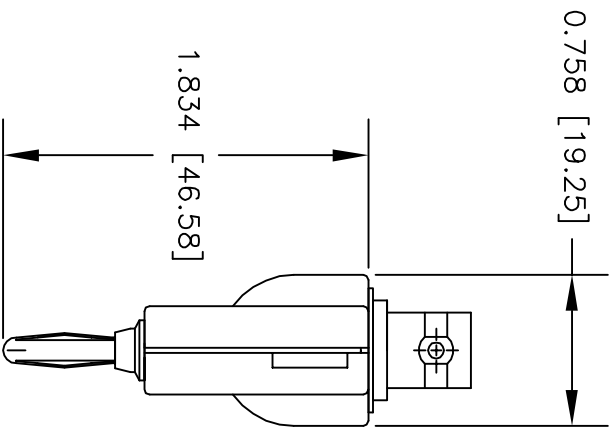
NOTES: UNLESS OTHERWISE SPECIFIED

1. CONSTRUCTION

BODY & FITTINGS: BRASS. NICKEL PLATED.
 PIN: BRASS. GOLD PLATED.
 DIELECTRIC: TEFLON.
 HOUSING: MOLDED NYLON. AVAILABLE IN BLK.
 BANANA PLUG: BRASS. NICKEL PLATED.
 HARDWARE: STAINLESS STEEL SCREW.

2. PERFORMANCE:

MAXIMUM CURRENT: XX
 MAXIMUM VOLTAGE: 500 VRMS
 MAXIMUM TEMPERATURE: 122°F (50°C)



LTR	REVISIONS	DESCRIPTION	DATE	APPROVED

UNLESS OTHERWISE SPECIFIED DIMENSIONS ARE IN INCHES TOLERANCES ARE: FRACTIONS DECIMALS ANGLES

±	.XX ±	±
±	.XXX ±	±

MATERIAL SEE NOTE.

FINISH SEE NOTE.

USED ON APPLICATION DO NOT SCALE DRAWING

CONTRACT NO.

APPROVALS	DATE
DRAWN R.L.	1/11
APPROVED BY	

E-Z-HOOK DIVISION OF TEKTEST INC. ARCADIA, CA 91006 U.S.A.

DESCRIPTION

BNC FEMALE TO STD DBL BAN PLUG ADAPTER

SIZE CODE IDENT NO. DRAWING NO.

A 08505 9225

REV.

SCALE

1:1

SHEET 1 OF 1

THE INFORMATION CONTAINED IN THIS DOCUMENT IS PROPRIETARY TO E-Z-HOOK. THE INFORMATION IS NOT TO BE REPRODUCED WITHOUT PRIOR WRITTEN PERMISSION OF E-Z-HOOK. DIV. OF TEKTEST INC. MAXIMUM TESTED RATINGS IN A HANDS-FREE CONTROLLED ENVIRONMENT. MAXIMUM RATINGS ARE NOT TO BE USED CONCURRENTLY.