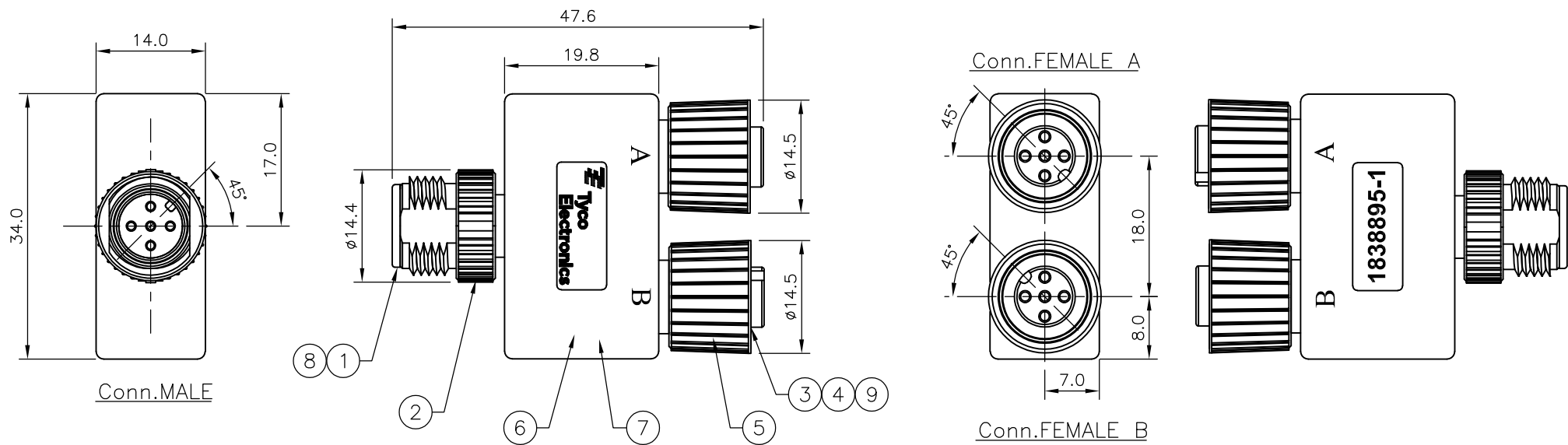


LOC	DIST	REVISIONS					
E	B	P	LTR	DESCRIPTION	DATE	DWN	APVD
		B		ECR-07-016769	17JUL07	AM	FWK

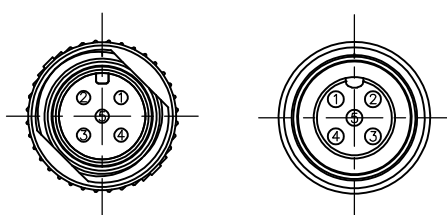
NOTES:

- ELECTRICAL DATA: CONTACT RESISTANCE: 10 mOhm MAX
INSULATION RESISTANCE: 100 MOhm MIN at 500VDC
CURRENT RATING: 5 AMPS
BREAKDOWN VOLTAGE: 500 VAC MIN PER MINUTE
- ENVIRONMENTAL: OPERATING TEMPERATURE: -25°C TO +90°C
SEALING REQUIREMENTS: IP67
- PROD SPEC: 108-3641
- FOR TECHNICAL DATA REFER TO YOUR LOCAL TYCO ELECTRONICS SALES OFFICE.
- ALL DIMENSIONS ARE NOMINAL FOR REFERENCE ONLY UNLESS OTHERWISE STATED.

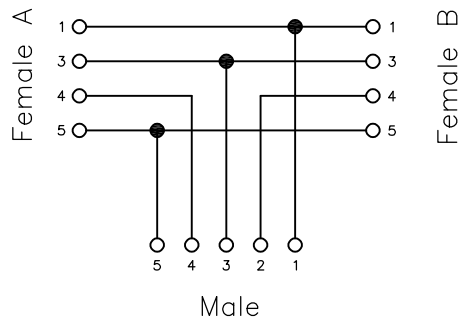
ITEM	DESCRIPTION	MATERIAL	FINISH/COLOUR	QTY
1	CONNECTOR BODY	POLYURETHANE	BLACK	1
2	SCREW NUT (MALE)	ZINC DIE CAST	2.5µm NICKEL PLATED	1
3	CONNECTOR BODY	POLYURETHANE	BLACK	2
4	'O' RING	VITON	GREEN	2
5	SCREW NUT (FEMALE)	ZINC DIE CAST	2.5µm NICKEL PLATED	2
6	CONNECTOR HOUSING	POLYURETHANE	BLACK	1
7	WIRE HARNESS (UL1007)	24 AWG	-	1
8	PIN CONTACT	BRASS	0.15µm GOLD OVER NICKEL	5
9	SOCKET CONTACT	BRASS	0.15µm GOLD OVER NICKEL	10



PIN ASIGNMENTS



INTERNAL CONNECTIONS



THIS DRAWING IS A CONTROLLED DOCUMENT.		DWN A.Morey 01JUN07	Tyco Electronics Corporation Bideford, UK, EX39 4HE	
DIMENSIONS: mm		CHK F.Wheeler-King 04JUN07	NAME M12 Y ADAPTOR 5POS MALE, FEMALE, FEMALE	
TOLERANCES UNLESS OTHERWISE SPECIFIED: 0 PLC ± - 1 PLC ± - 2 PLC ± - 3 PLC ± - 4 PLC ± - ANGLES ± -		APVD F.Wheeler-King 04JUN07	SIZE A3	CAGE CODE 00779
MATERIAL -		FINISH -	DRAWING NO 1838895	RESTRICTED TO -
CUSTOMER DRAWING			SCALE NTS	SHEET 1 OF 1
			REV B	