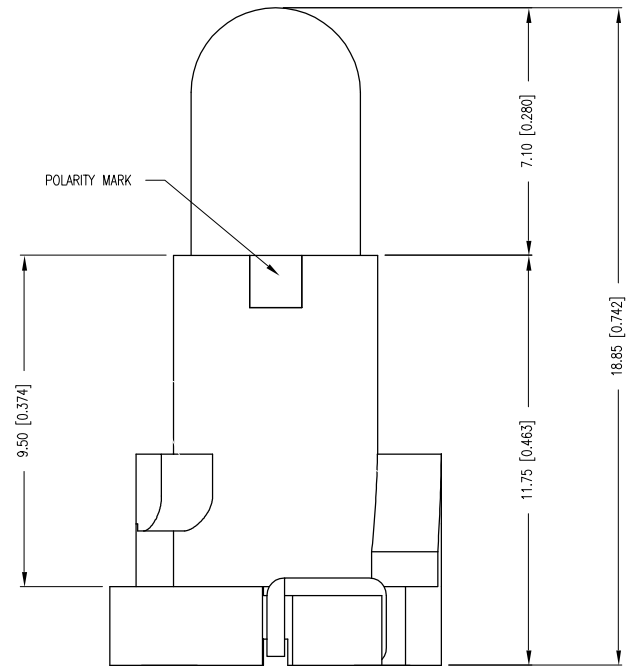
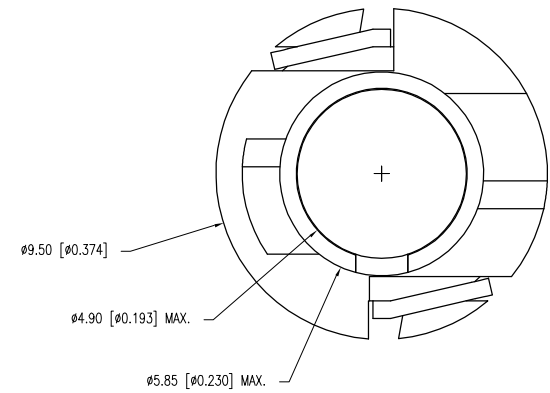
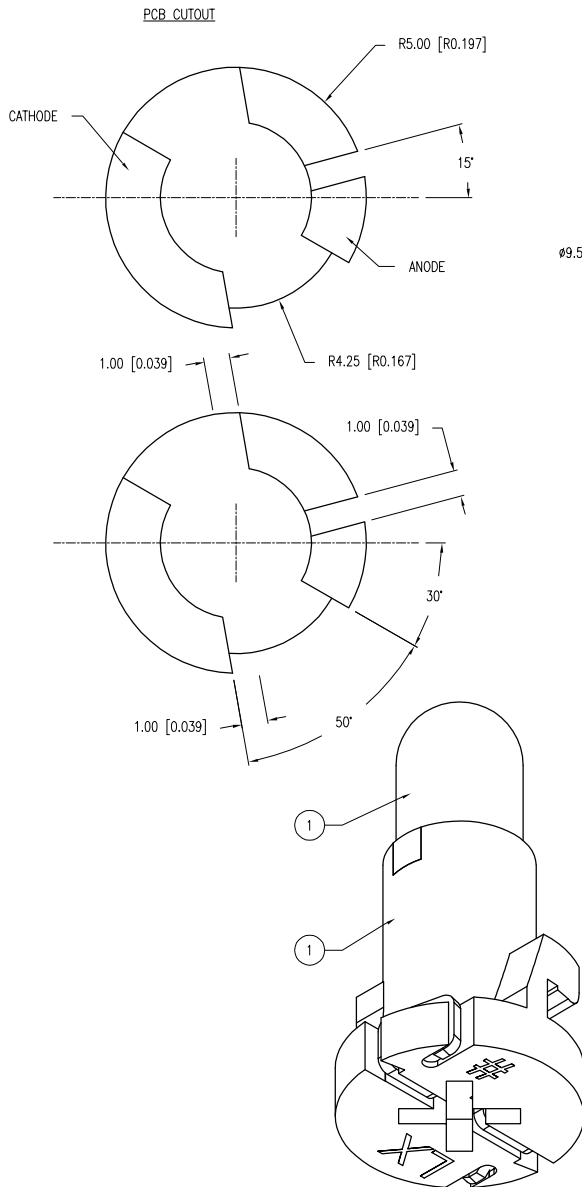


PART NUMBER	SNW-LX504SRC/4	REV.	B
DATE	E.C.N. NUMBER AND REVISION COMMENTS		REV.
09.22.10	E.C.N. #10BRDR. & REDRAWN.		A
11.02.10	E.C.N. #11672.		B



ELECTRO-OPTICAL CHARACTERISTICS $T_A=25^{\circ}C$ $I_f=20mA$

PARAMETER	MIN	TYP	MAX	UNITS	TEST COND
PEAK WAVELENGTH		660		nm	
FORWARD VOLTAGE		1.7	2.1	V_f	
REVERSE VOLTAGE	5.0			V_r	$I_f=100\mu A$
AXIAL INTENSITY		3800		mcd	$I_f=20mA$
VIEWING ANGLE		30		2x theta	
EMITTED COLOR:	RED				
EPOXY LENS FINISH:	WATER CLEAR LENS				

LIMITS OF SAFE OPERATION AT 25°C

PARAMETER	MAX	UNITS
PEAK FORWARD CURRENT*	200	mA
STEADY CURRENT	30	mA
POWER DISSIPATION	60	mW
DERATE FROM 25°C	-1.2	mW/°C
OPERATING TEMP.	-40 TO +85	°C
STORAGE TEMP.	-40 TO +85	°C
SOLDERING TEMP.	+260	°C
2.0mm FROM BODY		3 SEC. MAX

* $t < 10\mu S$

- NOTES:
- [A] 1. SSH-NW504R, RED BASE.
 - [B] 2. SSL-LX509TAB3SRC/4, RED LED.
 - 3. SMALL TAB IS ON THE LEFT OF POLARITY MARK
AN BIG TAB IS ON THE RIGHT.

*UNLESS OTHERWISE SPECIFIED TOLERANCES PER DECIMAL PRECISION ARE: X=±1 (±0.039), X.X=±0.5 (±0.020), X.XX=±0.25 (±0.010), X.XXX=±0.127 (±0.005). LEAD SIZE=±0.05 (±0.002), LEAD LENGTH=±0.75 (±0.030). MIN= +DECIMAL PRECISION -0.00, MAX.= +0.00 -DECIMAL PRECISION

290 E. HELEN ROAD
PALATINE, IL 60067-6976
PHONE: +1.847.359.2790
FAX: +1.847.359.6538
WEB: WWW.LUMEX.COM

T-5mm (T-1 3/4) NEO-WEDGE INDICATOR LED, 660nm SUPER RED LED, WATER CLEAR LENS.

THE SPECIFICATIONS MAY CHANGE AT ANY TIME WITHOUT NOTICE DUE TO NEW MATERIALS OR PRODUCT IMPROVEMENT.

CONFIDENTIAL INFORMATION

THE INFORMATION CONTAINED IN THIS DOCUMENT IS THE PROPERTY OF LUMEX INC. EXCEPT AS SPECIFICALLY AUTHORIZED IN WRITING BY LUMEX INC., THE HOLDER OF THIS DOCUMENT SHALL KEEP ALL INFORMATION CONTAINED HEREIN CONFIDENTIAL AND SHALL PROTECT SAME IN WHOLE OR IN PART FROM DISCLOSURE AND DISSEMINATION TO ALL THIRD PARTIES.

DATE:	02.11.04	DRAWN BY:	GB
PAGE:	1 OF 1	CHKD BY:	JD
SCALE:	N/A	APRVD BY:	KF
UNIT:	mm [INCH]		