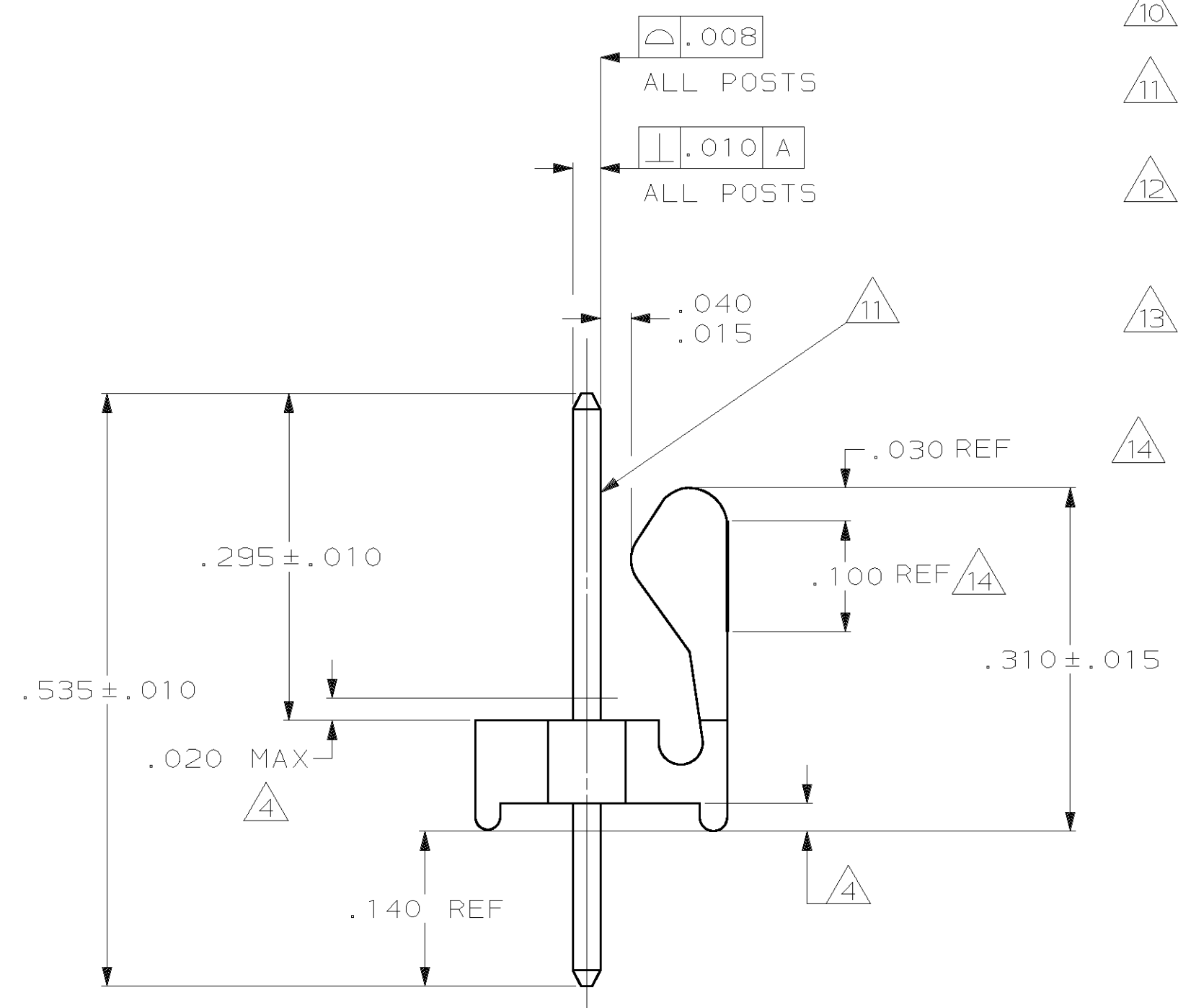
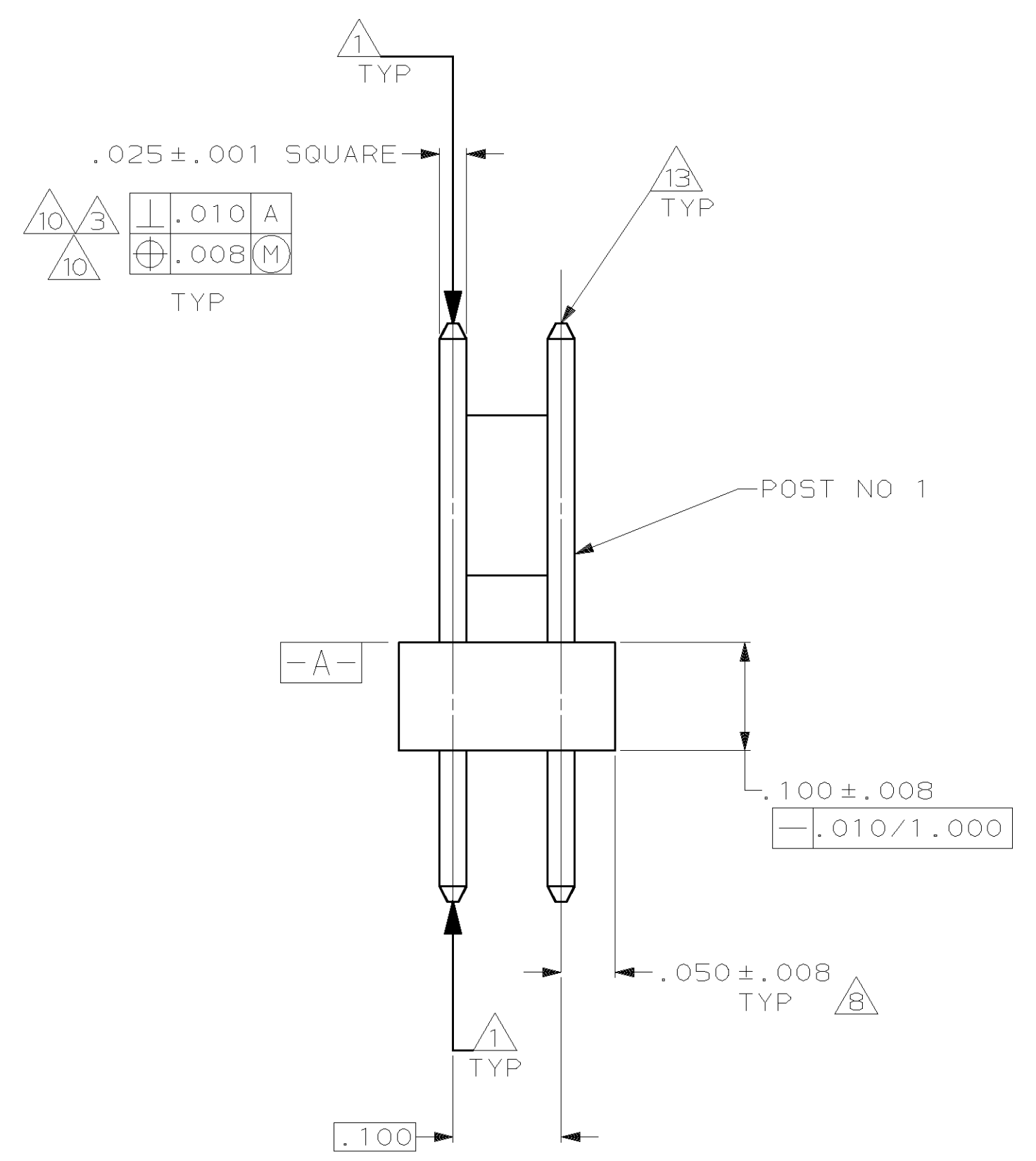
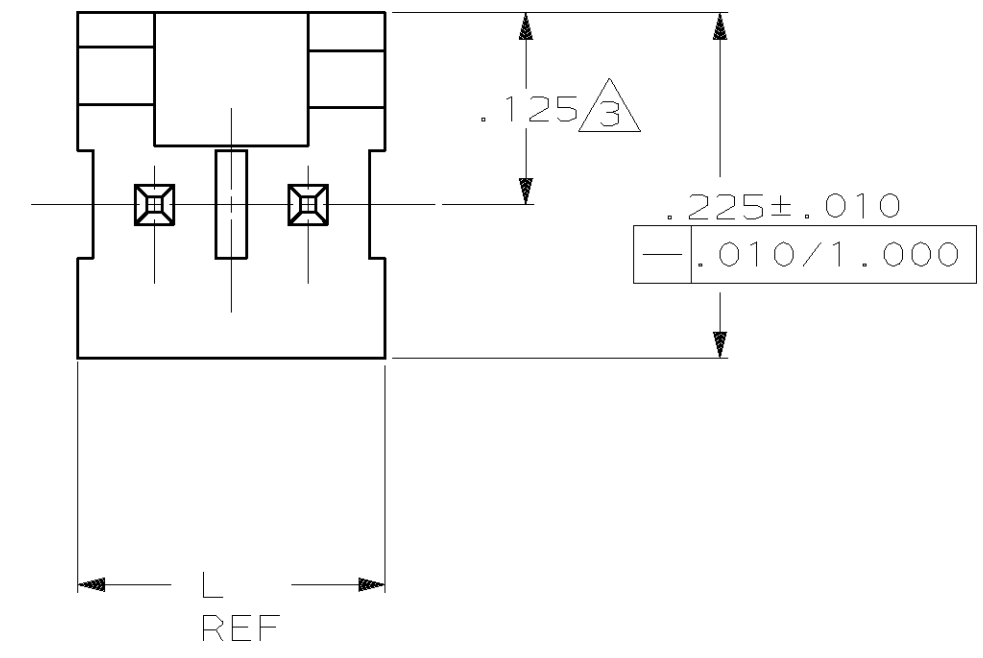
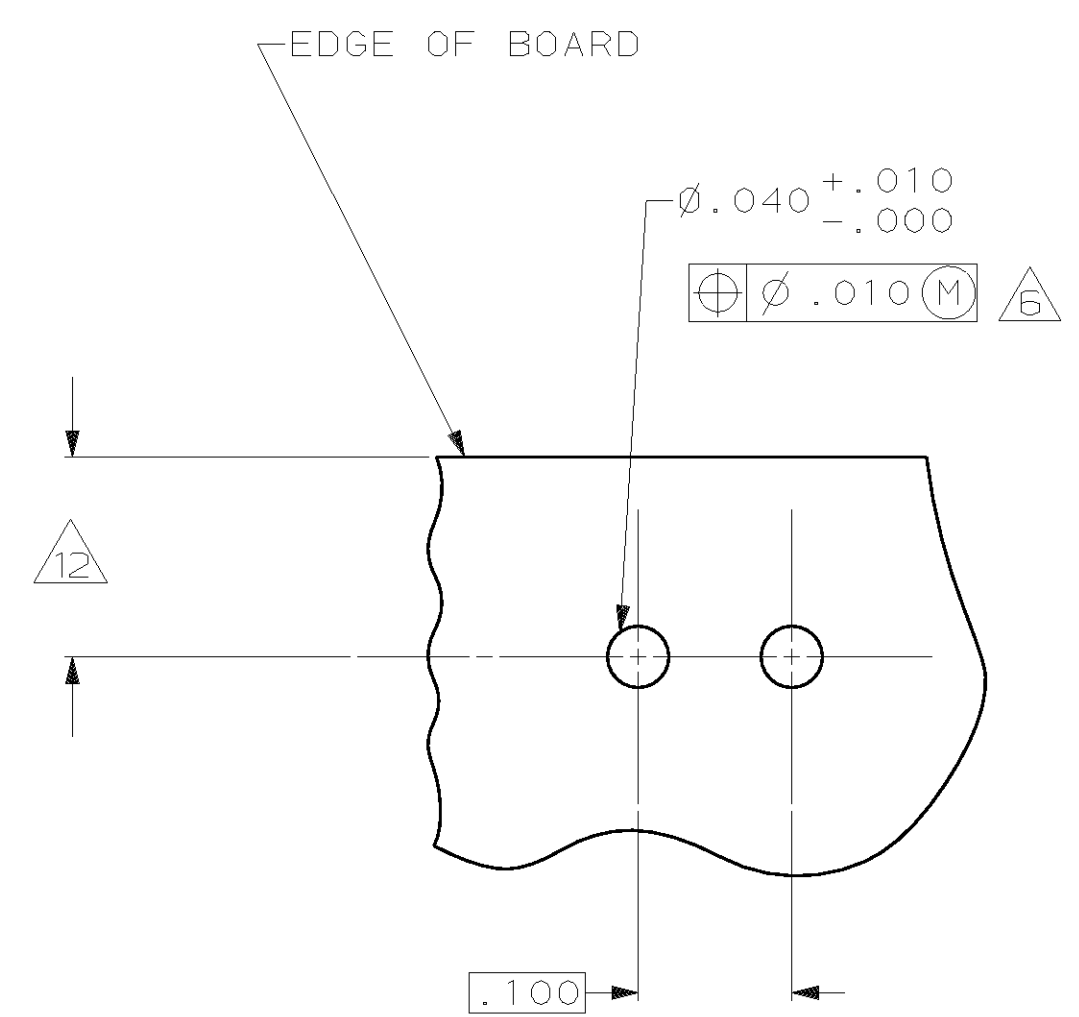


LOC		DIST		REV		REVISIONS		DATE	APPD
CM	54	P	F	ZONE	LTR	DESCRIPTION			
				B		REV PER EC 061B-0221-98	01-MAR-99	JH	RS



- 1 POST TO WITHSTAND 13 NEWTONS (3LBS.) MIN. AXIAL FORCE IN BOTH DIRECTIONS SHOWN WITHOUT DISLODGING.
- 2 TOLERANCES APPLY TO SOLDER SIDE OF BOARD.
- 3 MEASURED AT SURFACE -A-
- 4 PLASTIC FLASH PERMITTED IN THIS AREA.
- 5 PARTS COMPLY WITH AMP SOLDERABILITY SPEC. NO. 109-11-2.
- 6 ONE HOLE MAY BE UNDERSIZED (.035/.032 DIA.) FOR ASSEMBLY RETENTION DURING WAVE SOLDERING.
- 7 MATERIAL: HEADER-THERMOPLASTIC POLYESTER 94V-0 (NATURAL) POST-COPPER ALLOY (TIN PLATED)
- 8 COORDINATE DIMENSION APPLIES FROM CENTER OF ACTUAL FEATURE.
- 9 PLASTIC BURRS CAUSED BY CUT-OFF TOOLING ARE PERMITTED WITHIN THE MAXIMUM TOLERANCE ENVELOPE.
- 10 POST TO BE MEASURED WHEN STRIP IS HELD FLAT.
- 11 POST MUST WITHSTAND TWO 90° BENDS AGAINST EXTRUSION WITHOUT BREAKING.
- 12 DIMENSION SHOULD BE .130 MIN WHEN MATING WITH A MTA 100 CONNECTOR ASSEMBLY OR WHEN MATING WITH A CST 100 CONNECTOR.
- 13 PIN BURR OF .005 MAX VERTICAL AND .003 MAX HORIZONTAL PERMITTED AT POST TIPS ON BOTH ENDS.
- 14 COLOR STRIPE BLUE IN APPROXIMATE LOCATION SHOWN.



RECOMMENDED MOUNTING HOLE PATTERN FOR .063 THICK P.C. BOARD

	.050	1.27	-	-
	.040	1.02	-	-
	.035	0.89	-	-
	.032	0.81	1.000	25.40
	.030	0.76	.535	13.59
	.025	0.64	.310	7.87
	.020	0.51	.295	7.49
	.015	0.38	.225	5.72
	.010	0.25	.150	3.81
	.008	0.20	.130	3.30
	.005	0.13	.125	3.18
	.003	0.08	.100	2.54
	.001	0.03	.063	1.60
	IN	MM	IN	MM

CONVERSION TABLE

METRIC

THIS DRAWING IS A CONTROLLED DOCUMENT FOR AMP INCORPORATED. IT IS SUBJECT TO CHANGE AND THE CONTROLLING ENGINEERING ORGANIZATION SHOULD BE CONTACTED FOR THE LATEST REVISION.

		.200	5.08	2	644826-2
		IN	MM	NO. OF POSITIONS	PART NO
DO NOT SCALE PRINT. UNLESS SPECIFIED DIMENSIONS IN MM [INCHES] TOLERANCES ON: 2 PLC DEC ± .005 3 PLC DEC ± .005 ANGLES ± 0°30'				AMP Incorporated Harrisburg, PA 17105-3508	
MATERIAL		AMPD 1-25-95 B. GENTRY		NAME MTA-100 HEADER ASSEMBLY, FRICTION LOCK, NOTCHED, .025 SQUARE STRAIGHT POST, TIN PLATED, SPECIAL	
FINISH		AMPD 1-25-95 B. GENTRY		SIZE D	
		APPLICATION SPEC		CAGE CODE 00779	
		WEIGHT		DRAWING NO C-644826	
				SCALE 8:1	
				SHEET 1 OF 1	