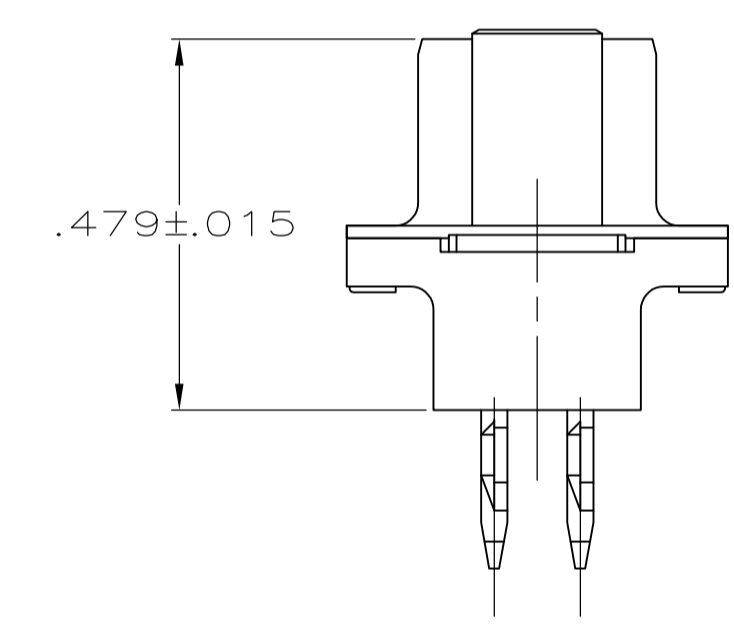
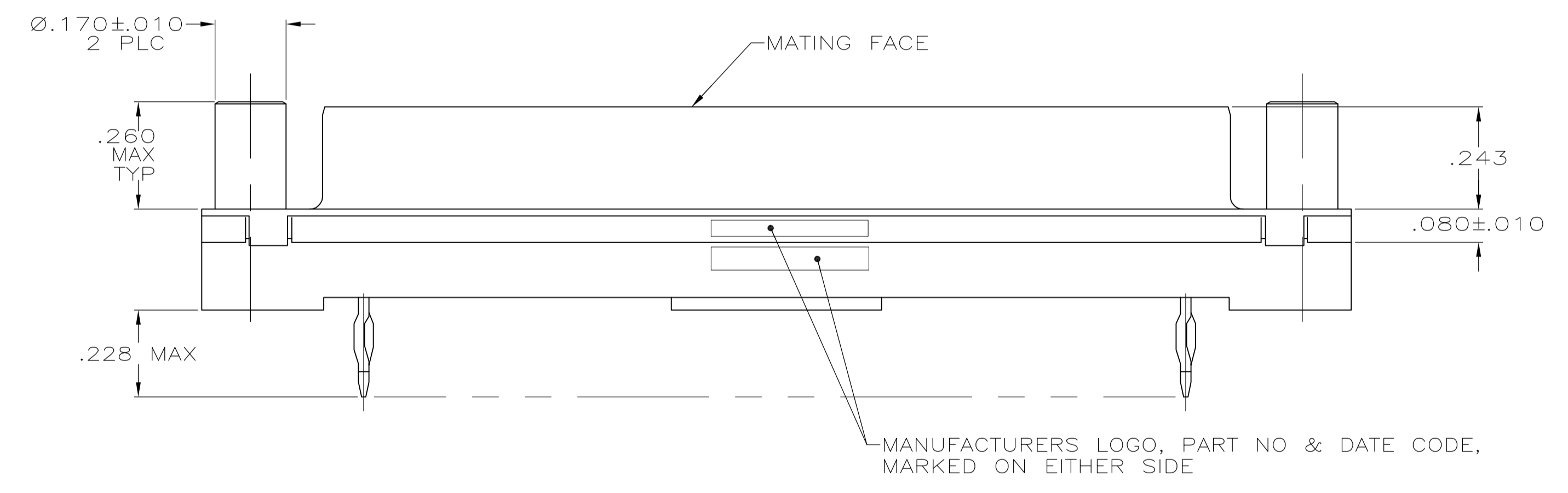
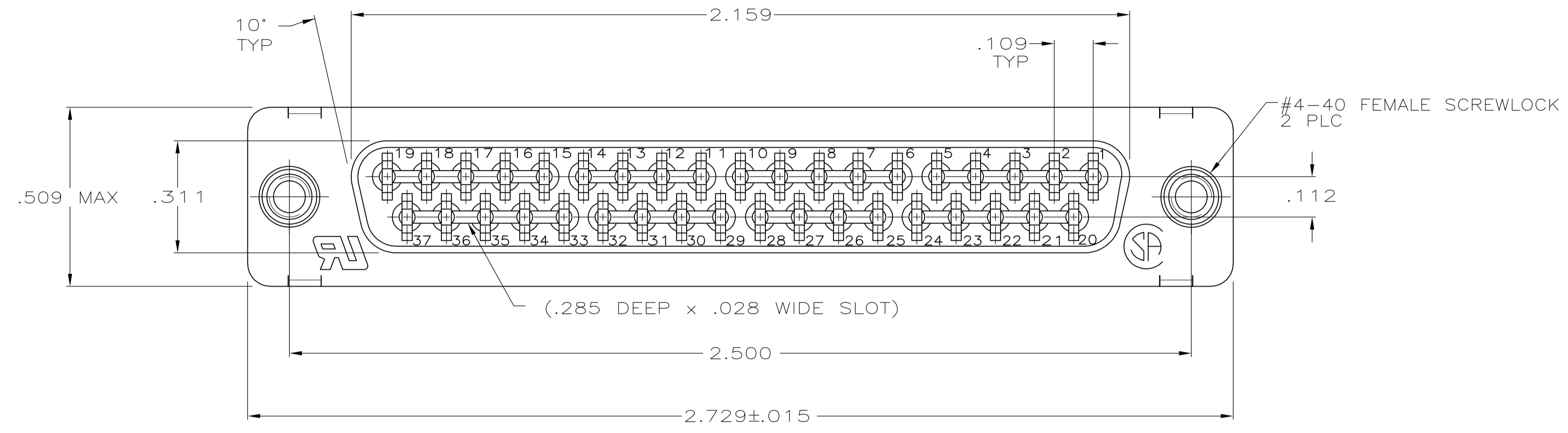


LOC		DIST		REVISIONS			
GP	00	REV	DATE	BY	APPV	DATE	REV
C		REVISED PER ECO-12-000090	26JAN2012	CJV	SLB		



- 1 FOR USE WITH .093 MINIMUM THICK PRINTED CIRCUIT BOARD. REFER TO APPLICATION SPECIFICATION FOR PRINTED CIRCUIT BOARD LAYOUT DIMENSIONS AND FINISH RECOMMENDATIONS.
- 2 SHELL: .0002 MIN BRIGHT TIN OVER .000100 MIN COPPER. SCREWLOCKS: CLEAR CHROMATE
- 3 HOUSING: FLAME RETARDANT, UL 94V-0 RATED, THERMOPLASTIC; COLOR: BLACK. SHELL: CARBON STEEL CONTACTS: COPPER ALLOY SCREWLOCKS: ZINC ALLOY
- 4 CONTACTS:
 0.76 MICRO METERS [.000030] MINIMUM GOLD IN MATING AREA.
 2.54 MICRO METERS [.000100] MINIMUM TIN ON COMPLIANT PIN.
 ALL OVER 1.27 MICRO METERS [.000050] MINIMUM NICKEL.
 OR
 GOLD FLASH OVER PALLADIUM NICKEL.
 0.76 MICRO METERS [.000030] MINIMUM TOTAL IN MATING AREA.
 2.54 MICRO METERS [.000100] MINIMUM TIN ON COMPLIANT PIN.
 ALL OVER 1.27 MICRO METERS [.000050] MINIMUM NICKEL.

5747715-2
PART NUMBER

THIS DRAWING IS A CONTROLLED DOCUMENT. DIMENSIONING AND TOLERANCING PER ASME Y14.5M-2009		DIN A. FERNANDEZ-DOCKS 04-01-05	04-01-05	STE TE Connectivity	
DIMENSIONS: INCHES		CHK S. BOLASH 04-01-05	04-01-05	NAME RCPT ASSY, SIZE 4, 37 POSN, AMPLIMITE HD-20, MDM PROFILE, W/ ACTION PIN CONT & METAL SHELL.	
TOLERANCES UNLESS OTHERWISE SPECIFIED:		APPV M. WALMSLEY 04-01-05	04-01-05	PRODUCT SPEC 108-40014	
0 PLC ± -				APPLICATION SPEC 114-40026	
1 PLC ± -				SIZE A1	
2 PLC ± -				CAGE CODE 00779	
3 PLC ± .005				DRAWING NO 5747715	
4 PLC ± -				RESTRICTED TO CUSTOMER DRAWING	
ANGLES ± °				SCALE 4:1	
MATERIAL				SHEET 1 OF 1	
FINISH				REV C	