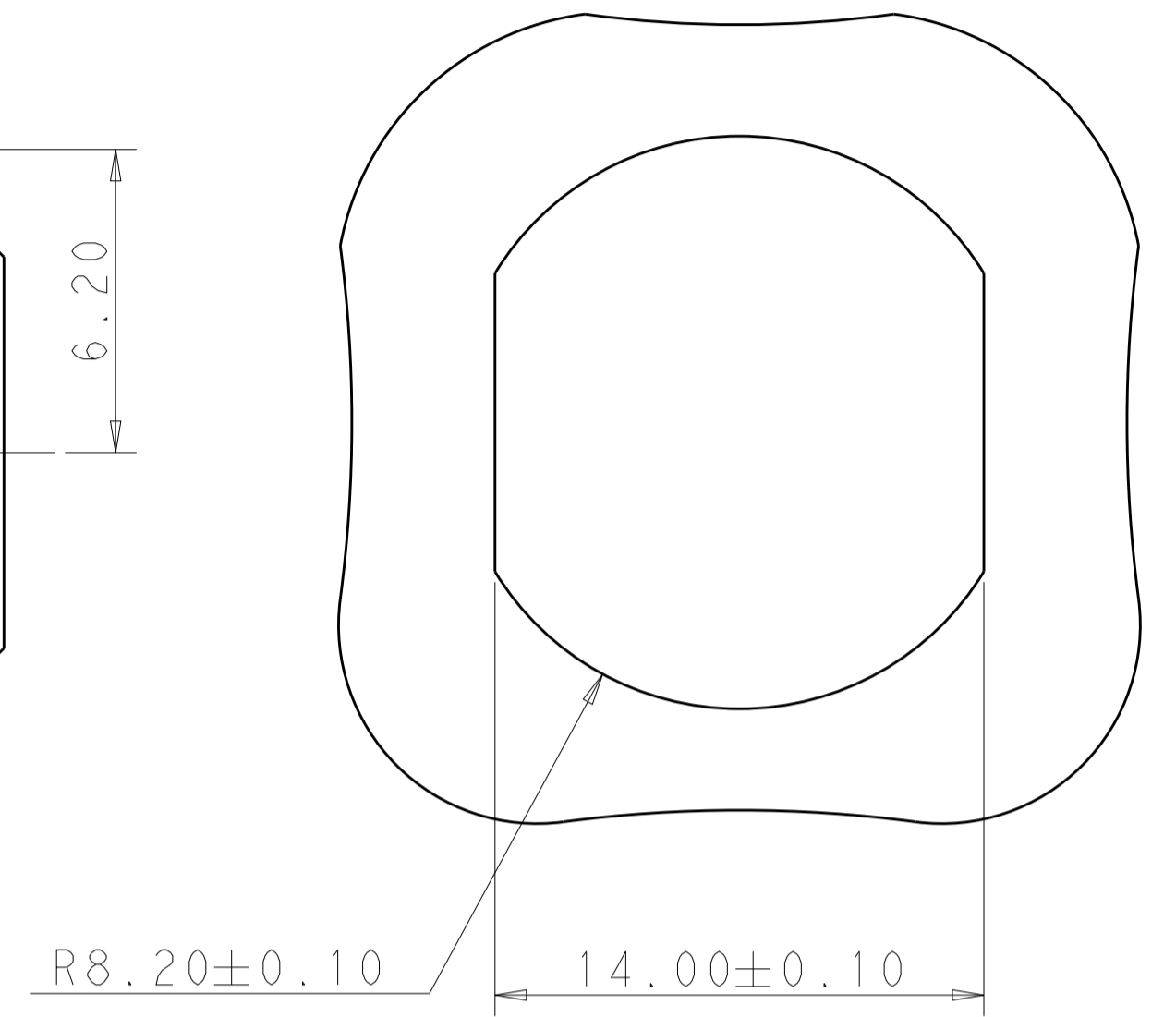
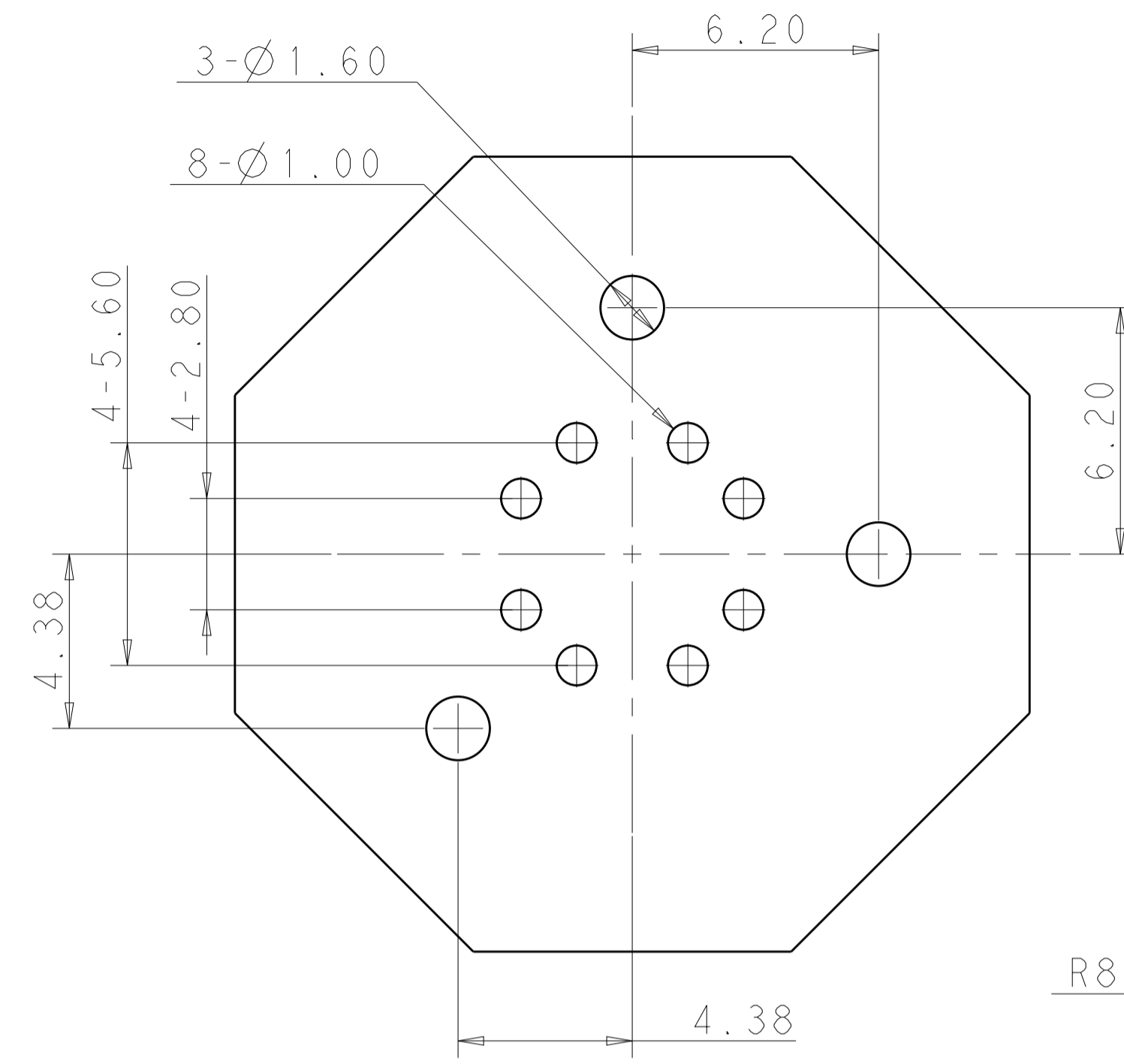
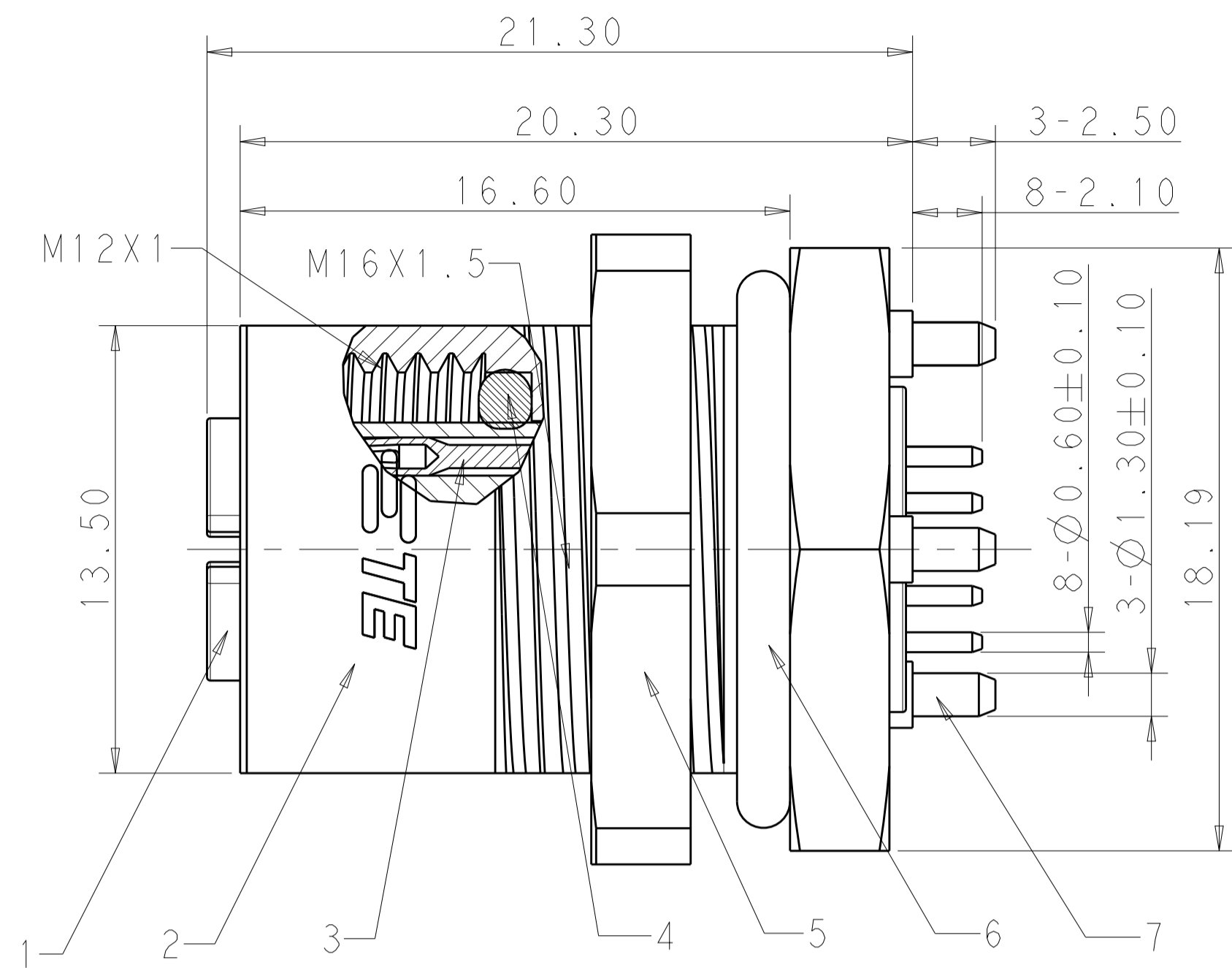
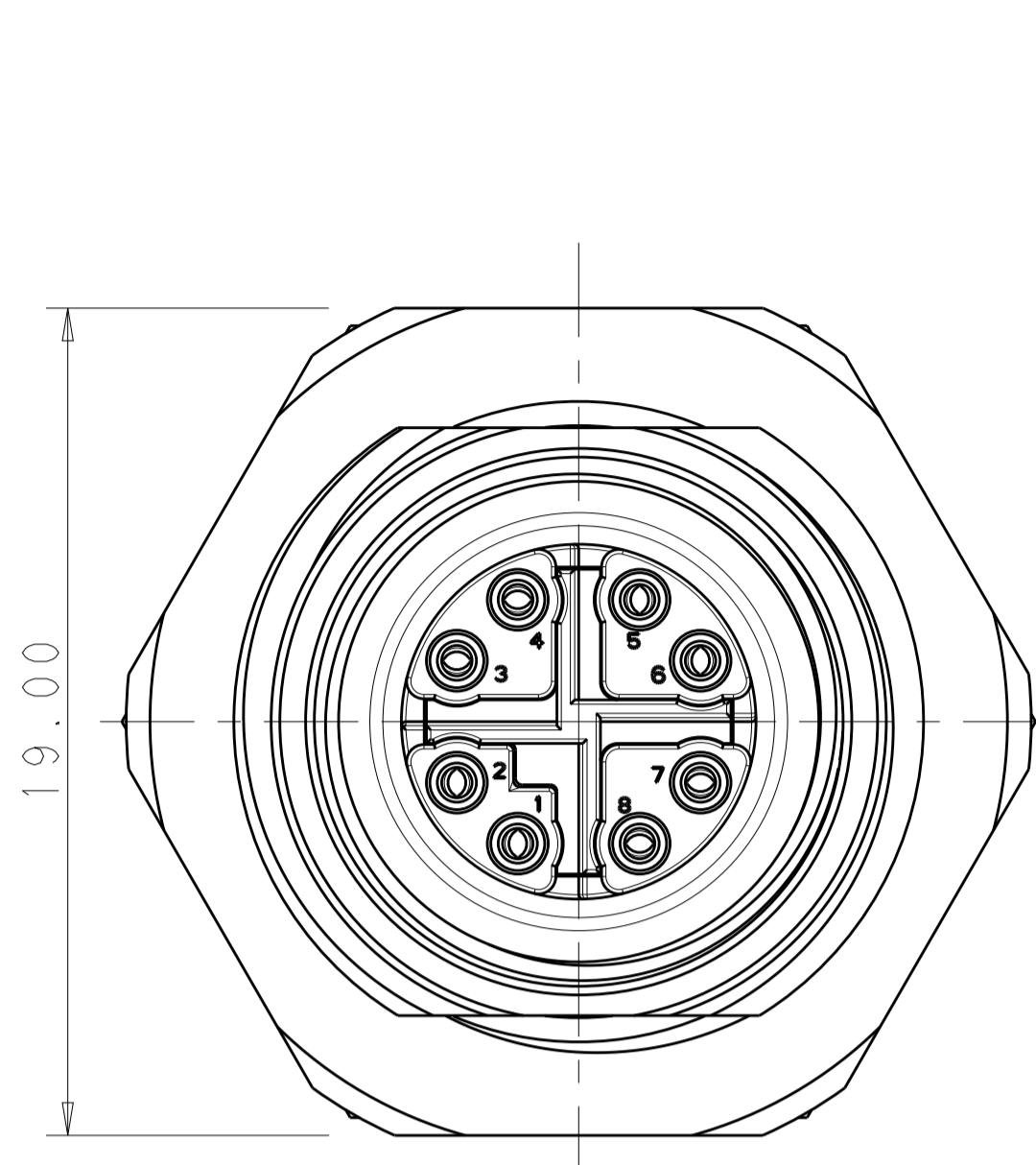


LOC		DIST		REVISIONS			
P	LTH	DESCRIPTION	DATE	DWN	APVD		
1		CREATE DRAWING	10-Aug-13	K. Z	P. Y		
A2		OFFICIAL INITIAL RELEASE	14-Jan-14	K. Z	X. X		
A3		UPDATE DOCUMENT STATUS	30-JUN-14	H. W	X. X		

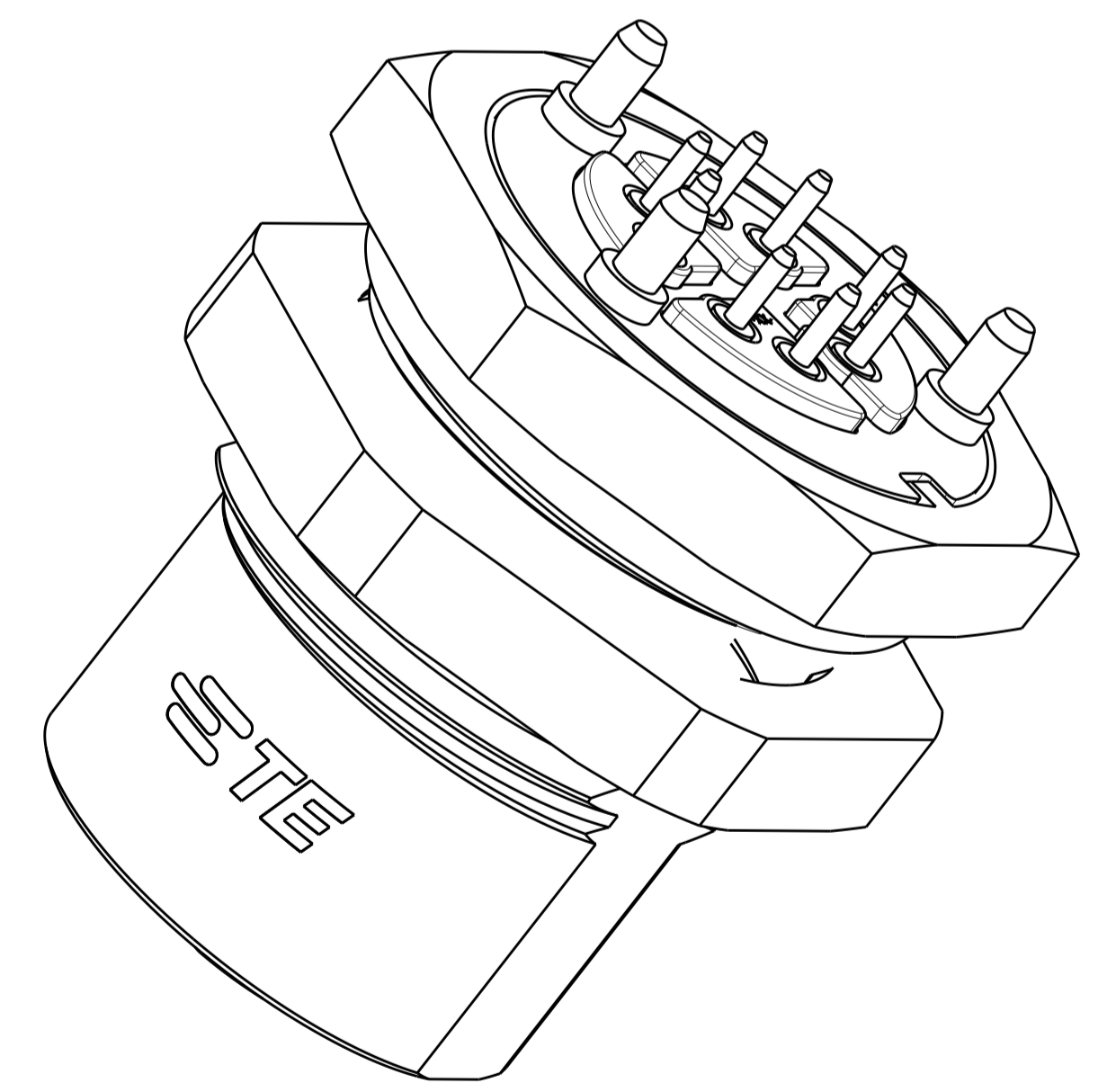
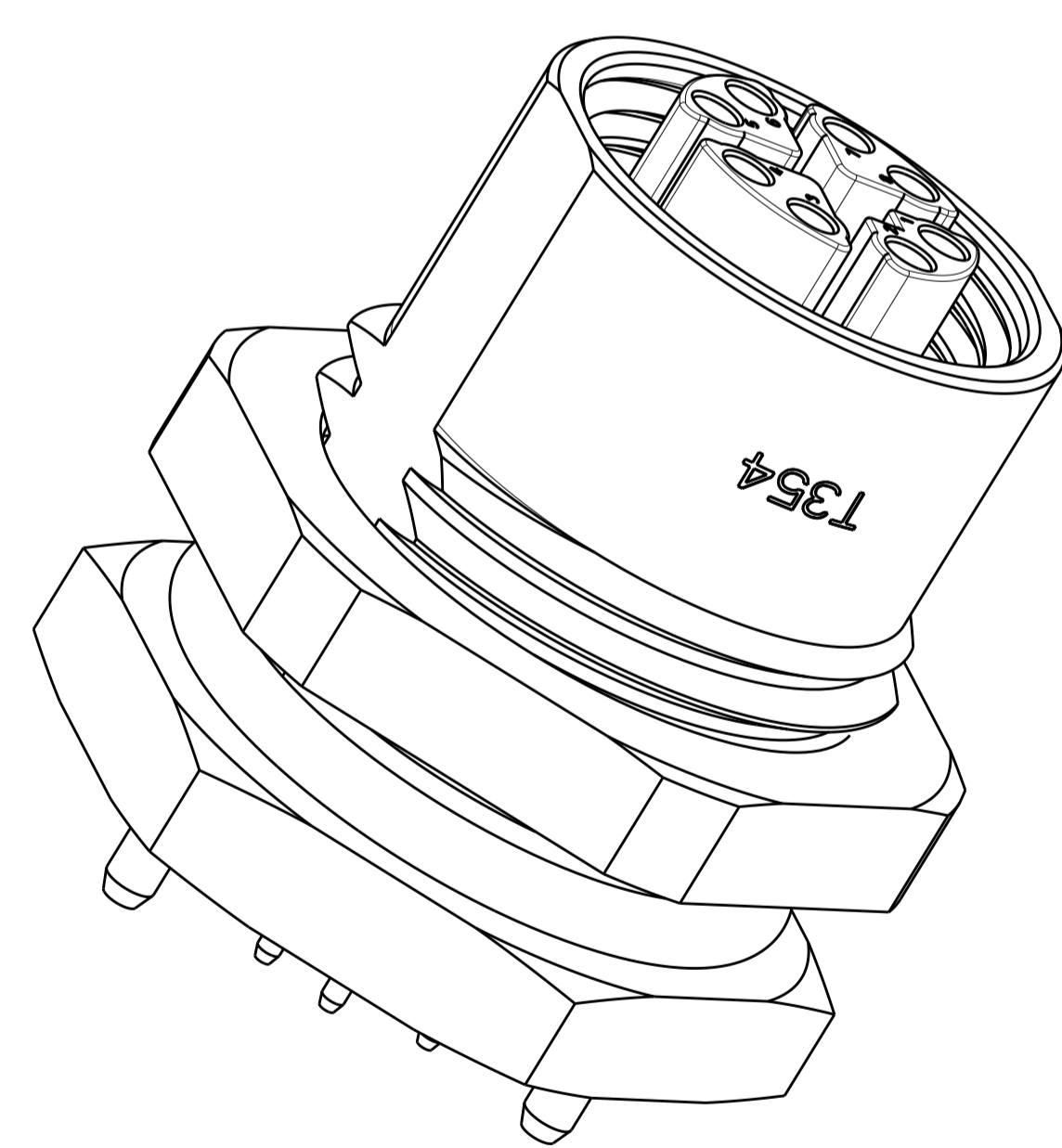


RECOMMENDED PCB LAYOUT
DEFAULT TOLERANCE: ±0.05

RECOMMENDED PANEL HOLE SIZE
4.5mm MAX PANEL THICKNESS

SPECIFICATION:

1. M12 CAT6a 8P RECEPTACLE REAR MOUNT SHIELDED TYPE.
2. RATING VOLTAGE: 48V, RATING CURRENT: 0.5A.
3. CONTACT RESISTANT: 5 mOhm MAX.
4. INSULATION WITHSTAND: 100 MOhm MIN.
5. PROTECTION: IP67.
6. TEMPERATURE RANGE: -40°~70°.
7. TRANSMISSION CHARACTERISTICS: CAT6a.
8. RECOMMENDED PCB THICKNESS: 1.60±0.13MM
9. RECOMMENDED SOLDER PROCESS: WAVE SOLDER WITH 260°C PEAK TEMP.



ITEM	DESCRIPTION	MATERIAL	FINISH/COLOR
1	INSERT HOUSING	PA	BLACK
2	COUPLING SHEATH	ZINC ALUMINUM ALLOY	NICKEL OVER COPPER
3	SOCKET CONTACT	COPPER ALLOY	GOLD OVER NICKEL
4	SEALER RING	LSR	BLACK
5	HEXAGONAL	COPPER ALLOY	NICKEL OVERALL
6	SEALER RING	LSR	BLACK
7	CROSS SHIELDED	ZINC ALUMINUM ALLOY	NICKEL OVER COPPER

2232331-1
PART NO

THIS DRAWING IS A CONTROLLED DOCUMENT. DWN: Robby Zhao 01-Jul-14
CHK: Xiang Yu 01-Jul-14

DIMENSIONS: mm
TOLERANCES UNLESS OTHERWISE SPECIFIED:
0 PLC ±0.3
1 PLC ±0.20
2 PLC ±0.20
3 PLC ±0.20
4 PLC ±0.20
ANGLES ±0.5

MATERIAL: - FINISH: -

Customer Drawing

APVD: Xiang Yu 01-Jul-14
PRODUCT SPEC: 108-137008
APPLICATION SPEC: 114-137008
WEIGHT: -

NAME: REAR PANEL MOUNT PCB CONNECTOR M12 X-CODE
SIZE: A1
CAGE CODE: 2232331
DRAWING NO: 100779
RESTRICTED TO: -

SCALE: 6:1 SHEET 1 OF 1 REV: A3

TE Connectivity