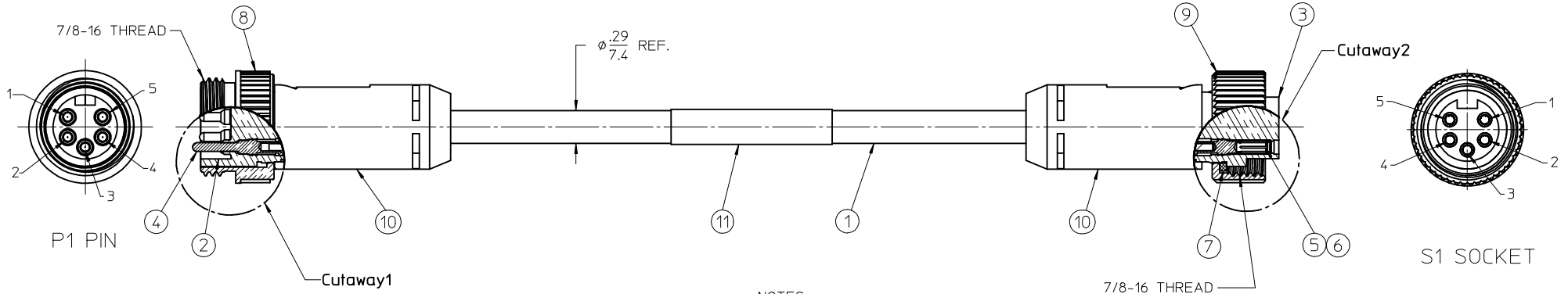
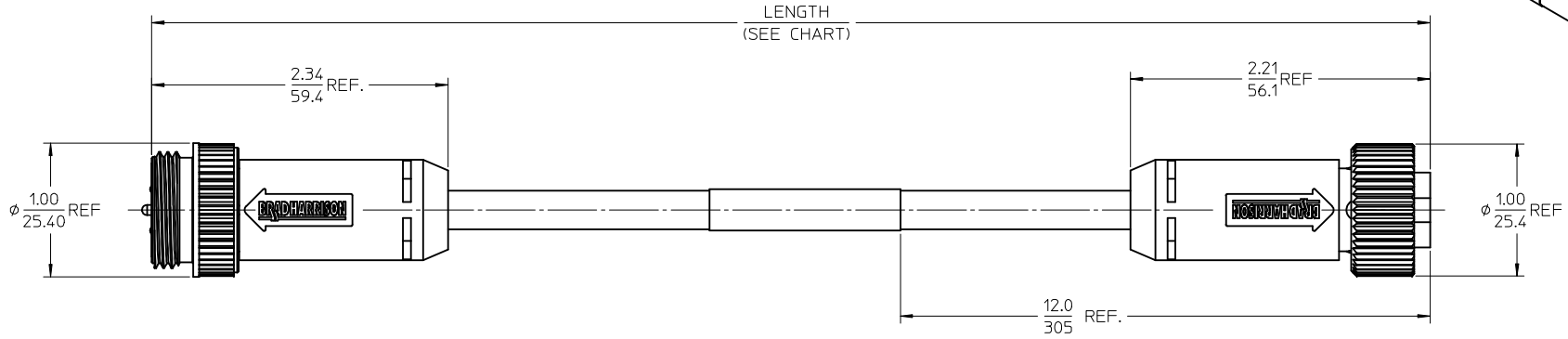
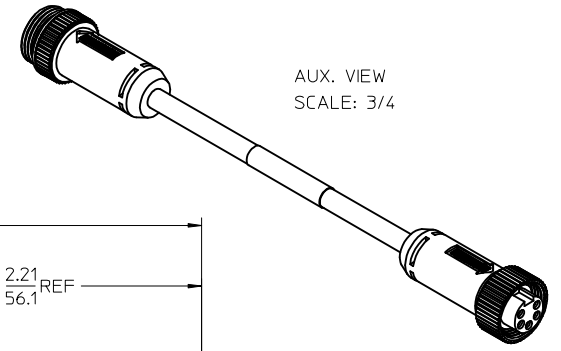


PART NUMBER	ENGINEERING NO.	LENGTH
1300250287	DND11A-M010	3' 3" +2.19 - 0 [1.0M +55.6 - 0]
1300250292	DND11A-M030	9' 10" +3.50 - 0 [3.0M +88.9 - 0]
1300250295	DND11A-M050	16' 5" +6.50 - 0 [5.0M +165.1 - 0]



NOTES:

1. MATERIAL: SEE TABLE
2. FINISHES: SEE TABLE
3. CABLE ASSEMBLIES ARE BAGGED SEPERATELY IN POLY BAGS WITH BARCODE LABEL ATTACHED TO OUTSIDE OF BAG
4. WRAP LABEL IS MARKED WITH P/N, DATE CODE VOLTAGE & AMPERAGE
5. MATES WITH: MINI CHANGE, A-SIZE 5 POLE
6. ELECTRICAL SPECIFICATIONS:
VOLTAGE RATING: 300V
CURRENT RATING: 4 AMPS
7. ASSEMBLY IS RoHS COMPLIANT

P1		S2	
1	DRAIN	1	
2	RED +V	2	
3	BLACK -V	3	
4	WHITE CAN H	4	
5	BLUE CAN L	5	

WIRING DIAGRAM

ITEM	QTY.	DESCRIPTION	MATERIAL	FINISH
11	1	LABEL	PLASTIC FILM	BLACK/YELLOW
10	2	OVERMOLD	PVC	GRAY
9	1	COUPLING NUT, FEMALE THREAD	ZINC DIE CAST	BLACK
8	1	COUPLING NUT, MALE THREAD	ZINC DIE CAST	BLACK
7	1	FRICITION RING	NYLON	WHITE
6	5	CONTACT SOCKET, 22 AWG	BRASS	GOLD PLATED
5	5	SOCKET SLEEVE	ST. STEEL	
4	5	CONTACT PIN, 22 AWG	BRASS	GOLD PLATED
3	1	INSERT, FEMALE, 5 POLE	PVC	GRAY
2	1	INSERT, MALE, 5 POLE	PVC	GRAY
1	1	CABLE - THIN-STD. DEV-NET, DROP. 4/22	PVC JACKET	GRAY

RELEASED EC NO: MNA2010-0073 DRAWN BY: DRWINRSTONE 2009/07/31 CHKD BY: WOODMAN APPR: J.MURPHY 2009/08/10	QUALITY SYMBOLS ▽=0 ▽=0	GENERAL TOLERANCES (UNLESS SPECIFIED)		DIMENSION STYLE IN/MM		SCALE 1.5:1	DESIGN UNITS INCH	THIRD ANGLE PROJECTION	
		4 PLACES ± --- ± --- 3 PLACES ± --- ± --- 2 PLACES ± --- ± --- 1 PLACE ± --- ± ---	mm INCH	DRAWN BY R.STONE	DATE 2009/07/30	TITLE MINI-CHANGE 5 POLE M/F, DEVICE NET DROP CABLE - STD. THIN			
		ANGULAR ±1/2°		CHECKED BY B.WOODMAN	DATE 2009/07/31	MOLEX INCORPORATED			
		DRAFT WHERE APPLICABLE MUST REMAIN WITHIN DIMENSIONS		APPROVED BY J.MURPHY	DATE 2009/08/03	DOCUMENT NO. SD-130025-019	SHEET NO. 1 OF 1		

THIS DRAWING CONTAINS INFORMATION THAT IS PROPRIETARY TO MOLEX INCORPORATED AND SHOULD NOT BE USED WITHOUT WRITTEN PERMISSION