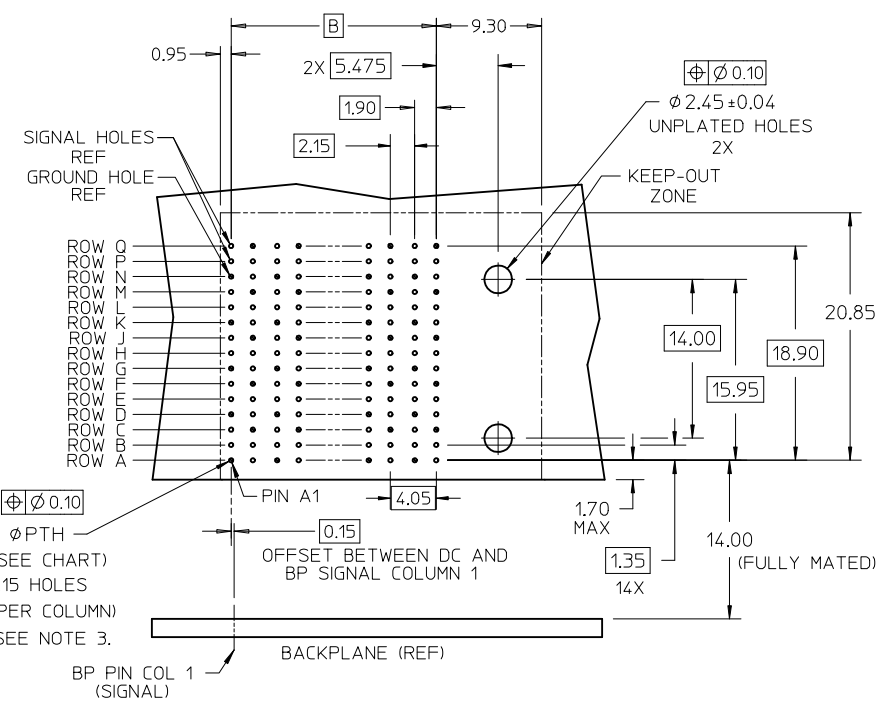
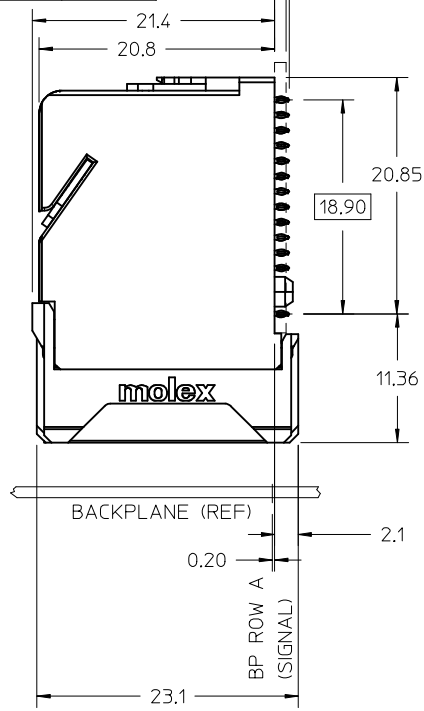
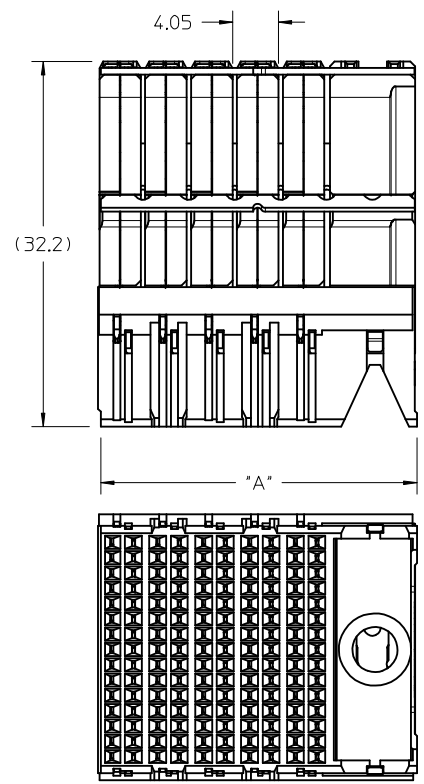
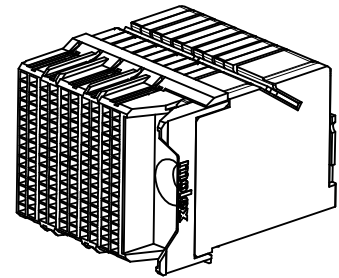


MATERIAL NUMBER	# OF COLUMNS	# OF DIFF PAIR	DIM "A" MAX	DIM "B"	PTH ϕ
76990-5008	8	40	24.30	14.05	0.46 \pm 0.05
76990-5038	8	40	24.30	14.05	0.39 \pm 0.05
76990-5010	10	50	28.35	18.10	0.46 \pm 0.05
76990-5020	10	50	28.35	18.10	0.39 \pm 0.05
76990-5012	12	60	32.40	22.15	0.46 \pm 0.05
76990-5022	12	60	32.40	22.15	0.39 \pm 0.05

76990-~~*~~0~~**~~

MODULE & TAIL PLATING TYPE
5 = RIGHT GUIDED, TIN

OF COLUMNS
08 = 8 COL 0.46 PTH
38 = 8 COL 0.39 PTH
10 = 10 COL 0.46 PTH
20 = 10 COL 0.39 PTH
12 = 12 COL 0.46 PTH
22 = 12 COL 0.39 PTH



DAUGHTERCARD HOLE PATTERN
(CONNECTOR SIDE)

- NOTES:
1. MATERIALS: HOUSING - LIQUID CRYSTAL POLYMER (LCP), GLASS-FILLED, UL94V-0
TERMINALS - HIGH PERFORMANCE COPPER ALLOY
 2. FINISH: 30 μ IN MIN GOLD IN CONTACT AREA, SELECTIVE TIN ON PCB TAILS. NICKEL OVERALL.
 3. REFER TO MOLEX PRODUCT SPEC PS-76060-999 FOR PERFORMANCE SPECIFICATIONS AND ADDITIONAL PCB INFORMATION.
 4. EACH SIGNAL WAFER CONTAINS 2 COLUMNS OF TERMINALS.
 5. PRODUCT IS PACKAGED PER PK-70873-611.
 6. THIS PART CONFORMS TO CLASS B REQUIREMENTS OF COSMETIC SPEC PS-45499-002.
 7. REFER TO MOLEX SALES DRAWING SD-76985-003 FOR THE MATING HEADERS.
 8. WHEN USING MOLEX SUPPLIED #2-32 SCREW 73726-0000 (9.50mm \pm 0.38 THREADABLE SCREW LENGTH), THE MAXIMUM BOARD THICKNESS IS 4.4mm.
 9. REFER TO MOLEX ROUTING GUIDE AS-76850-990 FOR ADDITIONAL PCB LAYOUT AND ROUTING RECOMMENDATIONS.

REMOVE TIN-LEAD REF EC NO: UCP2015-5541 DRAWN BY MILLER 2015/06/29 CHKD: APPR:TELO 2015/07/07	QUALITY SYMBOLS =0 =0	GENERAL TOLERANCES (UNLESS SPECIFIED)	DIMENSION STYLE MM ONLY	SCALE 3:1	DESIGN UNITS METRIC	THIRD ANGLE PROJECTION
		4 PLACES \pm --- \pm --- 3 PLACES \pm --- \pm --- 2 PLACES \pm 0.15 \pm --- 1 PLACE \pm 0.25 \pm --- ANGULAR \pm 1/2 $^\circ$	DRAWN BY JLAURX DATE 4/29/09	CHECKED BY TELO DATE 2010/01/13	APPROVED BY JB INGHAM DATE 2010/01/14	IMPACT DAUGHTERCARD 5 PAIR ORTHOGONAL GUIDE RIGHT SALES DWG
D1	REV	DRAFT WHERE APPLICABLE MUST REMAIN WITHIN DIMENSIONS	SEE CHART	MATERIAL NO. SD-76990-004	DOCUMENT NO.	SHEET NO. 1 OF 1

THIS DRAWING CONTAINS INFORMATION THAT IS PROPRIETARY TO MOLEX INCORPORATED AND SHOULD NOT BE USED WITHOUT WRITTEN PERMISSION