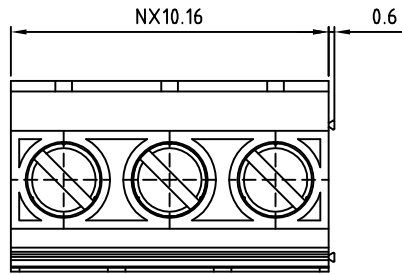


SIGN	DATE	DESCRIPTION	APPROVER
		<i>THIS IS CAD DRAWING, DO NOT REVISE MANUALLY!!!</i>	



- Material**
- Terminal body (metal housing) : Steel stamping
 - Terminal screw : Steel Zinc plating "-" slot type
 - Contacts : Brass
 - Surface of solder tail : Tin plated
 - Insulator (housing) : Thermoplastic (UL94V-0)

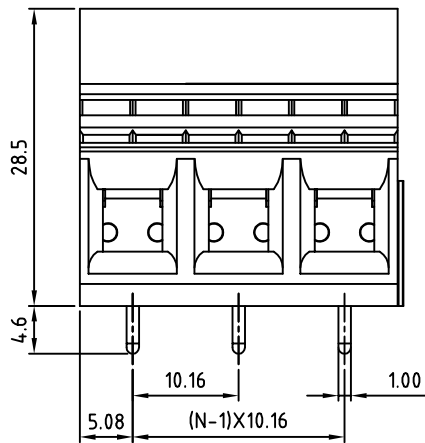
- Electrical**
- Voltage rating : 300V
 - Current rating : 57A
 - Wire range :
Solid wire (AWG) : 8-22
Stranded wire (AWG) : 8-22
 - Torque (LB-In.) : 19
 - Screw : M4
 - Wire strip length : 10-11mm
 - Withstanding voltage : 1.6KV
 - Operating temperature : -30°C+105°C
 - Soldering temperature : 250°C+10°C/5 Sec
 - Safety Approval : US

RoHS Compliant

PART NUMBER:

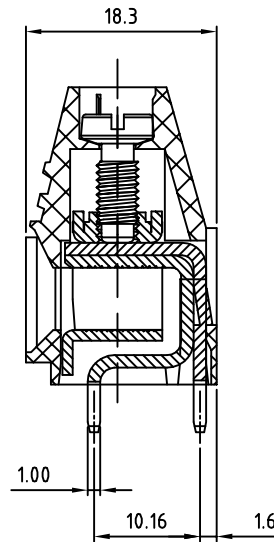
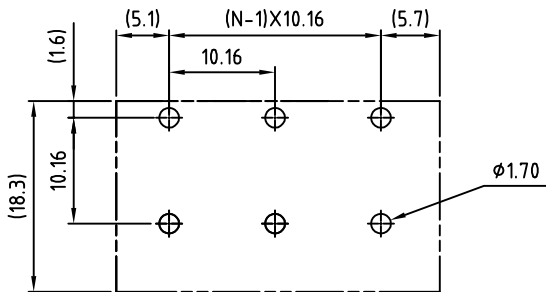
OSTVPXX6584

No. of Poles	COLOR
02 2 Poles	0: Black
03 3 Poles	5: Green
... ..	6: Blue
12 12 Poles	8: Grey (Standard)



N=Number of poles

P.C.B LAYOUT



THESE DRAWINGS AND SPECIFICATIONS ARE THE PROPERTY OF ON-SHORE TECHNOLOGY, INC. AND SHALL NOT BE REPRODUCED, COPIED OR USED IN ANY MANNER WITHOUT THE PRIOR WRITTEN CONSENT OF ON-SHORE TECHNOLOGY, INC.



TITLE		OSTVP 10.16 Series (Single contact) with steel stamping			
PART NO.	OSTVPXX6584	DWG NO.	OSTVPXX6584.DWG		
APPROVED	CHECKED	DESIGNED	DRAWN	CUST NO.	Tolerance
Shi Jun 2006.10.23	Marvin 2006.10.23	Marvin 2006.10.23	Marvin 2006.10.23		X. ±0.50 X.X ±0.30 X.XX ±0.10 X° ±1°
				SHEET: 01/01	UNIT: mm SCALE: NONE REV.: G