



5  
0  
0  
0  
0  
0  
0

[Request a quote](#)

[Catalog](#)

1B

68

0.00 - 0.00 mm

## TECHNICAL DETAILS

### Mechanics

Shell Style/Model	HM*: Fixed receptacle with grounding tab, nut fixing, watertight or vacuum-tight (back panel mounting)
Keying	1 key (alpha=0, plug: male contacts, receptacle: female contacts)
Housing Material	Brass (chrome plated) shell and collet nut, nickel plated brass latch sleeve and mid pieces
Cable Fixing	∅0 - 0 mm
Variant	P : Watertight

### Performance

Configuration	1B.305 : 5 Low Voltage
Insulator	L: PEEK
Rated Current	9 Amps

### Specifications

Contact Type: Special

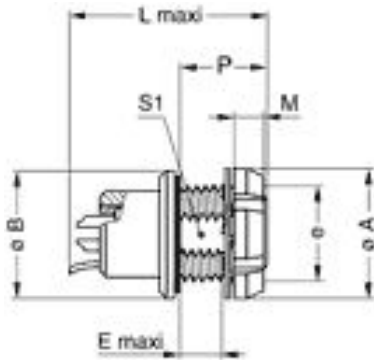
### Others

Temp (min / max): -20° C / +80° C  
Humidity (max): <=95% [at 60 deg C / 140 F]  
Vibration: 15 g [10 Hz - 2000 Hz]

Shock Resistance: 100 g [ 6 ms]  
 Salt Spray Corrosion: >144 hr  
 Climatical Category: 20/80/21  
 Shielding (min): 75 dB (10 MHz)  
 Shielding (min): 40 dB (1 GHz)  
 Pressure: 60 bars  
 IP Rating: 68

## DRAWINGS

### Draws



### Dimensions

	A	B	E	L	M	P	S1	e
mm.	16	18	5.5	26	3.5	11	10.5	M12x1.0
in.	0.63	0.71	0.22	1.02	0.14	0.43	0.41	

## RECOMMENDED BY LEMO

### Tools

Spanner: DCH.91.161.PA

### Cables

LC.9807		Grey	
LC.PRN05.2401			
LC.PRN05.2402			
LC.PRN05.2402A			