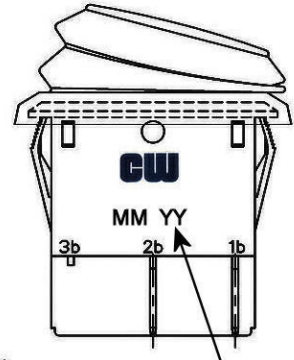
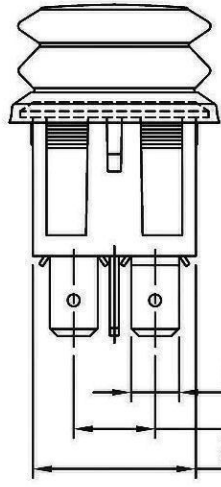
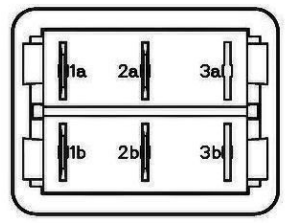
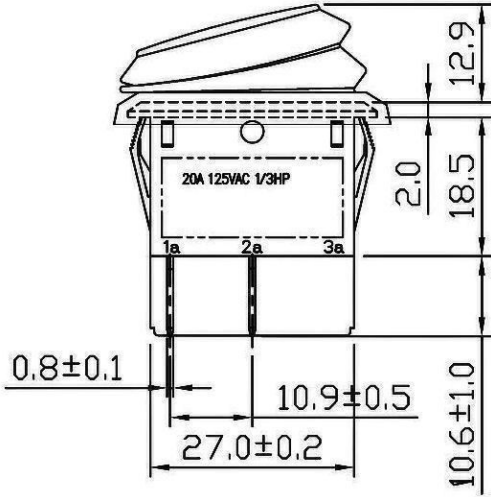
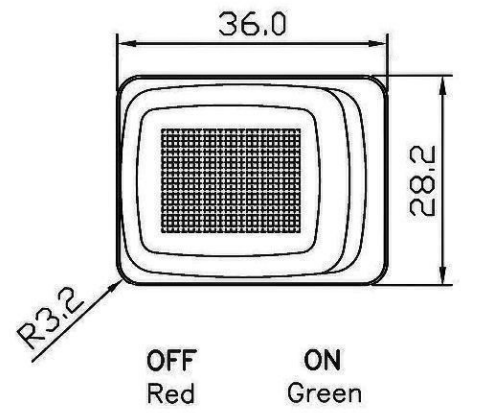


THIS INFORMATION IS CONFIDENTIAL AND PROPRIETARY TO CW INDUSTRIES INCORPORATED AND ITS AFFILIATES. IT MAY NOT BE DISCLOSED TO ANYONE, OTHER THAN CW INDUSTRIES PERSONNEL, WITHOUT WRITTEN AUTHORIZATION FROM CW INDUSTRIES INCORPORATED, SOUTHAMPTON, PENNSYLVANIA USA.

Rating	20A125V AC 1/3HP	Mounting Hole 	Circuit Diagram Switch off, red LED lighten 												
Contact Resistance	50m ohm Max.														
Insulation Resistance	DC 500V 100M ohm Min.	<table border="1"> <tr> <th>Thickness</th> <th>X</th> <th>Y</th> </tr> <tr> <td>0.75...1.25</td> <td>30.2-0.1</td> <td>22.2+0.1</td> </tr> <tr> <td>1.25...2</td> <td>30.4-0.1</td> <td>22.2+0.1</td> </tr> <tr> <td>2...4</td> <td>30.8-0.1</td> <td>22.2+0.1</td> </tr> </table>	Thickness	X	Y	0.75...1.25	30.2-0.1	22.2+0.1	1.25...2	30.4-0.1	22.2+0.1	2...4	30.8-0.1	22.2+0.1	Switch on, green LED lighten
Thickness	X		Y												
0.75...1.25	30.2-0.1		22.2+0.1												
1.25...2	30.4-0.1	22.2+0.1													
2...4	30.8-0.1	22.2+0.1													
Dielectric Strength	AC 1500V 1 minute														
Operation Temperature	-25°C~85°C.														
Switch Function	4P DPST ON-OFF Lamp Dependent														
Lamp Type	LED 125VAC 110V w/resistor														



Date Code

***MATERIAL:**
 Frame: Black, Nylon 66 (94-V2)
 Actuator: Clear, PC (94-V2)
 Terminals: Silver plated, Copper alloy
 Waterproof Rubber: Silicone
 Tolerance: ±0.3mm unless otherwise specified
***Waterproof: IP-65**

RoHS Compliant

2 Added Dependent to function, dated code to drawing and Lamp Type. 12/18/2011.
1 IP-65 WAS IP56. 1/11/11

CW INDUSTRIES
 Southampton, Pa. 18966
 Tel 215.355.7080/www.cwind.com

Date Drawn: 9/19/08

Rev. 2

Unit: mm

Checked By: *G. Gold*

Title: **ROCKER SWITCH**

CW P/N: **GRB285A8L101GR4**