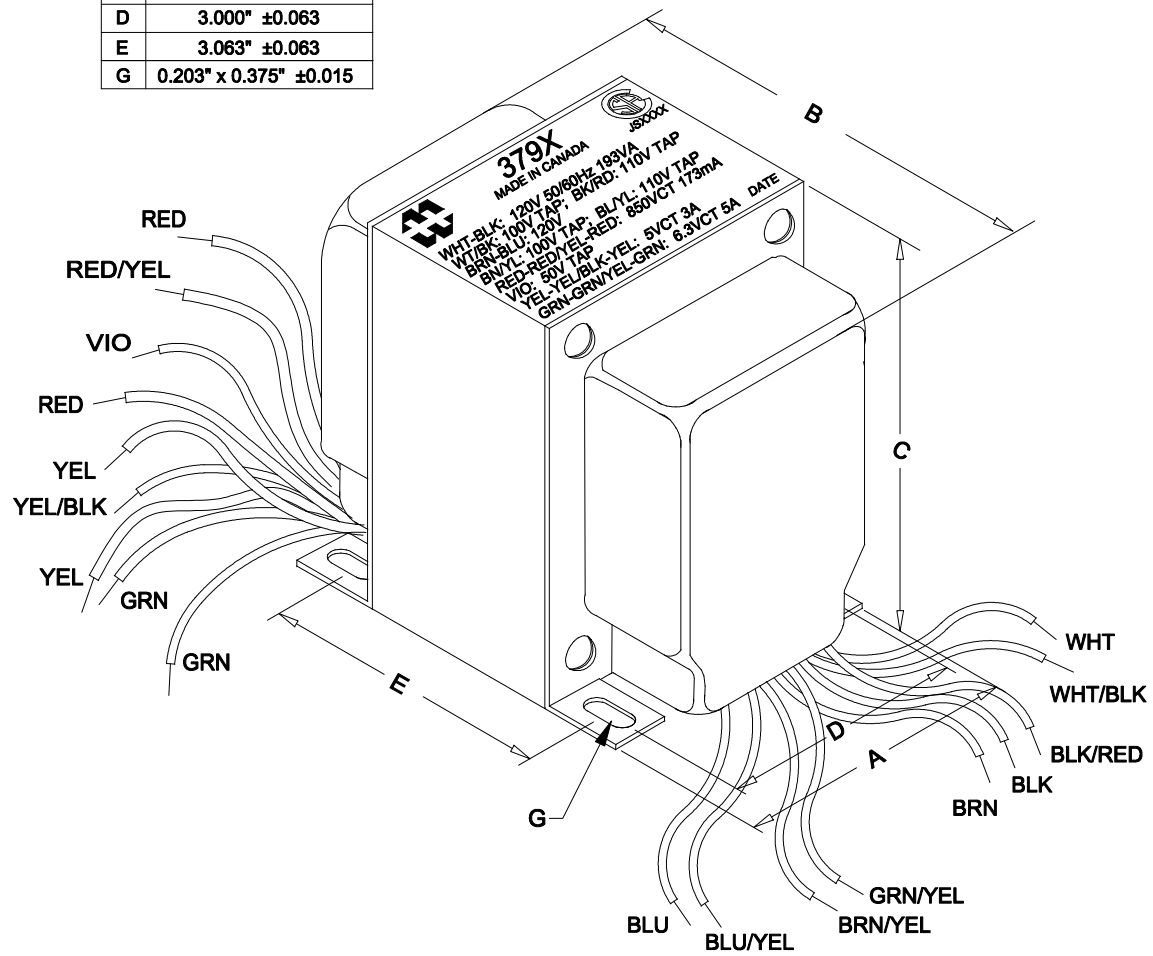
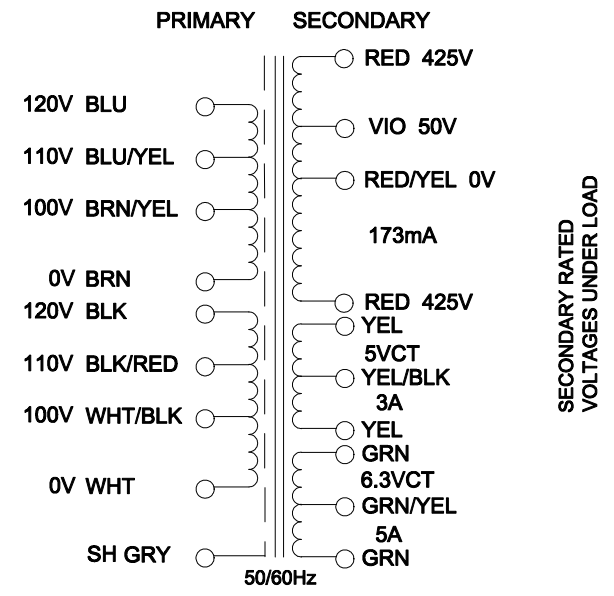


| DIMENSIONS: | |
|-------------|------------------------|
| A | 3.750" ±0.063 |
| B | 4.188" ±0.125 |
| C | 4.563" ±0.063 |
| D | 3.000" ±0.063 |
| E | 3.063" ±0.063 |
| G | 0.203" x 0.375" ±0.015 |



NOTE: ALL LEADS 8" OUT MIN., STRIPPED .5"



GRY - ELECTROSTATIC SHIELD

| ELECTRICAL DATA: | | |
|------------------|---------------------------------|---------------------|
| TESTS | CONDITIONS | ACCEPTANCE CRITERIA |
| I _{ex} | @ 120V, 60Hz, WHT - BLK | 181.2mA Max. |
| Sec. N.L.V | @ 120V, 60Hz, WHT - BLK | |
| | RED - RED = | 890.8V ±2% |
| | RED - RED/YEL = RED/YEL - RED = | 445.4V ±2% |
| | RED/YEL - VIO = | 50.34V ±2% |
| | YEL - YEL = | 5.393V ±2% |
| | YEL - YEL/BLK = YEL/BLK - YEL = | 2.697V ±2% |
| | GRN - GRN = | 6.742V ±2% |
| | GRN - GRN/YEL = GRN/YEL - GRN = | 3.371V ±2% |
| DCR | @ 20°C, WHT - BLK = | 2.671 Ω ±20% |
| | @ 20°C, BRN - BLU = | 2.911 Ω ±20% |
| | @ 20°C, RED - RED = | 121.9 Ω ±20% |
| | @ 20°C, YEL - YEL = | 0.062 Ω ±20% |
| | @ 20°C, GRN - GRN = | 0.050 Ω ±20% |
| HIPOT | PRIMARY - SECONDARY | 2500V, 60Hz, 1 SEC |

| REV.# | REVISION | DATE |
|-------|-----------|----------|
| 0 | RELEASED. | 09/12/12 |
| | | |
| | | |

HAMMOND MANUFACTURING™ ELECTRONIC DIVISION
 52 RANKIN PLACE, WATERLOO, ONTARIO, N2J 3Z5
 PH # (519) 886-6181 FAX # (519) 886-9540

| | | | |
|------------------|-------------------------|--------------------------|---------------|
| DWG. BY: C. ILIE | CHK'D BY: | TITLE: POWER TRANSFORMER | DWG. NO. 379X |
| DATE: 09/12/12 | APP'D. BY: | | |
| | DIMENSIONS: IN(X) MM() | | |