

4

3

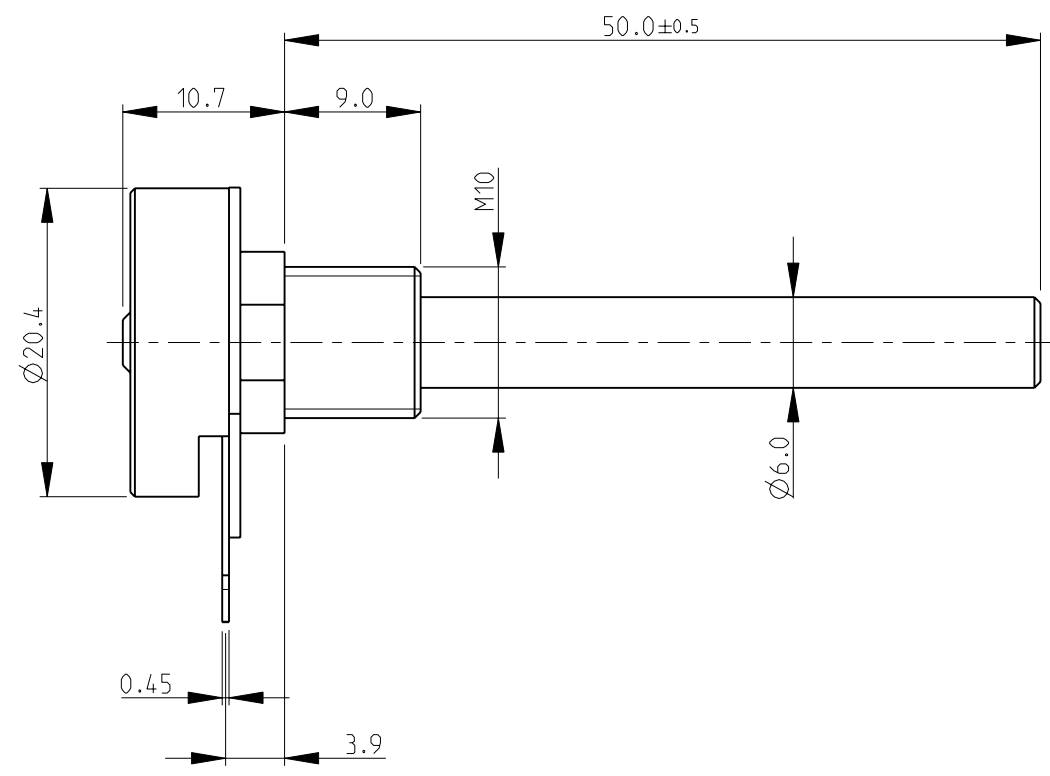
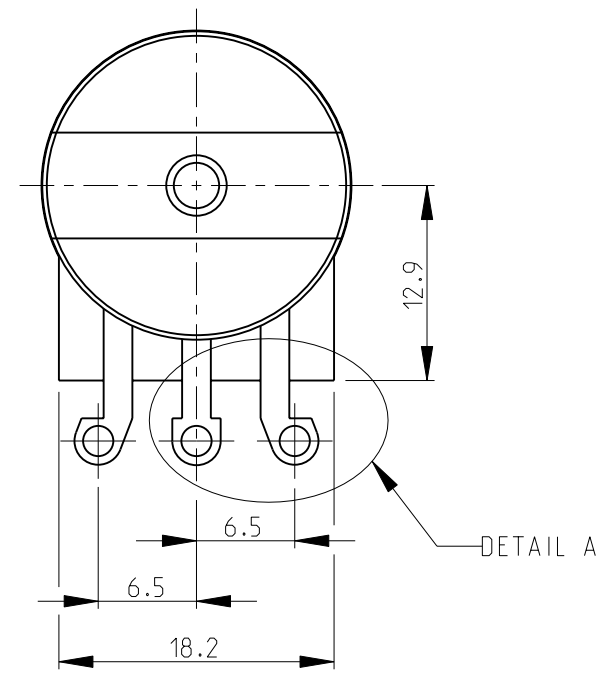
2

1

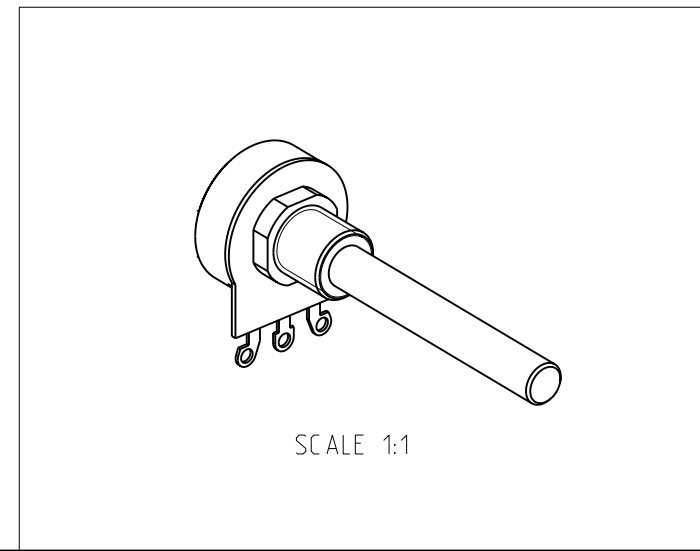
THIS DRAWING IS UNPUBLISHED. RELEASED FOR PUBLICATION 2008  
 © COPYRIGHT 2008 BY TYCO ELECTRONICS CORPORATION. ALL RIGHTS RESERVED.

LOC		DIST		REVISIONS			
P	LTR	DESCRIPTION		DATE	DWN	APVD	
E	B	BA	NEW RELEASE	21-NOV-08	SM	St.P	

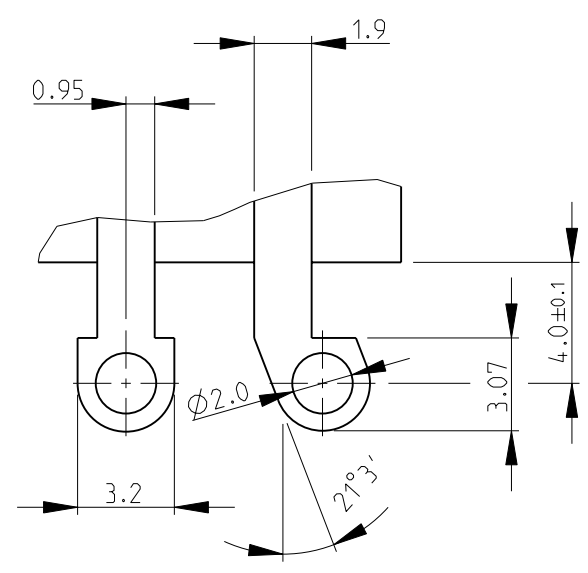
FOR FURTHER INFORMATION SEE DATA SHEET FOR  
 23 SERIES-SPINDLE OPERATED POTENTIOMETER



RoHS Compliant



DETAIL A  
 SCALE 4:1



<small>THIS DRAWING IS A CONTROLLED DOCUMENT FOR TYCO ELECTRONICS CORPORATION          IT IS SUBJECT TO CHANGE AND THE CONTROLLING ENGINEERING ORGANIZATION          SHOULD BE CONTACTED FOR THE LATEST REVISION.</small>		DWN	SUBHASH.M	21-NOV-08	Tyco Electronics Corporation Dorcan, Swindon, SN3 5HH		
DIMENSIONS: mm		CHK	PRAKASH.S	21-NOV-08	NAME		
		APVD	STEPHEN.P	21-NOV-08	SPINDLE OPERATED POTENTIOMETER SERIES 23E		
TOLERANCES UNLESS OTHERWISE SPECIFIED: 0 PLC ±0.2 1 PLC ±0.1 2 PLC ±- 3 PLC ±- 4 PLC ±- ANGLES ±5°		PRODUCT SPEC	-		SIZE	CAGE CODE	DRAWING NO
MATERIAL -		APPLICATION SPEC	-		A3	00779	1624143
FINISH -		WEIGHT	-		RESTRICTED TO		
		CUSTOMER DRAWING			SCALE	SHEET	REV
					2:1	1 OF 1	BA