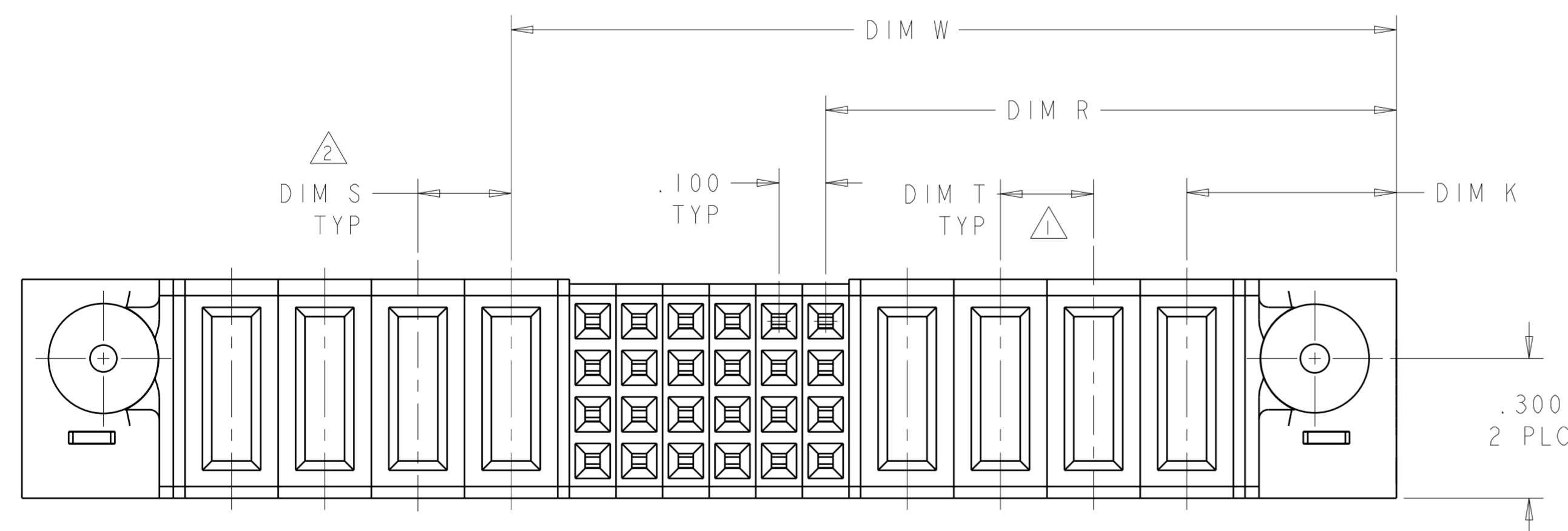
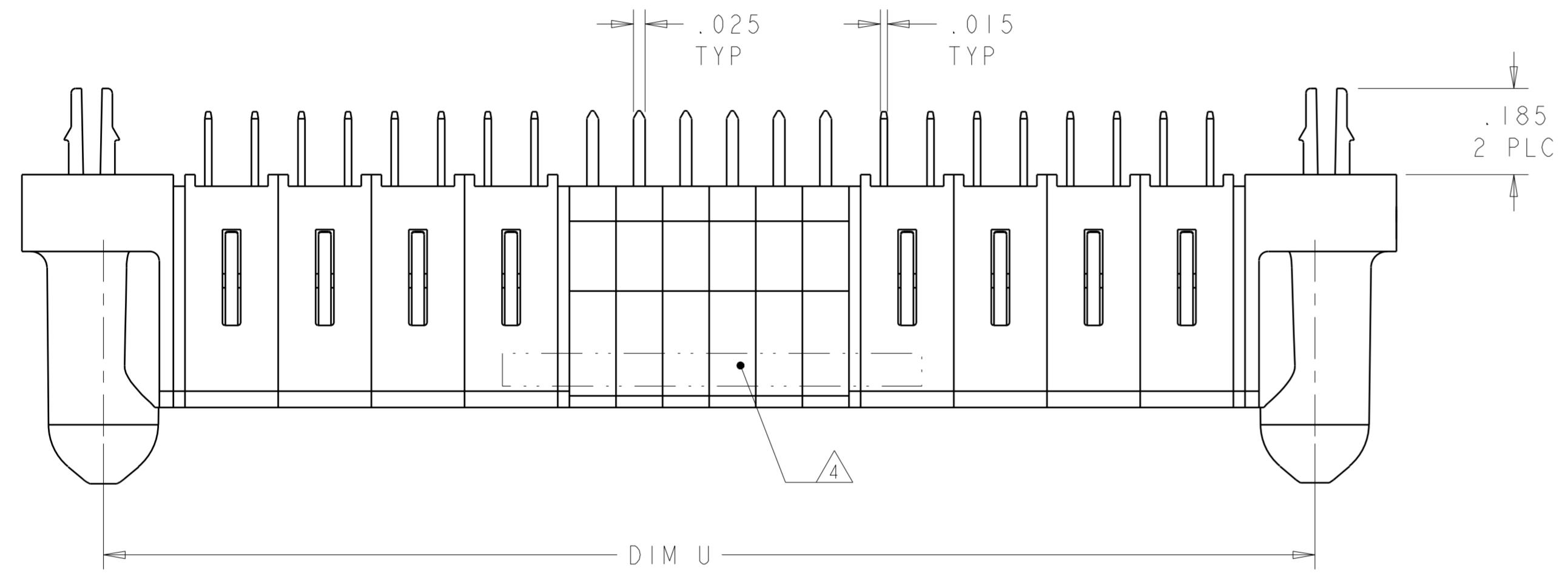
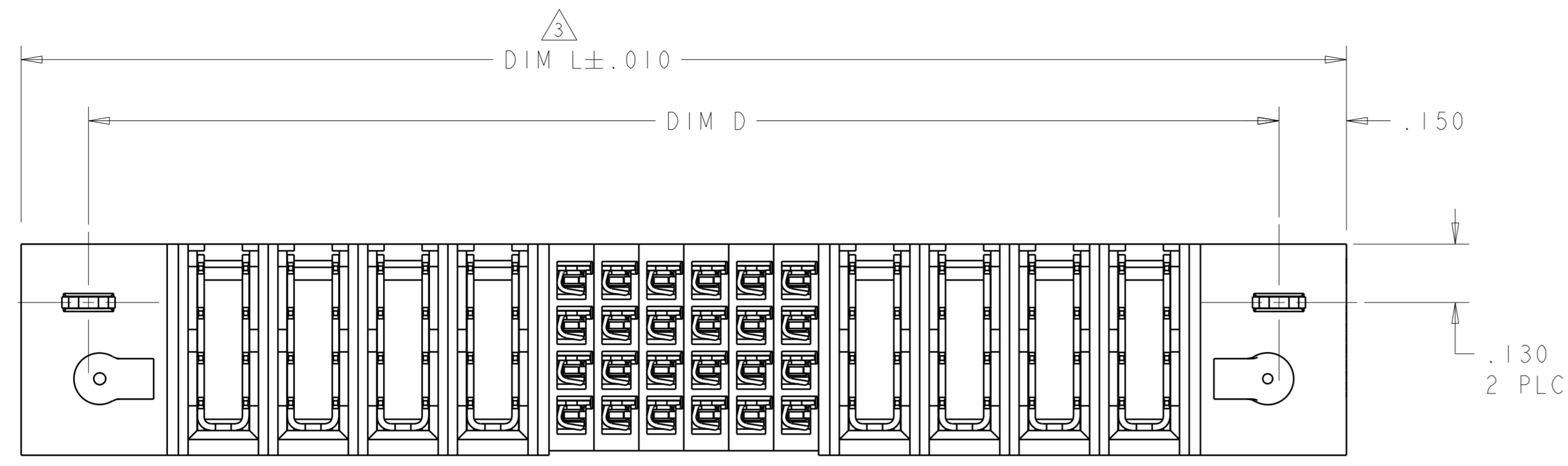
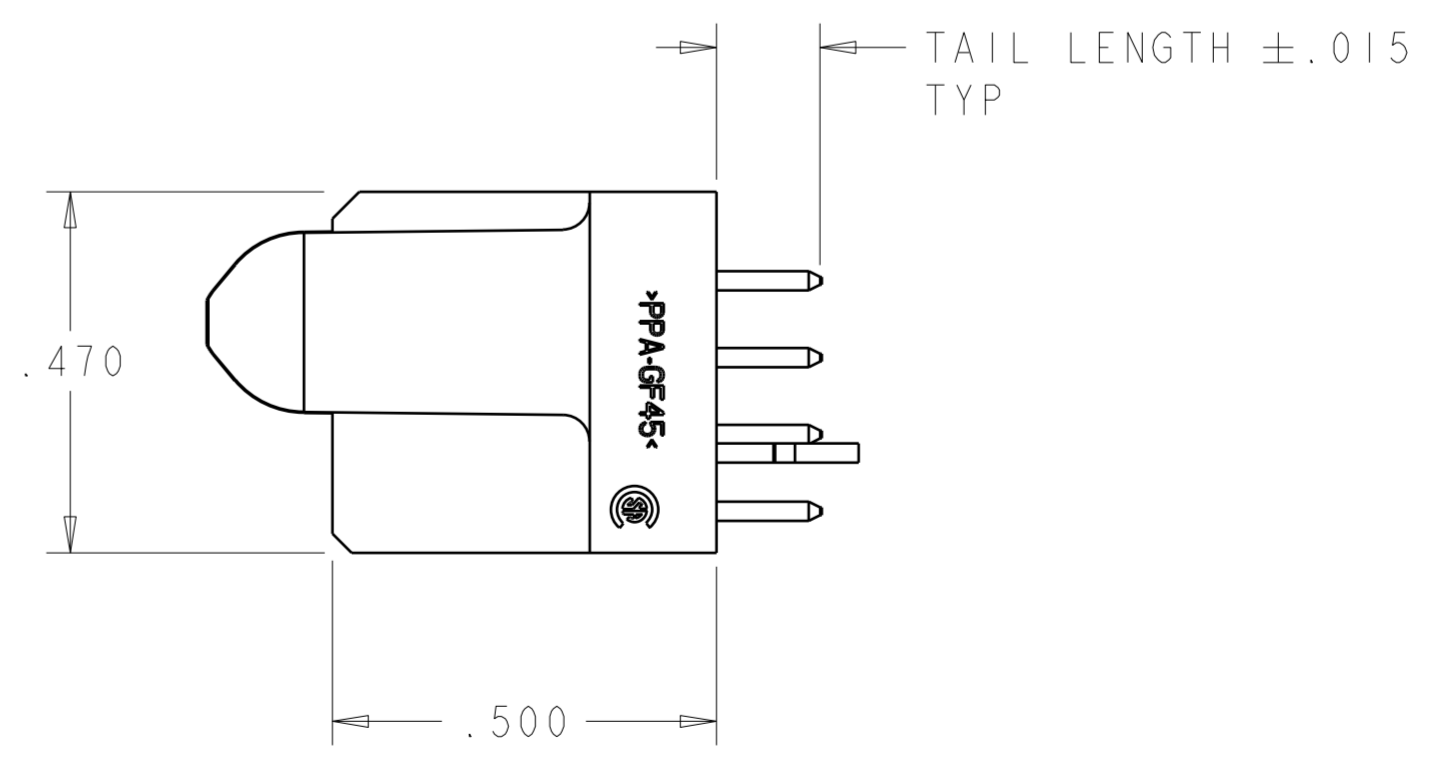


THIS DRAWING IS UNPUBLISHED. RELEASED FOR PUBLICATION
 BY TYCO ELECTRONICS CORPORATION. ALL RIGHTS RESERVED.

LOC		DIST		REVISIONS			
ES	00	REV	DATE	BY	CHK	APP	REV
A		REV PER ECR-06-026139	9NOV2006	DZ	SY		



- △ DIM IS CENTERLINE SPACING OF POWER MODULES ON RIGHT SIDE OF HOUSING.
- △ DIM IS CENTERLINE SPACING OF POWER MODULES ON LEFT SIDE OF HOUSING.
- △ THE MAXIMUM OVERALL LENGTH OF A PART IS 8.00.
- △ PART NUMBER, AND DATE CODE MARKED IN AREA SHOWN. MARKING ON BOTH SIDES PERMITTED FOR PARTS UNDER 2.00 LONG.
- △ MATERIAL:
 HOUSING - GLASS FILLED HIGH TEMP THERMO PLASTIC, UL94 V-0
 SIGNAL CONTACT - HIGH CONDUCTIVITY COPPER ALLOY
 POWER CONTACT - HIGH CONDUCTIVITY COPPER ALLOY
- △ CONTACT PLATING:
 SIGNAL CONTACTS - .000050 MIN Ni UNDER ALL.
 .000030 MIN Au ON CONTACT AREA.
 .000100 MIN Sn AT PCB INTERFACE.
 POWER CONTACTS - .000050 MIN Ni UNDER ALL.
 .000030 MIN Au ON CONTACT AREA.
 .000100 MIN Sn AT PCB INTERFACE.
- △ MECHANICAL CONNECTOR KEEP OUT ZONE.
- △ DATUM AND BASIC DIMENSIONS ESTABLISHED BY CUSTOMER.
- △ PCB - ALL HOLE DIAMETERS ARE FINISHED HOLE SIZES.
- △ PCB - .0453±.0010 DRILLED HOLES PLATED WITH .0003 MIN Sn OVER .001 TO .003 Cu PLATING TO ACHIEVE A .040 HOLE.
- || POWER CONTACT AREA LUBRICATED WITH LUBRICANT.

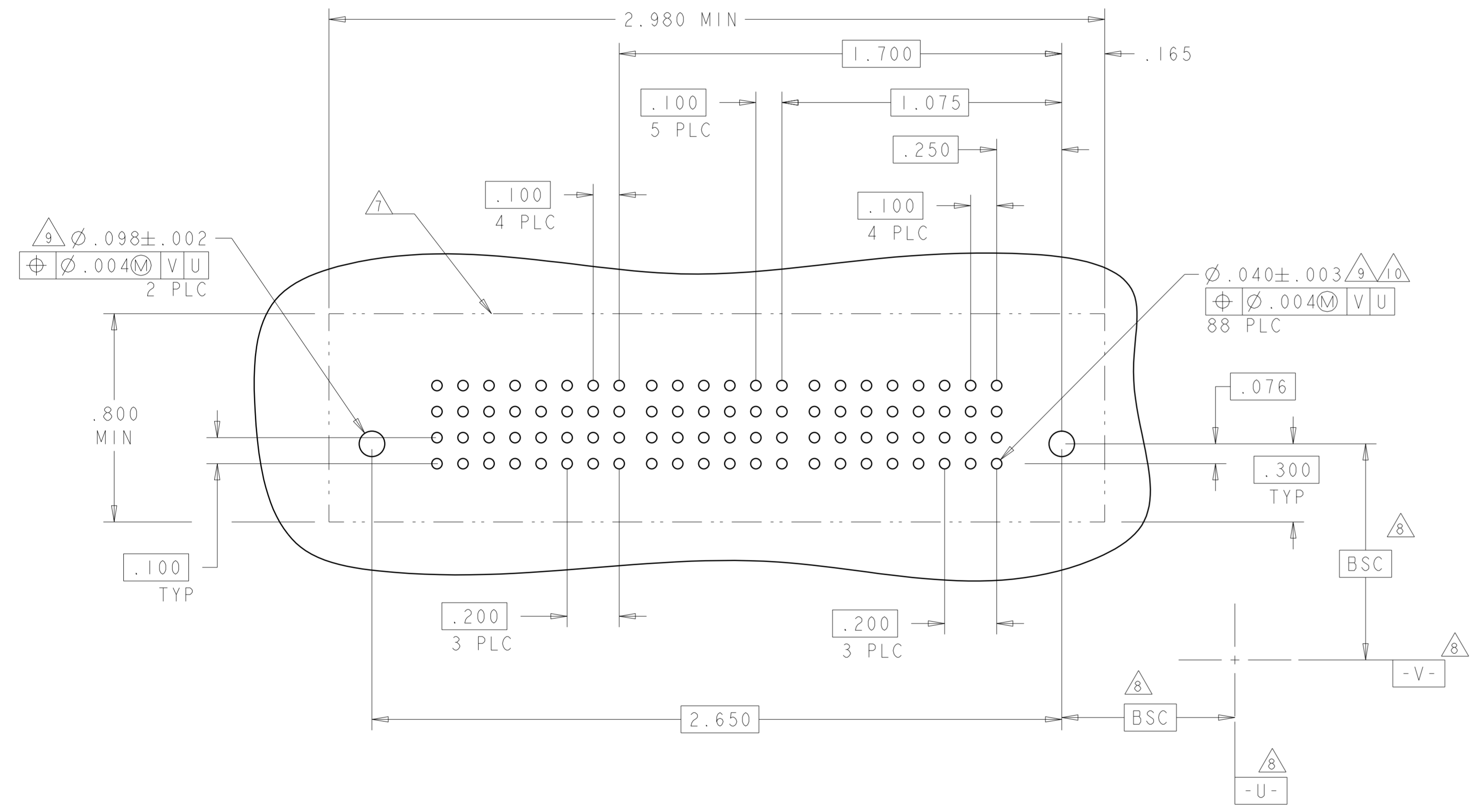


.450	1.900	1.225	.200	.200	2.950	2.650	2.600	4HDP + 24S + 4HDP	1892400-1
DIM K	DIM W	DIM R	DIM S	DIM T	DIM L	DIM D	DIM U	DESCRIPTION	PART NUMBER

DIMENSIONS: INCHES 0 PLC ±0.1 1 PLC ±0.01 2 PLC ±0.01 3 PLC ±0.005 4 PLC ±0.0020 ANGLES ±2°		TOLERANCES UNLESS OTHERWISE SPECIFIED: FINISH: △5 MATERIAL: △5		DWN: 9NOV2006 Drawn by: SINY ZHAO CHK: SINY ZHAO APVD: S. YAO PRODUCT SPEC: 108-1973 APPLICATION SPEC: 114-13038 WEIGHT: -		Tyco Electronics Shanghai, P.R. China, 200233 NAME: VERTICAL RECEPTACLE ASSEMBLY MULTI-BEAM XL, W/GUIDES HOLD DOWNS SIZE: A 00779 C=1892400 RESTRICTED TO: -	
CUSTOMER DRAWING				SCALE: 1:1		SHEET 1 OF 2 REV A	

LOC	DIST	REVISIONS			
ES	00	REV	DATE	BY	APVD
		1			
		2			
		3			
		4			
		5			
		6			
		7			
		8			
		9			
		10			

PART NUMBER	ROWS	POWER				SIGNAL					POWER				
		P8	P7	P6	P5	6	5	4	3	2	1	P4	P3	P2	P1
1892400-1	D C B A	VA	VA	VA	VA	E	E	E	E	E	E	VA	VA	VA	VA
						E	E	E	E	E	E	VA	VA	VA	VA
						E	E	E	E	E	E	VA	VA	VA	VA
						E	E	E	E	E	E	VA	VA	VA	VA
4HDP + 24S + 4HDP															



QTY	DESCRIPTION	IDENTIFIER
1	HOUSING, VERTICAL RECEPTACLE, MULTI-BEAM XL	HOUSING
2	HOLD DOWN	HD
24	RECEPTACLE SIGNAL CONTACT, .135 TAIL LENGTH	E
8	VERT. RECEPT. POWER CONTACT, MFBL, .135 TAIL LENGTH	VA

<small>THIS DRAWING IS A CONTROLLED DOCUMENT FOR TYCO ELECTRONICS CORPORATION. IT IS SUBJECT TO CHANGE AND THE CONTROLLING AND REVISION INFORMATION SHOULD BE CONTACTED FOR THE LATEST REVISION.</small>		DWN: 9NOV2006 CHK: DENNY ZHU SINY ZHAO APVD: S. YAO PRODUCT SPEC: - APPLICATION SPEC: - WEIGHT: - FINISH: -	Tyco Electronics Shanghai, P.R.China, 200233 NAME: S. YAO SIZE: A1 CASE CODE: 00779 DRAWING NO: C-1892400 RESTRICTED TO: - SCALE: 1:1 SHEET: 2 OF 2 REV: A
DIMENSIONS: INCHES TO DIMENSIONS UNLESS OTHERWISE SPECIFIED: 0 PLC ±0 1 PLC ±0.1 2 PLC ±0.01 3 PLC ±0.005 4 PLC ±0.0020 ANGLES ±2°		CUSTOMER DRAWING	