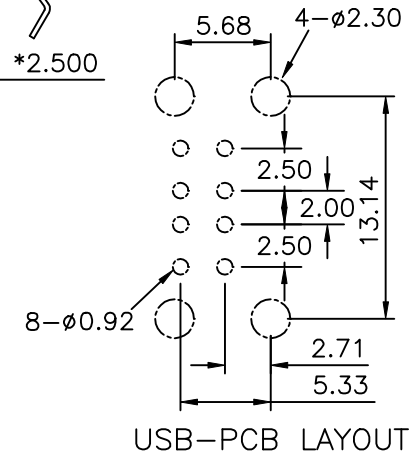
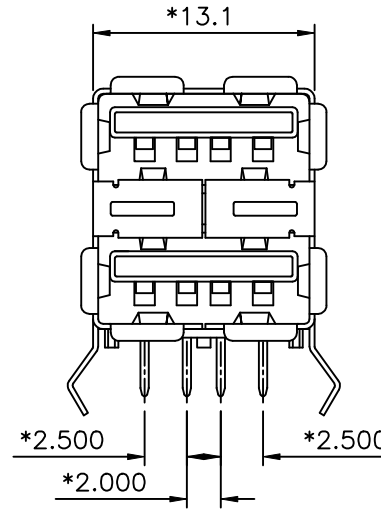
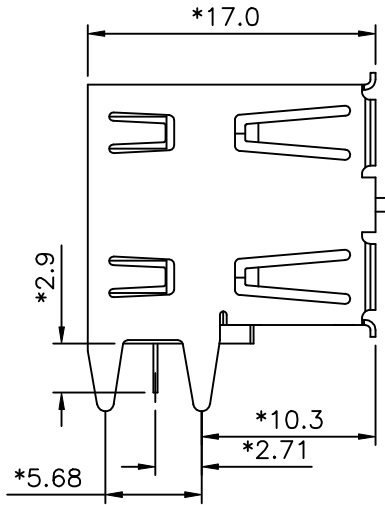
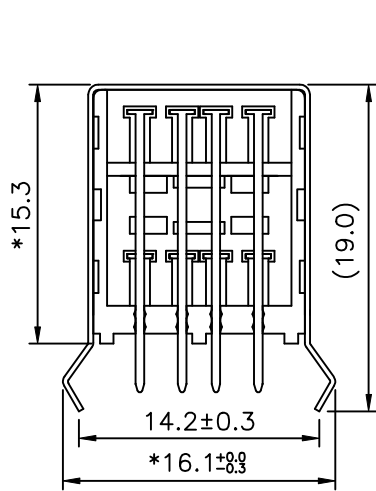
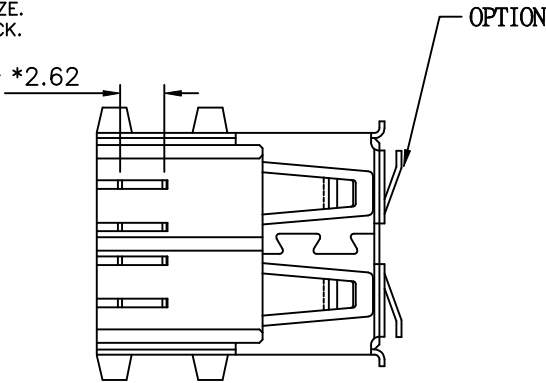


REVISION RECORD				
REV	ECO	DESCRIPTION	DRFT	CHKD



NOTES:

- MATERIAL:  
 TERMINAL-C5191 PHOSPHOR BRONZE HARD. (t=0.25mm)  
 SHIELD-(t=0.30mm)COPPER ALLOY OR PHOSPHOR BRONZE.  
 HOUSING-PBT+ 30% G.F. UL94V-0/COLOR:WHITE & BLACK.
- PLATING:  
 CONTACT-AREA-SELECTIVE PLATING. ON THE MATING END.  
 TAILS-150u" TIN-LEAD MIN OVER 50u" NICKEL.  
 SHIELD-120u" TIN-LEAD MIN OVER 50u" NICKEL.  
 OR 100u"~120u" NI OVER 40u" Cu.
- TOLERANCE: ±0.3mm, ±3°.
- GAP. 0.25mm (Max.)
- ELECTRICAL:  
 VOLTAGE RATING: 30 VAC RMS.  
 CURRENT RATING: 1.0 AMP  
 CONTACT RESISTANCE: 30 MILLIOHMS MAX  
 INSULATION RESISTANCE: 1000 MEGOHMS MIN @500 VDC  
 DIELECTRIC STRENGTH: 750 VAC RMS 60 HZ, 1 MIN  
 OPERATING LIFE: 1500 CYCLES MIN  
 MATING FORCE: 3.5 KGS MAX  
 UNMATING FORE: 1 KGS MIN  
 STORAGE: -40° C TO +85° C  
 OPERATION: 0° C TO 70° C  
 CAPACITANCE: 2 PF MAX 1KHZ  
 WAVE SOLDERING TEMPERATURE 230-250(3~5 SECONDS)
- Lead\_FreeP/N: E8144-1XXX2X-L



Shield FS0803(Made in MaxTop)

- 0-COPPER ALLOY
- 1-PHOSPHOR BRONZE
- SHIELD TYPE:
- 1-NICKEL
- 2-TIN LEAD
- A-NICKEL (NO FRONT TAP)
- B-TIN LEAD (NO FRONT TAP)
- 1-Au3u"
- 3-Au15u"
- 5-Au50u"
- 2-Au6u"
- 4-Au30u"
- 7-Pd30u"
- 0-A06-0080-L(BLACK)
- 3-A06-0010-L(WHITE)
- 7-A06-2230-L(YELLOW)

SHIELD TOOL:FS0803  
 HS'G TOOL:FR2711

MM (INCH)		DFTO Linger	DATE 3/28/05'
TOLERANCES EXCEPT AS NOTED		CHKDSIX	DATE2005/3/30
		MFO	DATE
		APPVLPETER	DATE2005/3/30
		MATERIAL : See note	
		QT'Y :	
		FINISH :	
		SCALE : 1:1	

FULL RISE ELECTRONIC CO., LTD			
TITLE USB A TYPE STACK			
DRAWING NO. GE813013_LC		SIZE A3	REV 0
/PART NO. SEE NOTE		3/28/05'	
DO NOT SCALE DRAWING		SHEET 1	OF 1