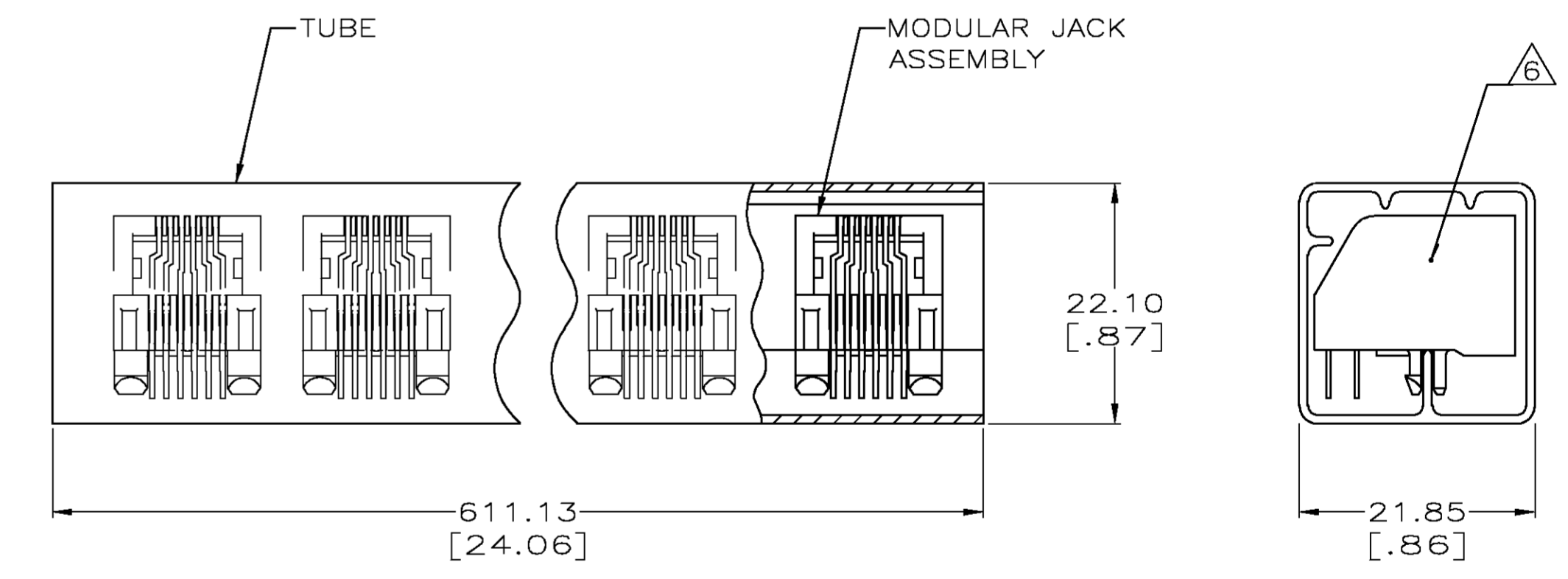
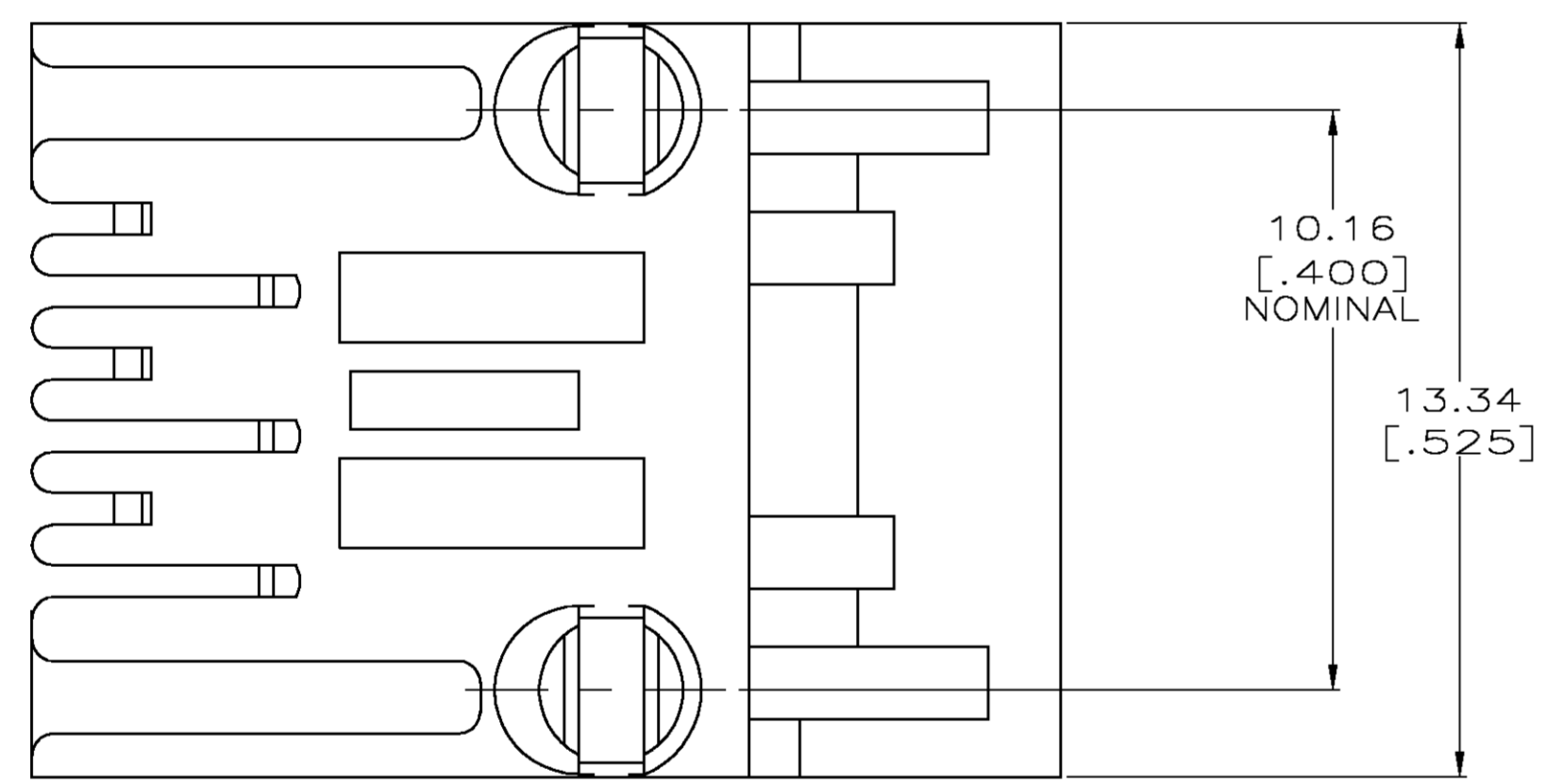
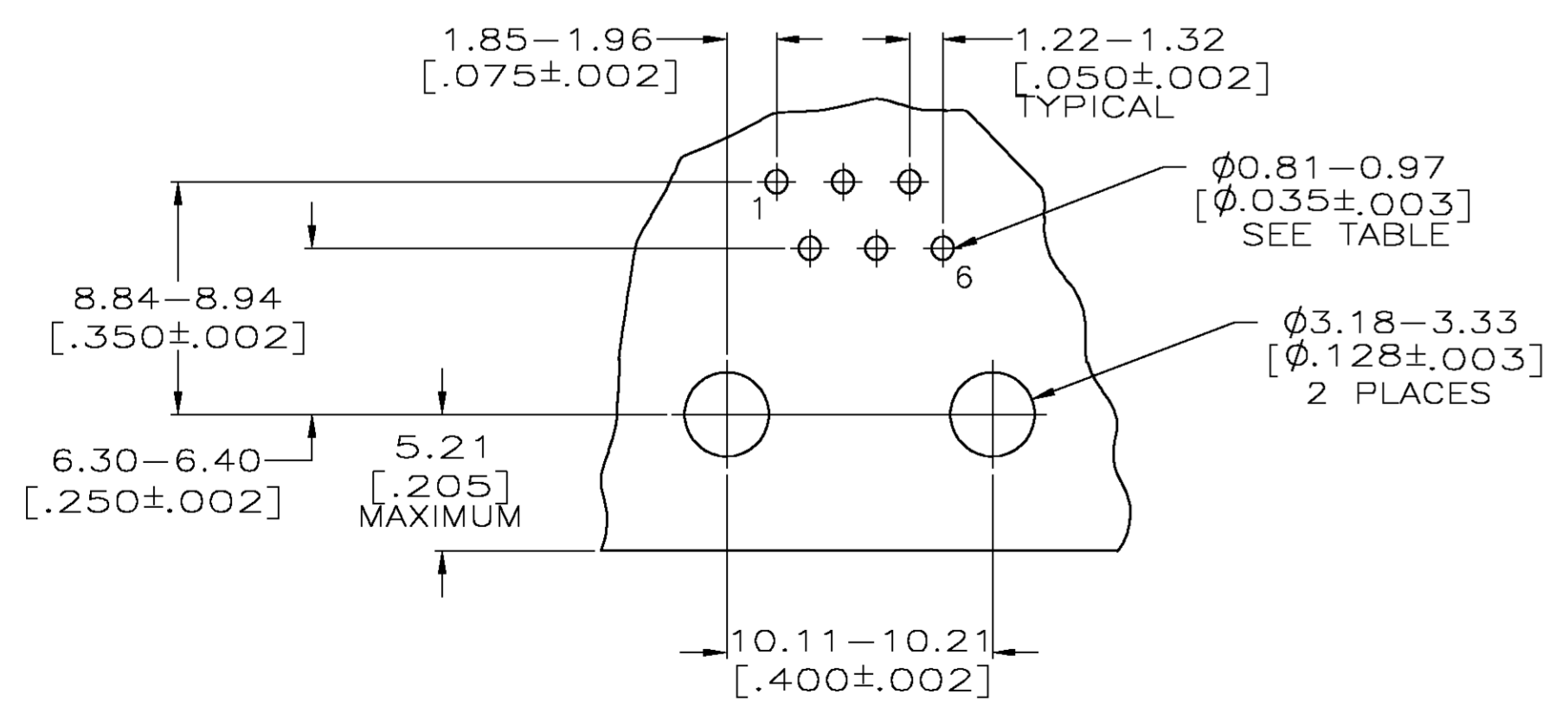


- ⚠ MATERIAL: HOUSING - PBT POLYESTER, SEE TABLE FOR COLOR.  
 TERMINAL - 0.35[.0138] THICK PHOSPHOROUS-BRONZE PLATED WITH 1.27μm[.000050] THICK HARD GOLD IN LOCALIZED GOLD PLATE AREA AND 2.03μm[.000080] THICK TIN LEAD IN SOLDER AREA OVER 1.27μm[.000050] THICK NICKEL UNDERPLATE.
- ⚠ CAVITY CONFORMS TO FCC RULES AND REGULATIONS PART 68, SUBPART F.
- ⚠ DIMENSIONS ARE MAXIMUM UNLESS OTHERWISE SPECIFIED.
- ⚠ TERMINALS FOR 555165-2, -7 AND -8 LOCATED IN FOUR CENTER POSITIONS.
- ⚠ BULK PACKAGED IN A TRAY.
- ⚠ PACKAGED 43 ASSEMBLIES PER TUBE WITH BOTH ENDS CLOSED. SEE DETAIL A.
- ⚠ TERMINALS FOR 555165-5 AND -6 LOCATED IN TWO CENTER POSITIONS.



DETAIL A  
SCALE 2:1



SUGGESTED PRINTED CIRCUIT BOARD  
 MOUNTING HOLE LAYOUT  
 VIEW SHOWN AS COMPONENT SIDE OF BOARD  
 SCALE 4:1

TERMINAL	POSITION	COLOR	HOLES REQUIRED	PACKAGED	TERMINALS REQUIRED	PART NUMBER
OBsolete	2	BLACK	6	5	6	555165-9
	3	GRAY	CENTER 4	5	4	555165-8
	4	BLACK	CENTER 4	5	4	555165-7
	5	GRAY	CENTER 2	5	2	555165-6
	6		CENTER 2	5	2	555165-5
	7	BLACK	6	6	6	555165-4
	8		CENTER 4	5	4	555165-2
	9		6	5	6	555165-1
		CUTOFF DIMENSION A				

THIS DRAWING IS A CONTROLLED DOCUMENT.

DIMENSIONS: MM [INCHES]	TOLERANCES UNLESS OTHERWISE SPECIFIED:	DIN D. STRAUSSER 05 APR 94	APVD J. TONEY 14 APR 94	NAME: MODULAR JACK ASSEMBLY, 6 POSITION, LOW PROFILE, RIGHT ANGLE, WITHOUT PANEL STOPS
0 PLC ± -	1 PLC ± -	2 PLC ± -	3 PLC ± -	4 PLC ± -
ANGLES ± -	FINISH ± -	APVD C. WHITT 07 APR 94	SIZE: A1	CAGE CODE: 00779
MATERIAL: PBT POLYESTER	FINISH: PHOSPHOROUS-BRONZE PLATED WITH HARD GOLD AND TIN LEAD	REVISIONS: 05 APR 94	DRAWING NO: 114-2048	RESTRICTED TO: CUSTOMER DRAWING

Tyco Electronics Corporation  
 Winston-Salem NC 27101

SCALE: 8:1 SHEET: 1 OF 1 REV: N