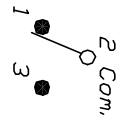


RECOMMENDED PANEL MOUNTING



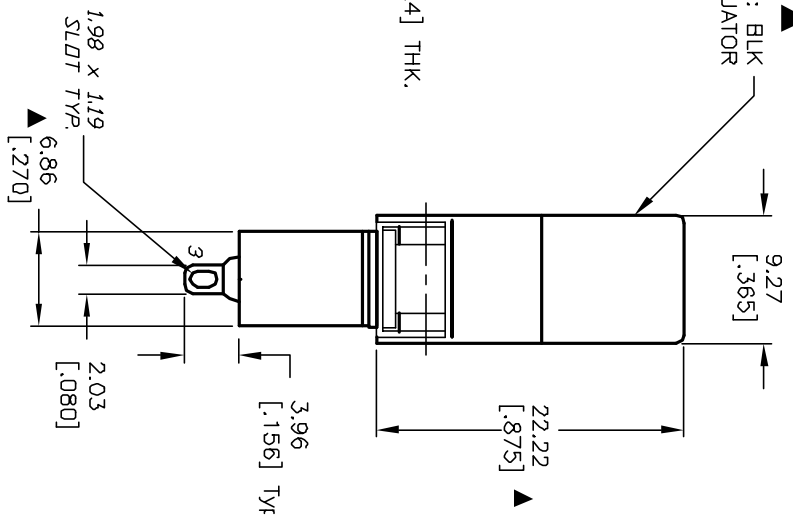
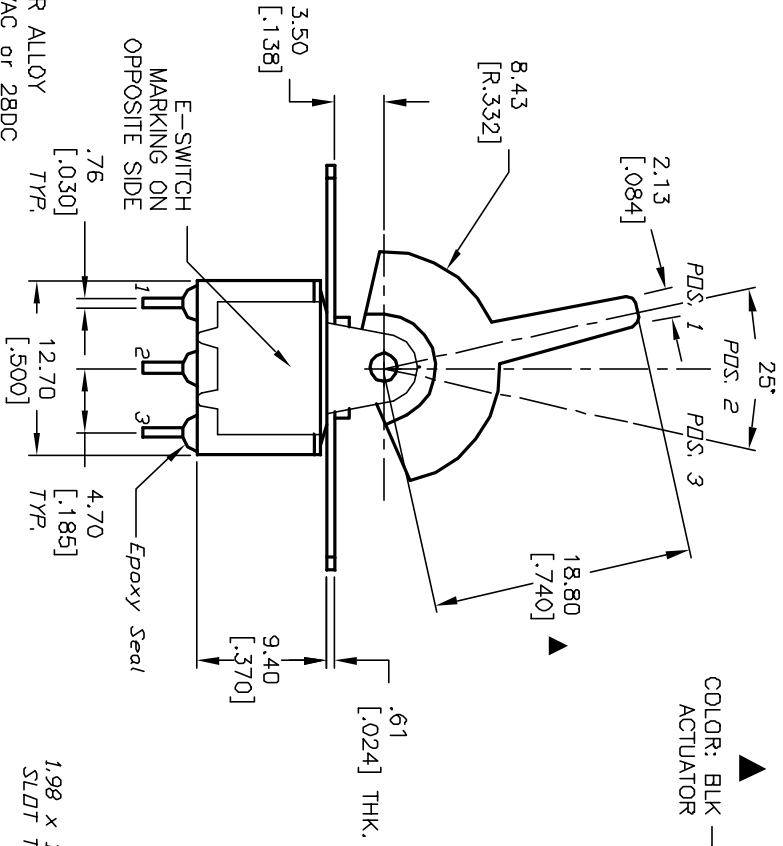
CIRCUIT: SPDT

CONTACT CONFIGURATION

SWITCH FUNCTION		
PDS. 1	PDS. 2	PDS. 3
<DN>	OFF	<DN>
2-3	OPEN	2-1

NOTES:

1. ALL DIMENSIONS IN MM [INCH]
2. GENERAL TOLERANCE: X.X=±0.4; X.XX=±0.25
3. TERM. NOS. FOR REF. ONLY
4. FIXED AND MOVING CONTACTS: SILVER PLATED COPPER ALLOY
5. CONTACT RATING: 5 AMPS W/RESISTIVE LOAD @ 120VAC or 28DC  
2 AMPS W/RESISTIVE LOAD @ 250VAC
6. ELECTRICAL LIFE: 50,000 make-and-break cycles at full load.
7. INSULATION RESISTANCE: 1,000M ohm min.
8. DIELECTRIC STRENGTH: 1,000 V RMS @sea level
9. OPERATION TEMP.: -30°C to 85°C
10. ▲ DENOTES CRITICAL PARAMETER.



COLOR: BLK ACTUATOR

**E-SWITCH®**

300SP4R2BLKM1QE

REV.	ECN No.	DESCRIPTION	DATE	CHKD
A	13074	RELEASED FOR PRODUCTION	4/23/03	AR

SCALE	DATE	DR	DWG	REV
2:1	4/23/03	AR	T314068	A

THE INFORMATION CONTAINED IN THIS DOCUMENT IS PROPRIETARY TO E-SWITCH AND IS NOT TO BE COPIED OR TRANSFERRED