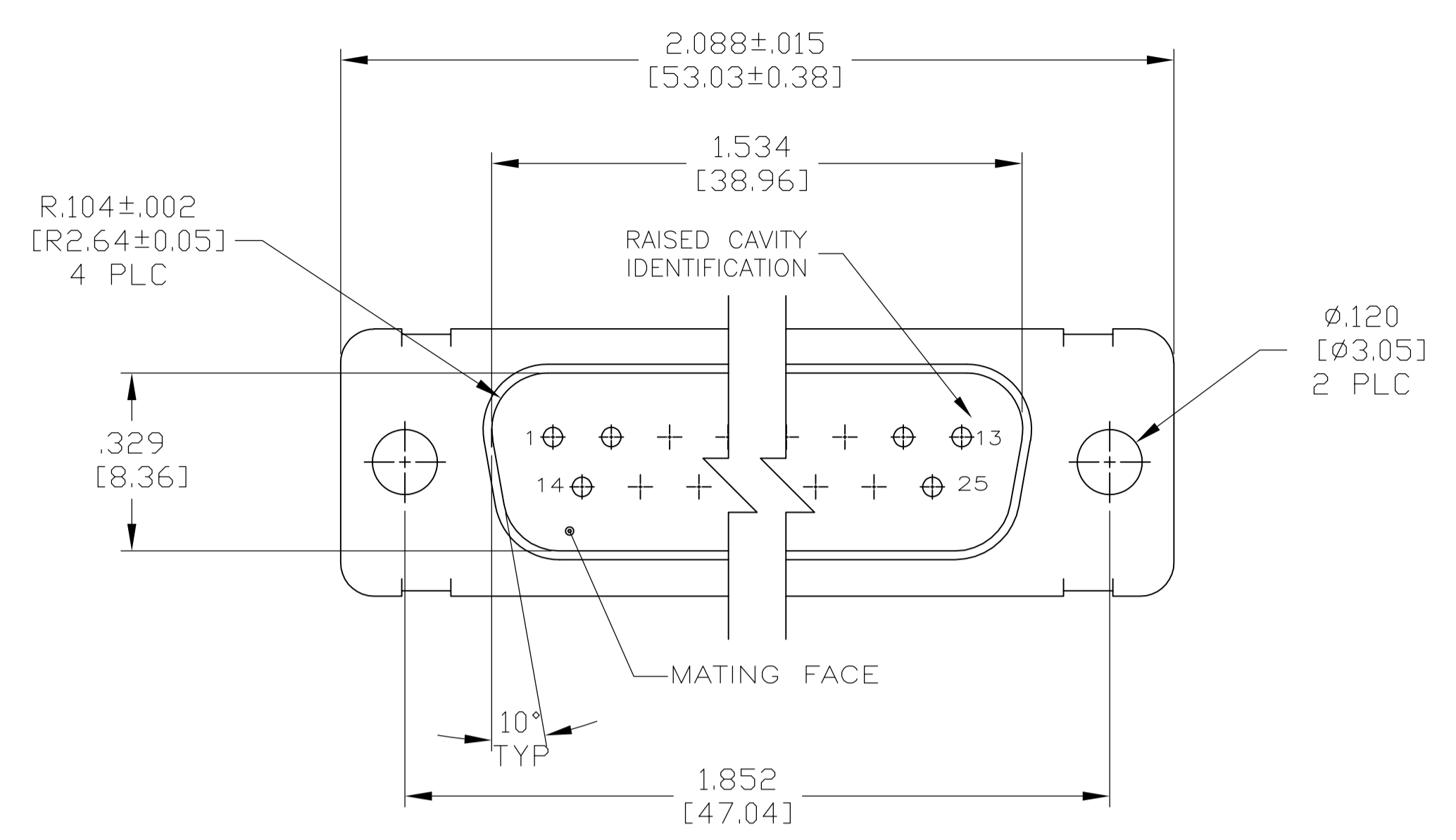
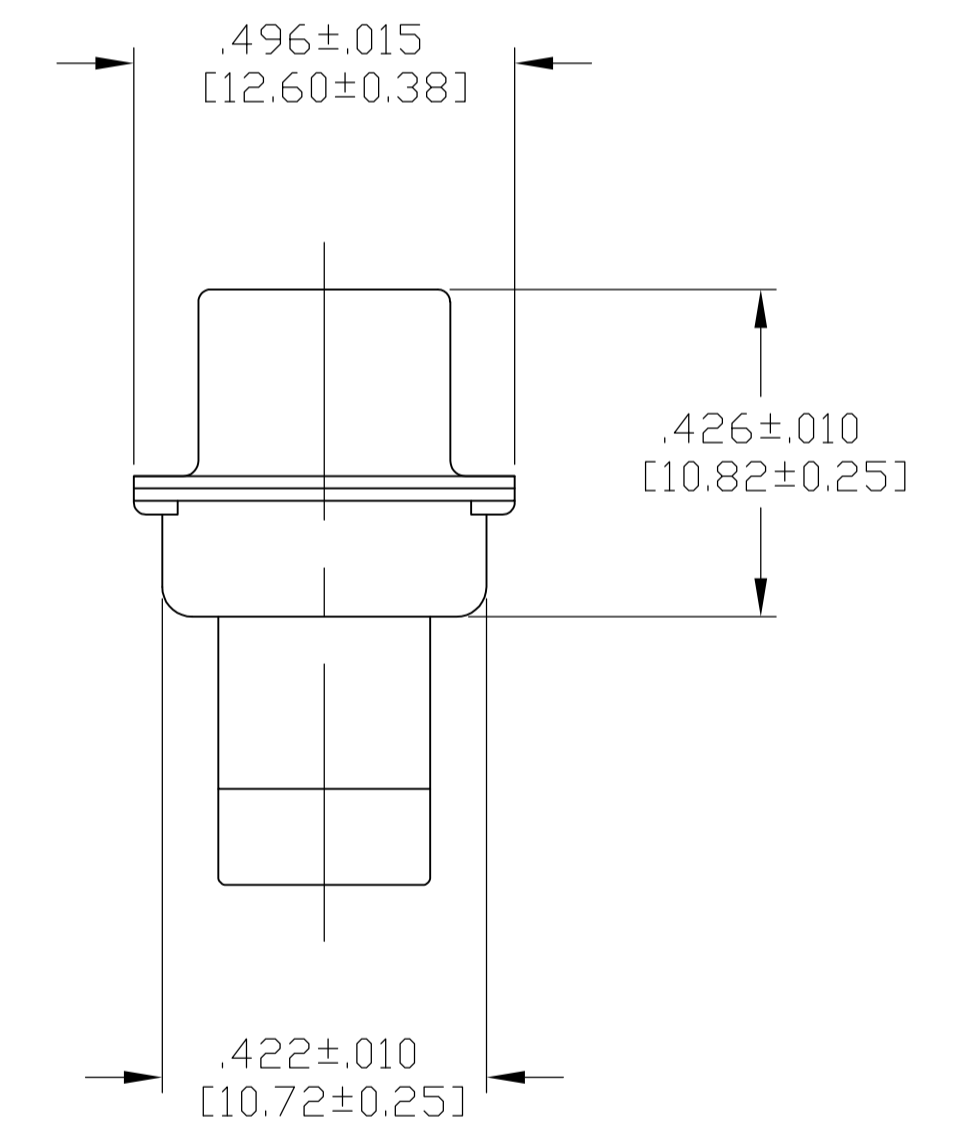
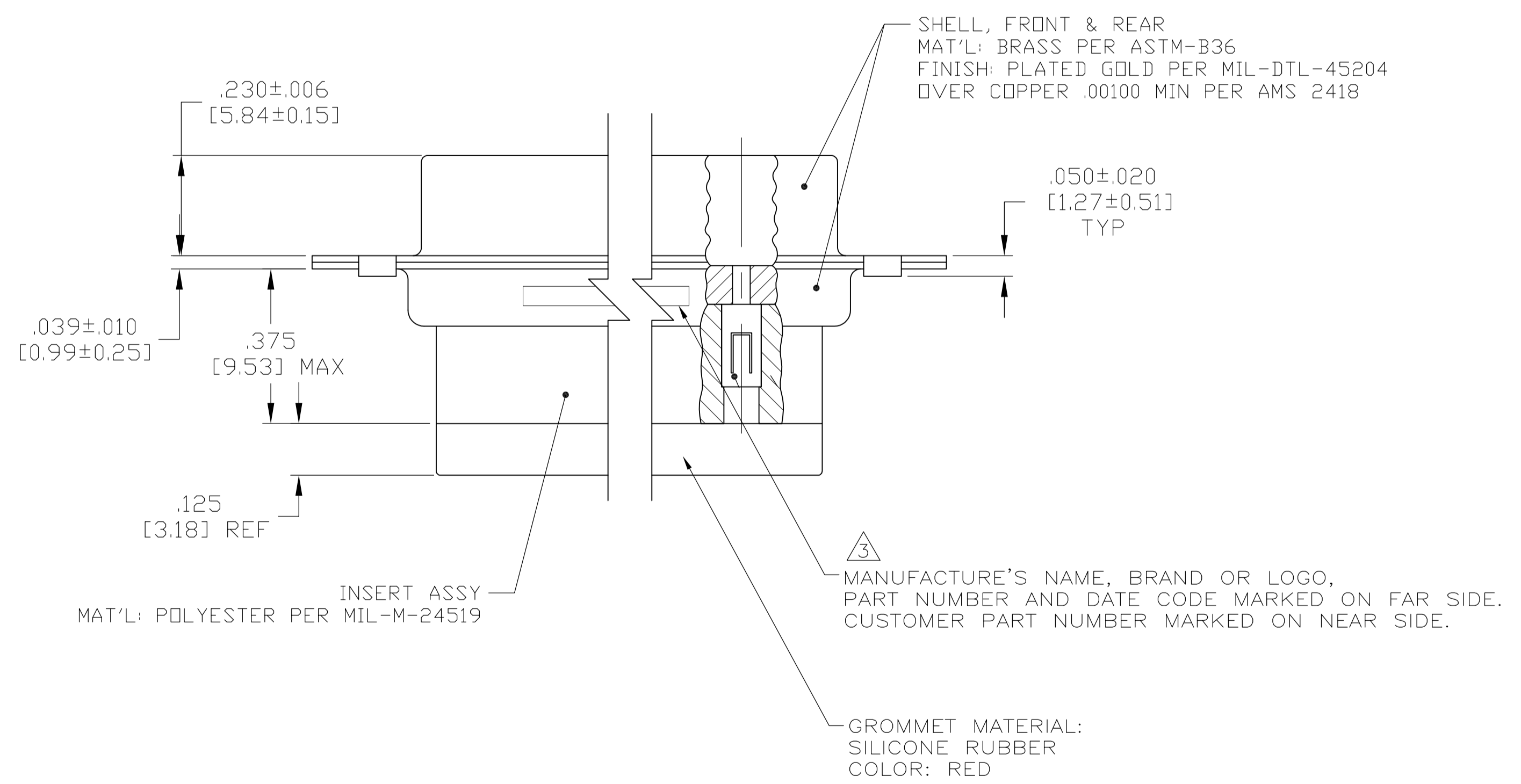


LOC		DIST		REVISIONS			
P	LTR	DESCRIPTION	DATE	DN	APVD	RM	RL
H	REV PER ECO	12-016000	18SEP12	RM	RL		



1. THIS CONNECTOR ASSEMBLY IS SUPPLIED WITH Be Cu CONTACT RETENTION CLIPS INSTALLED IN THE INSERT ASSEMBLY.
  2. THIS CONNECTOR ASSEMBLY MATES WITH ANY PLUG CONNECTOR WITH THE SAME INSERT ARRANGEMENT AND DIMENSIONAL REQUIREMENTS PER MIL-C-24308.
  3. MARKED WITH .047 [1.19]-.062 [1.57] HIGH CHARACTERS. FAR SIDE REFERS TO THE WIDE SIDE OF THE KEYSTONE. NEAR SIDE REFERS TO THE NARROW SIDE OF THE KEYSTONE.
  4. MAXIMUM WIRE INSULATION TO BE USED WITH THIS CONNECTOR ASSEMBLY IS .068 [1.73] DIAMETER.
5. SPECIAL REQUIREMENTS PER BOEING 1A01 DOCUMENT.
6. BUILT TO ORDER, NO INVENTORY OF THIS PART NUMBER IS TO BE KEPT. SINGLE LOT DATE CODE REQUIRED.



REMARKS	CUSTOMER MARKING	PART NUMBER
6 7	1A01-028PHW	1-211640-1
--	---	211640-4
7	2A014-033V-001	211640-2
6 7	1A01-028PHA	211640-1

THIS DRAWING IS A CONTROLLED DOCUMENT.

APPROVED: C.C. THOMAS, 4-9-09  
 CHECKED: R. LEASE, 4-9-09  
 RELEASED: R. LEASE, 4-9-09

APPLICABLE SPECIFICATIONS:  
 MIL-C-24308 (1)  
 MIL-DTL-45204 (1)  
 MIL-M-24519 (1)

STE TE Connectivity

NAME: PLUG ASSY., AMPLIMITE.25 POSN., SIZE 3, SERIES 109 WITH GROMMET, NON-MAGNETIC

SIZE: A1  
 CASE CODE: 00779  
 DRAWING NO: 211640  
 WEIGHT: --  
 RESTRICTED TO: --

CUSTOMER DRAWING SCALE: 4:1 SHEET: 1 OF 1 REV: H